

# INTERNATIONAL STANDARD

# NORME INTERNATIONALE



---

**Cable networks for television signals, sound signals and interactive services –  
Part 101: System performance of forward paths loaded with digital channels only**

**Réseaux de distribution par câbles pour signaux de télévision, signaux de  
radiodiffusion sonore et services interactifs –  
Partie 101: Performances des systèmes de voie directe soumis à une charge de  
porteuses exclusivement numériques**

INTERNATIONAL  
ELECTROTECHNICAL  
COMMISSION

COMMISSION  
ELECTROTECHNIQUE  
INTERNATIONALE

---

ICS 33.040.20; 33.160.01

ISBN 978-2-8322-3288-0

**Warning! Make sure that you obtained this publication from an authorized distributor.  
Attention! Veuillez vous assurer que vous avez obtenu cette publication via un distributeur agréé.**

## CONTENTS

FOREWORD.....	8
INTRODUCTION.....	10
1 Scope.....	15
2 Normative references .....	15
3 Terms, definitions, symbols and abbreviations.....	17
3.1 Terms and definitions .....	17
3.2 Symbols.....	29
3.3 Abbreviations .....	31
4 Methods of measurement at system outlet.....	33
4.1 General.....	33
4.2 Basic assumptions and measurement interfaces .....	34
4.3 Signal level .....	37
4.3.1 General .....	37
4.3.2 Equipment required.....	38
4.3.3 Connection of the equipment.....	38
4.3.4 Measurement procedure.....	38
4.3.5 Presentation of the results.....	39
4.4 RF signal-to-intermodulation and noise ratio $S/IN$ .....	39
4.4.1 General .....	39
4.4.2 Equipment required.....	39
4.4.3 Connection of the equipment.....	40
4.4.4 Measurement procedure.....	40
4.4.5 Presentation of the results.....	40
4.5 Bit error ratio ( $BER$ ) .....	40
4.5.1 General .....	40
4.5.2 Equipment required.....	41
4.5.3 Connection of the equipment.....	41
4.5.4 Measurement procedure.....	41
4.5.5 Presentation of the results.....	42
4.6 $BER$ versus $S/IN$ .....	42
4.6.1 General .....	42
4.6.2 Equipment required.....	42
4.6.3 Connection of the equipment.....	43
4.6.4 Measurement procedure.....	43
4.6.5 Presentation of the results.....	44
4.7 System operating levels and margins.....	45
4.7.1 General .....	45
4.7.2 White noise signal margin ( $SM_{WN}$ ).....	47
4.7.3 Intermodulation noise signal margin ( $SM_{IN}$ ) .....	48
4.8 Modulation error ratio ( $MER$ ).....	50
4.8.1 General .....	50
4.8.2 Equipment required.....	50
4.8.3 Connection of the equipment.....	50
4.8.4 Measurement procedure.....	51
4.8.5 Presentation of the results.....	52
4.9 Phase jitter .....	52

4.9.1	General .....	52
4.9.2	Equipment required.....	52
4.9.3	Connection of the equipment.....	53
4.9.4	Measurement procedures.....	53
4.9.5	Presentation of the results.....	55
4.10	Phase noise of an RF carrier .....	55
4.10.1	General .....	55
4.10.2	Equipment required.....	55
4.10.3	Connection of the equipment.....	56
4.10.4	Measurement procedure.....	56
4.10.5	Presentation of the results.....	57
4.11	Mutual isolation between system outlets .....	58
4.11.1	General .....	58
4.11.2	Equipment required.....	58
4.11.3	Connection of the equipment.....	58
4.11.4	Measurement procedure.....	58
4.11.5	Presentation of the results.....	59
4.12	Amplitude response within a channel.....	59
4.12.1	General .....	59
4.12.2	Equipment required.....	59
4.12.3	Connection of the equipment.....	60
4.12.4	Measurement procedure.....	60
4.12.5	Presentation of the results.....	62
4.13	Non-linear distortion.....	62
4.13.1	General .....	62
4.13.2	Intermodulation .....	62
4.13.3	Composite crossmodulation.....	62
5	Performance requirements at system outlet.....	62
5.1	General requirements.....	62
5.2	Overview .....	62
5.3	Impedance .....	62
5.4	Requirements at the terminal input .....	63
5.4.1	General .....	63
5.4.2	Signal level.....	63
5.4.3	Other parameters.....	63
5.5	RF signal levels at system outlets.....	63
5.5.1	Minimum and maximum RF signal levels.....	63
5.5.2	RF signal level differences .....	65
5.6	Mutual isolation between system outlets .....	66
5.6.1	Isolation between two subscribers .....	66
5.6.2	Isolation between individual outlets in one household .....	66
5.6.3	Isolation between forward and return paths.....	66
5.7	Frequency response within a television channel at any system outlet .....	67
5.7.1	Amplitude response .....	67
5.7.2	Group delay.....	67
5.8	Long-term frequency stability of distributed signals at any system outlet.....	68
5.9	Random noise.....	69
5.10	Interference to television channels .....	71
5.10.1	Single-frequency interference.....	71

5.10.2	Intermodulation noise.....	71
5.11	DVB (PSK, QAM, OFDM) additional performance requirements.....	71
5.11.1	<i>BER</i> .....	71
5.11.2	<i>PER</i> .....	71
5.11.3	White noise signal margin ( $SM_{WN}$ ).....	71
5.11.4	Intermodulation noise signal margin ( $SM_{IN}$ ).....	72
5.11.5	<i>MER</i> .....	72
5.11.6	Phase noise of a DVB signal .....	72
5.12	DAB performance.....	73
6	Performance requirements at receiving antennas .....	74
6.1	General.....	74
6.2	Method of measurement of field strength .....	74
6.2.1	General .....	74
6.2.2	Equipment required.....	74
6.2.3	Connection of the equipment.....	74
6.2.4	Measurement procedure.....	75
6.2.5	Presentation of the results.....	75
6.3	Requirements.....	75
6.3.1	General .....	75
6.3.2	Field strength requirements.....	76
6.3.3	Quality of received signals .....	77
6.3.4	Safety.....	80
6.3.5	Electromagnetic compatibility (EMC) .....	80
6.4	Interference reduction .....	80
6.4.1	General .....	80
6.4.2	Active antennas .....	80
7	Performance requirements at home network interfaces of cable networks .....	80
7.1	General.....	80
7.2	Requirements at HNI1 for passive coaxial home networks.....	81
7.2.1	General .....	81
7.2.2	Signal levels at the HNI1 .....	82
7.2.3	Mutual isolation between two HNI1 .....	84
7.2.4	Frequency response within any television channel at the HNI1.....	84
7.2.5	Long-term frequency stability of distributed RF signals at HNI1 .....	85
7.2.6	Random noise at the HNI1 .....	85
7.2.7	Interference to television channels at the HNI1 .....	85
7.2.8	Return path requirements at the HNI1.....	86
7.3	Requirements at HNI2 for active coaxial home networks .....	86
7.3.1	General .....	86
7.3.2	RF signal levels at the HNI2 .....	86
7.3.3	Mutual isolation between two HNI2.....	89
7.3.4	Frequency response within any television channel at the HNI2.....	89
7.3.5	Long-term frequency stability of distributed RF signals at HNI2 .....	90
7.3.6	Random noise at HNI2 .....	90
7.3.7	Interference to television channels at the HNI2 .....	92
7.3.8	Return path requirements at the HNI2.....	93
7.4	Requirements at HNI3 and at system outlet or terminal input when the home network is mainly of balanced type .....	93

7.4.1	General .....	93
7.4.2	Requirements at HNI3 .....	93
7.4.3	Requirements at system output .....	93
7.4.4	Additional requirements at HNI3 for upstream transmission .....	94
7.5	Requirements at HNI3 (case C) .....	94
7.6	Requirements at HNI3 (case D) .....	94
Annex A (normative) Correction factors for noise .....		96
A.1	Signal level measurement .....	96
A.2	Noise level measurement .....	96
Annex B (normative) Null packet and PRBS definitions .....		98
B.1	Null packet definition .....	98
B.2	PRBS definition .....	99
Annex C (normative) Digital signal level and bandwidth .....		100
C.1	RF/IF power ("carrier") .....	100
C.2	Bandwidth of a digital signal .....	100
C.2.1	Occupied bandwidth .....	100
C.2.2	Noise bandwidth .....	101
C.2.3	Equivalent signal bandwidth .....	101
C.3	Examples .....	102
Annex D (normative) Correction factor for a spectrum analyser .....		103
Annex E (informative) Differences in some countries .....		104
E.1	Subclause 3.1.48, Norway .....	104
E.2	Subclause 5.5.1, Japan .....	104
E.3	Subclause 5.5.2, Japan .....	104
E.4	Subclause 5.6.1, Japan .....	105
E.5	Subclause 5.7.1, Japan .....	105
E.6	Subclause 5.7.2 Japan .....	105
E.7	Subclause 5.8, Japan .....	105
E.8	Subclause 5.9, Japan .....	105
E.9	Subclause 5.10.1, Japan .....	105
E.10	Subclause 5.11.6, Japan .....	106
E.11	Subclause 6.3.3, Japan .....	107
E.12	Clause 7, Japan .....	107
Bibliography .....		108
Figure 1 – Example of a master antenna television system (MATV) for terrestrial reception .....		11
Figure 2 – Example of the headend of a master antenna television system for satellite (SMATV) reception .....		12
Figure 3 – Example of a master antenna television system for terrestrial and satellite (SMATV) reception .....		12
Figure 4 – Example of a cabled distribution system for television and sound signals .....		13
Figure 5 – System model for downstream direction of a cable network for television and sound signals (CATV) .....		14
Figure 6 – PSK modulation (QPSK, BPSK or TC8PSK) .....		34
Figure 7 – DVB-S2 modulation (QPSK, 8PSK, 16APSK, 32APSK) .....		34
Figure 8 – DVB-C QAM modulation .....		34
Figure 9 – DVB-C2 QAM modulation .....		35

Figure 10 – DVB-T OFDM modulation .....	35
Figure 11 – DVB-T2 OFDM modulation.....	35
Figure 12 – Reference receiver for PSK demodulation (QPSK, BPSK or TC8PSK) .....	36
Figure 13 – Reference receiver for DVB-S2 demodulation (QPSK, 8PSK, 16APSK, 32APSK) .....	36
Figure 14 – Reference receiver for DVB-C QAM demodulation.....	36
Figure 15 – Reference receiver for DVB-C2 demodulation .....	36
Figure 16 – Reference receiver for DVB-T OFDM demodulation.....	37
Figure 17 – Reference receiver (buffer model) for DVB-T2 OFDM demodulation.....	37
Figure 18 – Test set-up for <i>BER</i> measurement.....	41
Figure 19 – Test set-up for BER measurement versus <i>S/N</i> .....	43
Figure 20 – Example of <i>BER</i> measurement versus <i>S/N</i> .....	45
Figure 21 – Example of <i>S/IIN</i> and <i>BER</i> versus signal level <i>S</i> for a cable network without optical link .....	46
Figure 22 – Optical and coaxial subsystems of an HFC network.....	46
Figure 23 – Test set-up for $SM_{WN}$ and $SM_{IN}$ measurement.....	48
Figure 24 – Test set-up for modulation error ratio ( <i>MER</i> ) measurement and phase jitter measurement.....	51
Figure 25 – Example of constellation diagram for a 64 QAM modulation format .....	52
Figure 26 – Example of constellation diagram for a 64 QAM modulation format with arcs due to phase jitter .....	54
Figure 27 – Test set-up for phase noise measurement.....	56
Figure 28 – Example of mask for phase noise measurements: PSK, APSK and QAM formats.....	57
Figure 29 – Example of mask for phase noise measurements: OFDM format.....	57
Figure 30 – Arrangement of test equipment for measurement of mutual isolation between system outlets.....	58
Figure 31 – Arrangement of test equipment for measurement of frequency response within a channel.....	60
Figure 32 – Interpretation of displays for measurement of frequency response within a channel .....	61
Figure 33 – Home network types used to define the requirements at several HNI types (coaxial) .....	81
Figure A.1 – Noise correction factor <i>CF</i> versus measured level difference <i>D</i> .....	97
Figure E.1 – Single-frequency interference (64 QAM digital) (Japan).....	106
Figure E.2 – Single-frequency interference (256 QAM digital) (Japan).....	106
Table 1 – Application of the methods of measurement .....	33
Table 2 – Frequency distance $f_m$ .....	57
Table 3 – Digital signal levels at any system outlet .....	64
Table 4 – Maximum level differences at any system outlet between distributed television channels .....	66
Table 5 – Residual carrier level at television or FM radio output within the same outlet or between two different outlets .....	67
Table 6 – Amplitude response variation.....	67
Table 7 – Group delay variation .....	68

Table 8 – Maximum deviation of conversion frequency for digitally modulated DVB signals.....	68
Table 9 – RF signal-to noise ratio at system outlet.....	69
Table 10 – Modulation error ratio <i>MER</i> of DVB signals .....	72
Table 11 – Phase noise of a DVB signal (PSK, APSK and QAM).....	73
Table 12 – Phase noise of a DVB-T or DVB-C2 signal (COFDM).....	73
Table 13 – Minimum field strength levels recommended by CEPT [3] .....	76
Table 14 – Minimum signal level at the headend input for the reception of DAB signals .....	77
Table 15 – Minimum signal level and RF signal-to-noise ratio at the headend input for stationary reception of DVB-T signals.....	77
Table 16 – Minimum signal-to-noise ratio <i>S/N</i> at the headend input for DVB-T2 signals.....	78
Table 17 – Minimum RF signal-to-noise ratio at the headend input for the reception of DVB-S or DVB-S2 satellite signals .....	79
Table 18 – Signal level at HNI1 .....	82
Table 19 – Maximum level differences at HNI1 .....	84
Table 20 – Amplitude response variation at HNI1 .....	85
Table 21 – Group delay variation at HNI1 .....	85
Table 22 – Signal level at HNI2 .....	87
Table 23 – Maximum level differences at HNI2 .....	89
Table 24 – Amplitude response variation at HNI2 .....	90
Table 25 – Group delay variation at HNI2 .....	90
Table 26 – Minimum RF signal-to-noise ratios at HNI2.....	91
Table 27 – Minimum signal level at coaxial terminal input (case A) or at coaxial system outlet (case B) .....	94
Table A.1 – Noise correction factor .....	96
Table B.1 – Null transport stream packet definition .....	98
Table C.1 – Examples of bandwidths for digital modulation techniques .....	102

## INTERNATIONAL ELECTROTECHNICAL COMMISSION

**CABLE NETWORKS FOR TELEVISION SIGNALS,  
SOUND SIGNALS AND INTERACTIVE SERVICES –****Part 101: System performance of forward paths  
loaded with digital channels only**

## FOREWORD

- 1) The International Electrotechnical Commission (IEC) is a worldwide organization for standardization comprising all national electrotechnical committees (IEC National Committees). The object of IEC is to promote international co-operation on all questions concerning standardization in the electrical and electronic fields. To this end and in addition to other activities, IEC publishes International Standards, Technical Specifications, Technical Reports, Publicly Available Specifications (PAS) and Guides (hereafter referred to as "IEC Publication(s)"). Their preparation is entrusted to technical committees; any IEC National Committee interested in the subject dealt with may participate in this preparatory work. International, governmental and non-governmental organizations liaising with the IEC also participate in this preparation. IEC collaborates closely with the International Organization for Standardization (ISO) in accordance with conditions determined by agreement between the two organizations.
- 2) The formal decisions or agreements of IEC on technical matters express, as nearly as possible, an international consensus of opinion on the relevant subjects since each technical committee has representation from all interested IEC National Committees.
- 3) IEC Publications have the form of recommendations for international use and are accepted by IEC National Committees in that sense. While all reasonable efforts are made to ensure that the technical content of IEC Publications is accurate, IEC cannot be held responsible for the way in which they are used or for any misinterpretation by any end user.
- 4) In order to promote international uniformity, IEC National Committees undertake to apply IEC Publications transparently to the maximum extent possible in their national and regional publications. Any divergence between any IEC Publication and the corresponding national or regional publication shall be clearly indicated in the latter.
- 5) IEC itself does not provide any attestation of conformity. Independent certification bodies provide conformity assessment services and, in some areas, access to IEC marks of conformity. IEC is not responsible for any services carried out by independent certification bodies.
- 6) All users should ensure that they have the latest edition of this publication.
- 7) No liability shall attach to IEC or its directors, employees, servants or agents including individual experts and members of its technical committees and IEC National Committees for any personal injury, property damage or other damage of any nature whatsoever, whether direct or indirect, or for costs (including legal fees) and expenses arising out of the publication, use of, or reliance upon, this IEC Publication or any other IEC Publications.
- 8) Attention is drawn to the Normative references cited in this publication. Use of the referenced publications is indispensable for the correct application of this publication.
- 9) Attention is drawn to the possibility that some of the elements of this IEC Publication may be the subject of patent rights. IEC shall not be held responsible for identifying any or all such patent rights.

International Standard IEC 60728-101 has been prepared by technical area 5: Cable networks for television signals, sound signals and interactive services, of IEC technical committee 100: Audio, video and multimedia systems and equipment.

The text of this standard is based on the following documents:

FDIS	Report on voting
100/2641/FDIS	100/2668/RVD

Full information on the voting for the approval of this standard can be found in the report on voting indicated in the above table.

This publication has been drafted in accordance with the ISO/IEC Directives, Part 2.



The list of all the parts of the IEC 60728 series, under the general title *Cable networks for television signals, sound signals and interactive services*, can be found on the IEC website.

For the differences in some countries, see Annex E.

The committee has decided that the contents of this publication will remain unchanged until the stability date indicated on the IEC website under "<http://webstore.iec.ch>" in the data related to the specific publication. At this date, the publication will be

- reconfirmed,
- withdrawn,
- replaced by a revised edition, or
- amended.

**IMPORTANT – The 'colour inside' logo on the cover page of this publication indicates that it contains colours which are considered to be useful for the correct understanding of its contents. Users should therefore print this document using a colour printer.**

## INTRODUCTION

Standards and deliverables of the IEC 60728 series deal with cable networks including equipment and associated methods of measurement for headend reception, processing and distribution of television and sound signals and for processing, interfacing and transmitting all kinds of data signals for interactive services using all applicable transmission media. These signals are typically transmitted in networks by frequency-multiplexing techniques.

This includes for instance

- regional and local broadband cable networks,
- extended satellite and terrestrial television distribution systems,
- individual satellite and terrestrial television receiving systems,

and all kinds of equipment, systems and installations used in such cable networks, distribution and receiving systems.

The extent of this standardization work is from the antennas and/or special signal source inputs to the headend or other interface points to the network up to the terminal input of the customer premises equipment.

The standardization work will consider coexistence with users of the RF spectrum in wired and wireless transmission systems.

The standardization of any user terminals (i.e. tuners, receivers, decoders, multimedia terminals, etc.) as well as of any coaxial, balanced and optical cables and accessories thereof is excluded.

The reception of television signals inside a building requires an outdoor antenna and a distribution network to convey the signal to the TV receivers.

The installation of an outdoor antenna for each TV receiver should be avoided for technical, economical and practical reasons.

In a building divided into apartment blocks, the installation of a master antenna television system for terrestrial (MATV) and/or satellite (SMATV) reception, as shown in Figure 1, Figure 2, Figure 3, Figure 4 and Figure 5, describing as an example the various parts of the system is usual. Most of the terms used in the IEC 60728 series can be referred to these figures.

When signals to be conveyed to the TV receivers are picked up far away, for geographical reasons, and the number of users (subscribers) is very high, the installation of a cable network using coaxial cables and/or fibre optic cables is used, as indicated in Figure 4, describing as an example the various parts of the system.

A system model of a cable network is shown in Figure 5, where the main parts of the systems are indicated, as defined in Clause 3.

This standard deals with digital signals only.

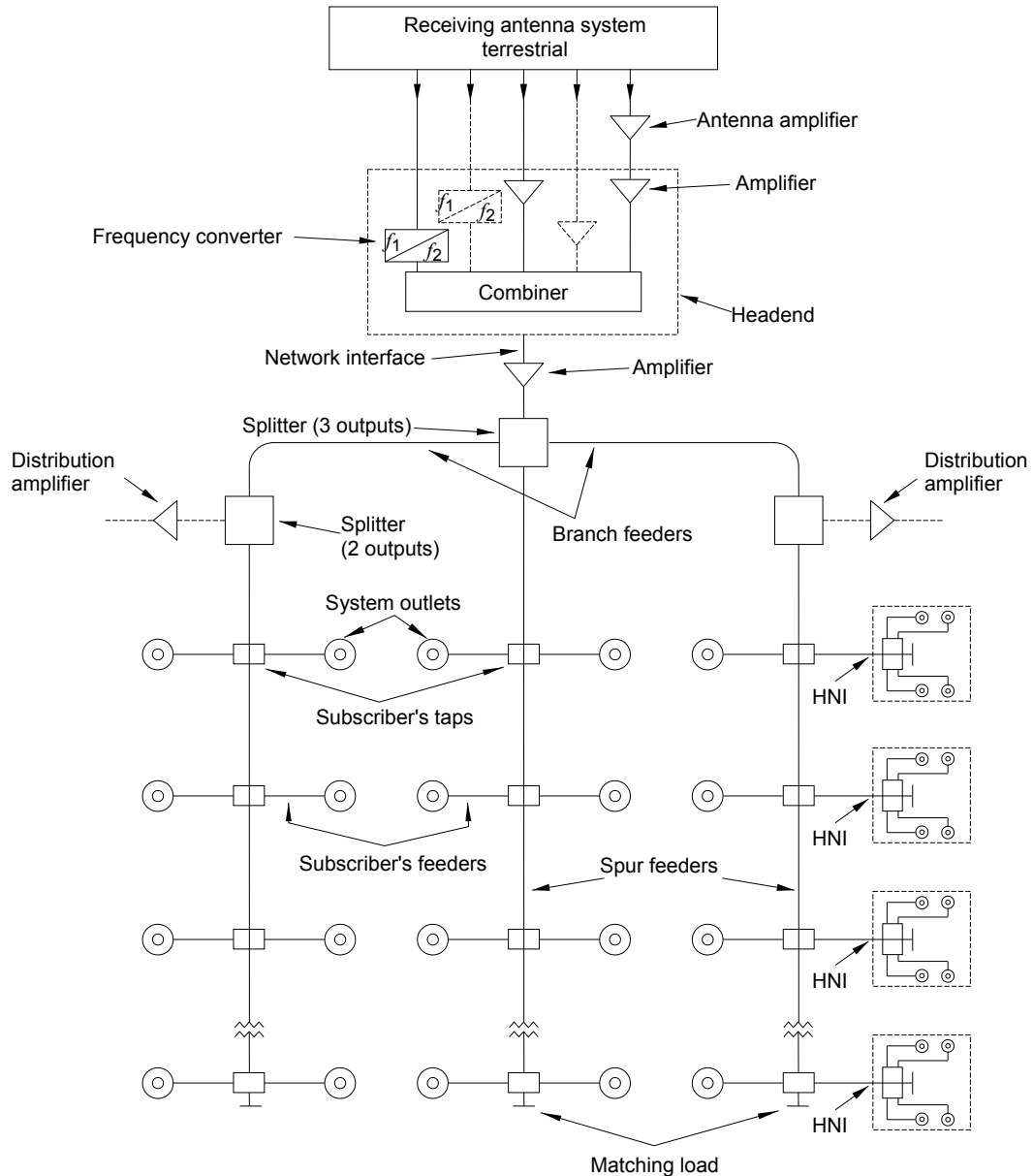
For forward path analogue signals refer to IEC 60728-1. For return paths signals (analogue and digital) refer to IEC 60728-10.

Clause 4 defines the methods of measurement of the system performance parameters at the system outlet.

Clause 5 defines the system performance limits which will, with an unimpaired input, (headend input signal), produce picture and sound signals (at system outlets) where the quality requirement is a quasi-error-free (QEF) reception.

Appropriate performance requirements for the signals at the receiving antennas site are given in Clause 6 in order to provide, at the input of the headend of the cable network, for digital television signals with suitable quality.

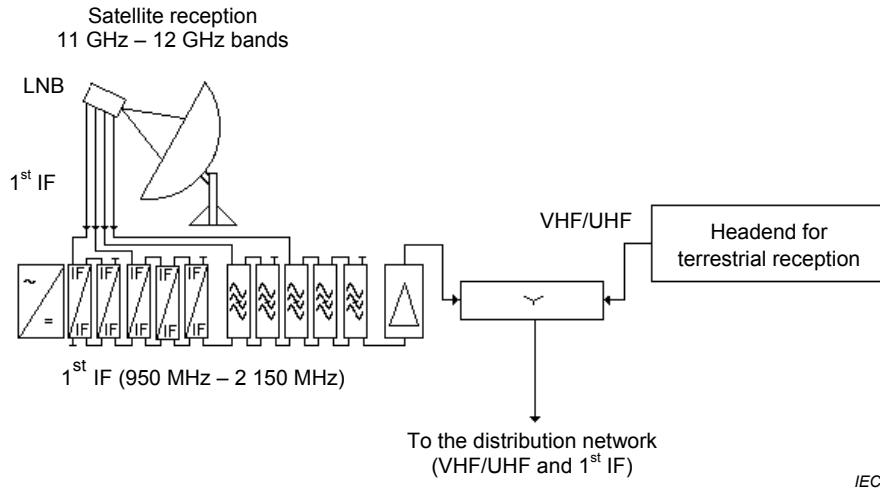
Clause 7 is applicable to home networks (including those of individual receiving systems) using coaxial cables, balanced cables or optical cables and is primarily intended for television signals, sound signals and interactive services, operating between about 30 MHz and 3 000 MHz. Clause 7 also considers basic operational characteristics of a home network, specifies the requirements with respect to the home network interface (HNI) taking into account the performance requirements given at the system outlet or at the terminal input.



IEC

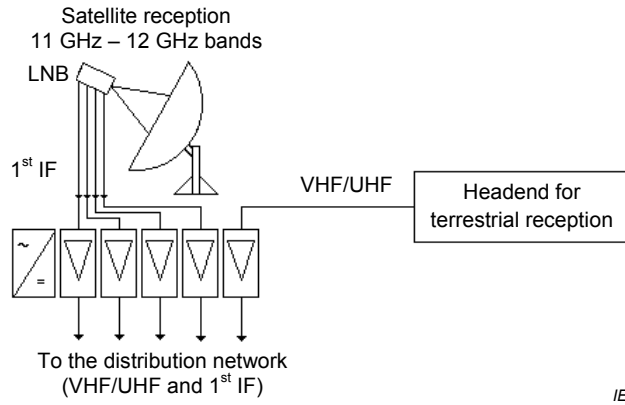
Some apartments (dwelling units) are served with a home network (HN), interfaced to the MATV system by the home network interface (HNI).

**Figure 1 – Example of a master antenna television system (MATV) for terrestrial reception**

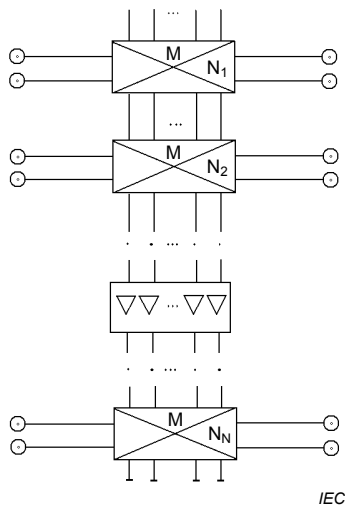


NOTE Distribution at the 1<sup>st</sup> IF on the same cable as terrestrial VHF/UHF channels.

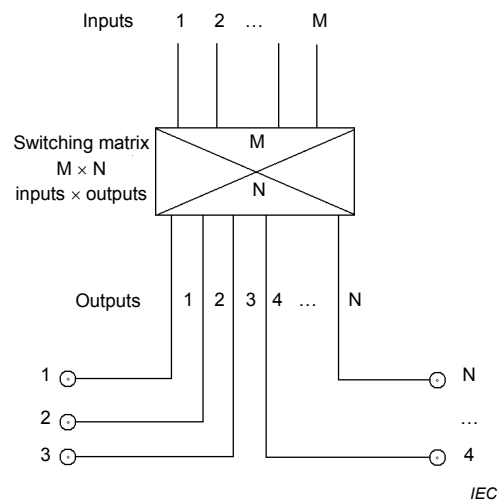
**Figure 2 – Example of the headend of a master antenna television system for satellite (SMATV) reception**



**Figure 3a – Headend for terrestrial and satellite reception using multicable distribution**



**Figure 3b – Distribution with switching matrix at each flat**



**Figure 3c – Distribution with switching matrix: star configuration**

NOTE Distribution at the 1<sup>st</sup> IF using multicable and multi-switch technique.

**Figure 3 – Example of a master antenna television system for terrestrial and satellite (SMATV) reception**



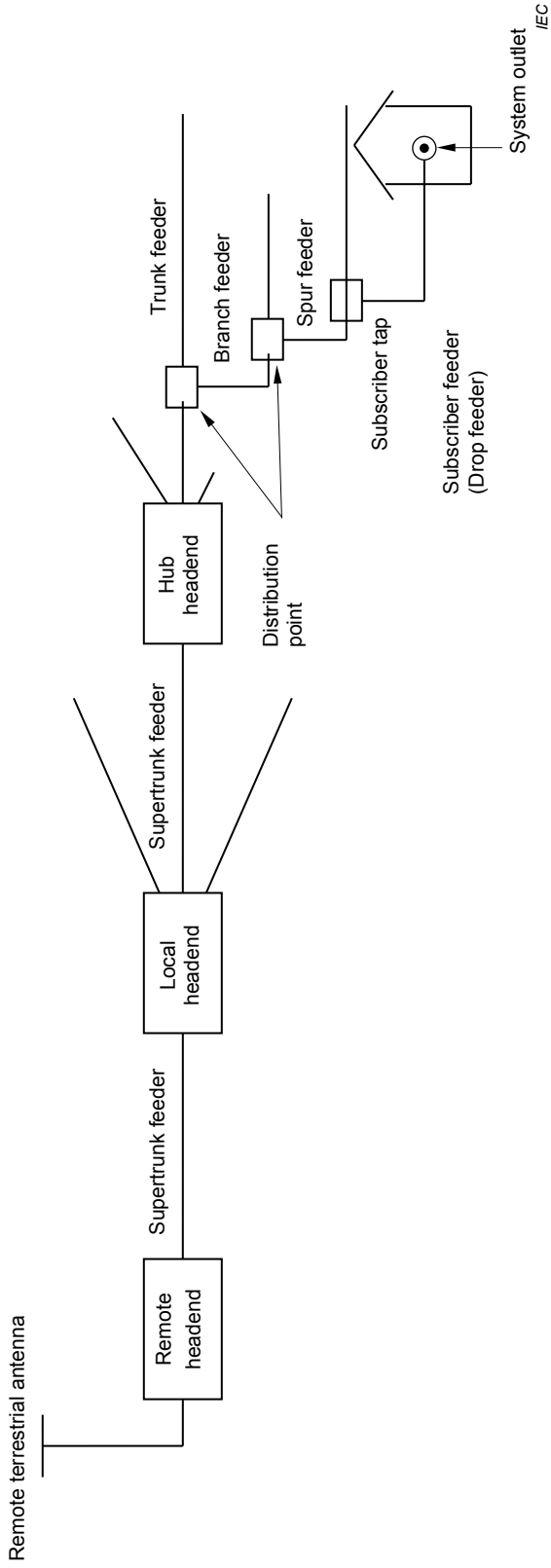


Figure 5 – System model for downstream direction of a cable network for television and sound signals (CATV)

# **CABLE NETWORKS FOR TELEVISION SIGNALS, SOUND SIGNALS AND INTERACTIVE SERVICES –**

## **Part 101: System performance of forward paths loaded with digital channels only**

### **1 Scope**

This part of IEC 60728 is applicable to any cable network (including individual receiving systems) distributing only digital channels having in the forward path a coaxial cable output and primarily intended for television and sound signals operating between about 30 MHz and 3 000 MHz.

This standard specifies the basic methods of measurement of the operational characteristics of a cable network having coaxial cable outputs in order to assess the performance of these systems and their performance limits.

### **2 Normative references**

The following documents, in whole or in part, are normatively referenced in this document and are indispensable for its application. For dated references, only the edition cited applies. For undated references, the latest edition of the referenced document (including any amendments) applies.

IEC 60050-705, *International Electrotechnical Vocabulary – Chapter 705: Radio wave propagation*

IEC 60050-712, *International Electrotechnical Vocabulary – Chapter 712: Antennas*

IEC 60050-725, *International Electrotechnical Vocabulary – Chapter 725: Space radiocommunications*

IEC 60728-1, *Cable networks for television signals, sound signals and interactive services – Part 1: System performance of forward paths*

IEC 60728-1-1, *Cable networks for television signals, sound signals and interactive services – Part 1-1: RF cabling for two way home networks*

IEC 60728-1-2, *Cable networks for television signals sound signals and interactive services – Part 1-2: Performance requirements for signals delivered at the system outlet in operation*

IEC 60728-2, *Cable networks for television signals, sound signals and interactive services – Part 2: Electromagnetic compatibility for equipment*

IEC 60728-3, *Cable networks for television signals, sound signals and interactive services – Part 3: Active wideband equipment for cable networks*

IEC 60728-3-1, *Cable networks for television signals, sound signals and interactive services – Part 3-1: Active wideband equipment for cable networks – Methods of measurement of non-linearity for full digital channel load with DVB-C signals*

IEC 60728-5, *Cable networks for television signals, sound signals and interactive services – Part 5: Headend equipment*

IEC 60728-10, *Cable networks for television signals, sound signals and interactive services – Part 10: System performance of return paths*

IEC 60728-11, *Cable networks for television signals, sound signals and interactive services – Part 11: Safety*

IEC 60728-12, *Cabled distribution systems for television and sound signals – Part 12: Electromagnetic compatibility of systems*

IEC 60966-2-4, *Radio frequency and coaxial cable assemblies – Part 2-4: Detail specification for cable assemblies for radio and TV receivers – Frequency range 0 MHz to 3 000 MHz, IEC 61169-2 connectors*

IEC 60966-2-5, *Radio frequency and coaxial cable assemblies – Part 2-5: Detail specification for cable assemblies for radio and TV receivers – Frequency range 0 MHz to 1 000 MHz, IEC 61169-2 connectors*

IEC 60966-2-6, *Radio frequency and coaxial cable assemblies – Part 2-6: Detail specification for cable assemblies for radio and TV receivers – Frequency range 0 MHz to 3 000 MHz, IEC 61169-24 connectors*

ISO/IEC 13818-1, *Information technology – Generic coding of moving pictures and associated audio information – Part 1: Systems*

ISO/IEC 13818-2, *Information technology – Generic coding of moving pictures and associated audio information – Part 2: Video*

ISO/IEC 13818-3, *Information technology – Generic coding of moving pictures and associated audio information – Part 3: Audio*

ISO/IEC 13818-4, *Information technology – Generic coding of moving pictures and associated audio information – Part 4: Conformance testing*

ISO/IEC 14496-1, *Information technology – Coding of audio-visual objects – Part 1: Systems*

ISO/IEC 14496-2, *Information technology – Coding of audio-visual objects – Part 2: Visual*

ISO/IEC 14496-3, *Information technology – Coding of audio-visual objects – Part 3: Audio*

EN 50248, *Characteristics of DAB receivers*

ETSI EN 300 421, *Digital Video Broadcasting (DVB) – Framing structure, channel coding and modulation for 11/12 GHz satellite services*

ETSI EN 300 429, *Digital Video Broadcasting (DVB) – Framing structure, channel coding and modulation for cable systems*

ETSI EN 300 468, *Digital Video Broadcasting (DVB) – Specification for Service Information (SI) in DVB systems*

ETSI EN 300 473, *Digital Video Broadcasting (DVB) – Satellite Master Antenna Television (SMATV) distribution systems*

ETSI EN 300 744, *Digital Video Broadcasting (DVB) – Framing structure, channel coding and modulation for digital terrestrial television*

ETSI EN 300 748, *Digital Video Broadcasting (DVB) – Multipoint Video Distribution Systems (MVDS) at 10 GHz and above*

ETSI EN 300 749, *Digital Video Broadcasting (DVB) – Microwave Multipoint Distribution Systems (MMDS) below 10 GHz*

ETSI EN 302 307, *Digital Video Broadcasting (DVB) – Second generation framing structure, channel coding and modulation systems for Broadcasting, Interactive Services, News Gathering and other broadband satellite applications*

ETSI EN 302 755, *Digital Video Broadcasting (DVB) – Frame structure, channel coding and modulation for a second generation digital terrestrial television broadcasting system (DVB-T2)*



ETSI EN 302 769, *Digital Video Broadcasting (DVB) – Frame structure channel coding and modulation for a second generation digital transmission system for cable systems (DVB-C2)*

ETSI ETS 300 784, *Satellite Earth Stations and Systems (SES) – TeleVision Receive-Only (TVRO) satellite earth stations operating in the 11/12 GHz frequency bands*

ETSI TR 101 211, *Digital Video Broadcasting (DVB) – Guidelines on implementation and usage of Service Information (SI)*

ETSI TR 101 290, *Digital Video Broadcasting (DVB) – Measurement guidelines for DVB systems*

ETSI TS 102 831, V1.1.1 (2010-10), *Digital Video Broadcasting (DVB) – Implementation guidelines for a second generation digital terrestrial television broadcasting system (DVB-T2)*

ETSI TS 102 991, V1.2.1 (2011-06), *Digital Video Broadcasting (DVB) – Implementation guidelines for a second generation digital cable transmission system (DVB-C2)*

## SOMMAIRE

AVANT-PROPOS.....	116
INTRODUCTION.....	118
1 Domaine d'application.....	127
2 Références normatives .....	127
3 Termes, définitions, symboles et abréviations .....	129
3.1 Termes et définitions .....	129
3.2 Symboles .....	145
3.3 Abréviations .....	145
4 Méthodes de mesure au niveau de la prise d'abonné.....	151
4.1 Généralités .....	151
4.2 Hypothèses de base et interfaces de mesure .....	151
4.3 Niveau du signal .....	160
4.3.1 Généralités .....	160
4.3.2 Matériel exigé .....	161
4.3.3 Raccordement du matériel.....	161
4.3.4 Procédure de mesure .....	161
4.3.5 Présentation des résultats .....	162
4.4 Rapport signal radiofréquence sur niveau d'intermodulation et de bruit ( $S/IIN$ ) .....	162
4.4.1 Généralités .....	162
4.4.2 Matériel exigé .....	163
4.4.3 Raccordement du matériel.....	163
4.4.4 Procédure de mesure .....	163
4.4.5 Présentation des résultats .....	164
4.5 Taux d'erreur binaire ( $TEB$ ).....	164
4.5.1 Généralités .....	164
4.5.2 Matériel exigé .....	164
4.5.3 Raccordement du matériel.....	165
4.5.4 Procédure de mesure .....	165
4.5.5 Présentation des résultats .....	166
4.6 $TEB$ par rapport au $SIN$ .....	166
4.6.1 Généralités .....	166
4.6.2 Matériel exigé .....	166
4.6.3 Raccordement du matériel.....	167
4.6.4 Procédure de mesure .....	167
4.6.5 Présentation des résultats .....	169
4.7 Niveaux et marges de fonctionnement du système .....	169
4.7.1 Généralités .....	169
4.7.2 Marge de signal du bruit blanc ( $SM_{WN}$ ) .....	171
4.7.3 Marge de signal du bruit d'intermodulation ( $SM_{IN}$ ).....	173
4.8 Rapport d'erreur de modulation ( $MER$ ) .....	175
4.8.1 Généralités .....	175
4.8.2 Matériel exigé .....	175
4.8.3 Raccordement du matériel.....	175
4.8.4 Procédure de mesure .....	176
4.8.5 Présentation des résultats .....	177
4.9 Gigue de phase.....	177

4.9.1	Généralités .....	177
4.9.2	Matériel exigé .....	178
4.9.3	Raccordement du matériel.....	178
4.9.4	Procédures de mesure .....	178
4.9.5	Présentation des résultats .....	180
4.10	Bruit de phase d'une porteuse RF.....	180
4.10.1	Généralités .....	180
4.10.2	Matériel exigé .....	181
4.10.3	Raccordement du matériel.....	181
4.10.4	Procédure de mesure.....	182
4.10.5	Présentation des résultats .....	183
4.11	Isolement mutuel entre prises d'abonné .....	184
4.11.1	Généralités .....	184
4.11.2	Matériel exigé .....	184
4.11.3	Raccordement du matériel.....	184
4.11.4	Procédure de mesure.....	185
4.11.5	Présentation des résultats .....	186
4.12	Réponse en amplitude à l'intérieur d'un canal .....	186
4.12.1	Généralités .....	186
4.12.2	Matériel exigé .....	186
4.12.3	Raccordement du matériel.....	186
4.12.4	Procédure de mesure.....	187
4.12.5	Présentation des résultats .....	189
4.13	Distorsion non linéaire.....	189
4.13.1	Généralités .....	189
4.13.2	Intermodulation .....	189
4.13.3	Transmodulation composite.....	189
5	Exigences de performances au niveau de la prise d'abonné .....	189
5.1	Exigences générales .....	189
5.2	Présentation .....	189
5.3	Impédance .....	190
5.4	Exigences au niveau de l'entrée du terminal .....	190
5.4.1	Généralités .....	190
5.4.2	Niveau du signal .....	190
5.4.3	Autres paramètres .....	190
5.5	Niveaux de signal radiofréquence aux prises d'abonné .....	190
5.5.1	Niveaux de signal radiofréquence minimaux et maximaux .....	190
5.5.2	Différences de niveau du signal radiofréquence .....	192
5.6	Isolement mutuel entre prises d'abonné .....	193
5.6.1	Isolement entre deux abonnés.....	193
5.6.2	Isolement entre prises individuelles dans un même logement.....	193
5.6.3	Isolement entre voie directe et voie de retour .....	193
5.7	Réponse en fréquence dans un canal de télévision au niveau d'une prise d'abonné.....	194
5.7.1	Réponse en amplitude .....	194
5.7.2	Temps de propagation de groupe .....	195
5.8	Stabilité à long terme de la fréquence des signaux distribués au niveau d'une prise d'abonné .....	195
5.9	Bruit aléatoire .....	196

5.10	Brouillage des canaux de télévision .....	199
5.10.1	Brouillage monofréquence .....	199
5.10.2	Bruit d'intermodulation .....	199
5.11	Exigences de performances DVB (PSK, QAM, OFDM) supplémentaires .....	199
5.11.1	<i>TEB</i> .....	199
5.11.2	<i>PER</i> .....	200
5.11.3	Marge de signal du bruit blanc ( $SM_{WN}$ ) .....	200
5.11.4	Marge de signal du bruit d'intermodulation ( $SM_{IN}$ ) .....	200
5.11.5	<i>MER</i> .....	200
5.11.6	Bruit de phase d'un signal DVB .....	200
5.12	Performances DAB .....	202
6	Exigences de performances au niveau des antennes de réception .....	202
6.1	Généralités .....	202
6.2	Méthode de mesure de l'intensité du champ .....	202
6.2.1	Généralités .....	202
6.2.2	Matériel exigé .....	202
6.2.3	Raccordement du matériel .....	202
6.2.4	Procédure de mesure .....	203
6.2.5	Présentation des résultats .....	204
6.3	Exigences .....	204
6.3.1	Généralités .....	204
6.3.2	Exigences relatives à l'intensité de champ .....	204
6.3.3	Qualité des signaux reçus .....	205
6.3.4	Sécurité .....	209
6.3.5	Compatibilité électromagnétique (CEM) .....	209
6.4	Diminution du brouillage .....	209
6.4.1	Généralités .....	209
6.4.2	Antennes actives .....	209
7	Exigences de performances aux interfaces du réseau domestique (HNI) des réseaux de distribution par câbles .....	209
7.1	Généralités .....	209
7.2	Exigences relatives à la HNI1 pour les réseaux domestiques coaxiaux passifs .....	212
7.2.1	Généralités .....	212
7.2.2	Niveaux de signal à la HNI1 .....	212
7.2.3	Isolement mutuel entre deux HNI1 .....	215
7.2.4	Réponse en fréquence dans un canal de télévision à la HNI1 .....	215
7.2.5	Stabilité à long terme de la fréquence des signaux radiofréquence distribués à la HNI1 .....	216
7.2.6	Bruit aléatoire à la HNI1 .....	216
7.2.7	Brouillage des canaux de télévision à la HNI1 .....	217
7.2.8	Exigences relatives à la voie de retour à la HNI1 .....	217
7.3	Exigences relatives à la HNI2 pour les réseaux domestiques coaxiaux actifs .....	217
7.3.1	Généralités .....	217
7.3.2	Niveaux de signal radiofréquence à la HNI2 .....	217
7.3.3	Isolement mutuel entre deux HNI2 .....	220
7.3.4	Réponse en fréquence dans un canal de télévision à la HNI2 .....	220
7.3.5	Stabilité à long terme de la fréquence des signaux radiofréquence distribués à la HNI2 .....	221
7.3.6	Bruit aléatoire à la HNI2 .....	221

7.3.7	Brouillage des canaux de télévision à la HNI2.....	224
7.3.8	Exigences relatives à la voie de retour à la HNI2 .....	224
7.4	Exigences relatives à la HNI3 et à la prise d'abonné ou à l'entrée du terminal lorsque le réseau domestique est essentiellement de type symétrique.....	224
7.4.1	Généralités .....	224
7.4.2	Exigences relatives à la HNI3.....	225
7.4.3	Exigences à la sortie du système .....	225
7.4.4	Exigences supplémentaires relatives à la HNI3 pour la transmission en amont .....	226
7.5	Exigences relatives à la HNI3 (cas C).....	226
7.6	Exigences relatives à la HNI3 (cas D).....	226
Annexe A (normative)	Facteurs de correction pour la mesure du bruit .....	227
A.1	Mesure du niveau de signal.....	227
A.2	Mesure du niveau de bruit .....	227
Annexe B (normative)	Définitions du paquet vide et de la séquence binaire pseudo- aléatoire (PRBS).....	229
B.1	Définition du paquet vide.....	229
B.2	Définition de la séquence binaire pseudo-aléatoire .....	230
Annexe C (normative)	Niveau et largeur de bande des signaux numériques .....	231
C.1	Puissance RF/IF ("porteuse") .....	231
C.2	Largeur de bande d'un signal numérique .....	231
C.2.1	Largeur de bande occupée.....	231
C.2.2	Largeur de bande du bruit .....	232
C.2.3	Largeur de bande équivalente du signal .....	233
C.3	Exemples.....	233
Annexe D (normative)	Facteur de correction pour un analyseur de spectre.....	234
Annexe E (informative)	Différences dans certains pays.....	235
E.1	Paragraphe 3.1.48, Norvège.....	235
E.2	Paragraphe 5.5.1, Japon .....	235
E.3	Paragraphe 5.5.2, Japon .....	236
E.4	Paragraphe 5.6.1, Japon .....	236
E.5	Paragraphe 5.7.1, Japon .....	236
E.6	Paragraphe 5.7.2, Japon .....	236
E.7	Paragraphe 5.8, Japon .....	236
E.8	Paragraphe 5.9, Japon .....	237
E.9	Paragraphe 5.10.1, Japon .....	237
E.10	Paragraphe 5.11.6, Japon .....	239
E.11	Paragraphe 6.3.3, Japon .....	239
E.12	Article 7, Japon .....	239
Bibliographie	.....	240
Figure 1	– Exemple de système de distribution de télévision à tête de réception collective terrestre (MATV).....	121
Figure 2	– Exemple de tête de réseau d'un système de distribution de télévision à tête de réception collective par satellite (SMATV).....	121
Figure 3	– Exemple de système de distribution de télévision à tête de réception collective terrestre et par satellite (SMATV).....	122
Figure 4	– Exemple de système de distribution par câbles pour signaux de télévision et signaux de radiodiffusion sonore .....	125

Figure 5 – Exemple de système de direction en aval d'un réseau de distribution par câbles pour signaux de télévision et signaux de radiodiffusion sonore (CATV) .....	126
Figure 6 – Modulation PSK (QPSK, BPSK, TC8PSK) .....	152
Figure 7 – Modulation DVB-S2 (QPSK, 8PSK, 16APSK, 32APSK).....	153
Figure 8 – Modulation QAM DVB-C .....	153
Figure 9 – Modulation QAM DVB-C2 .....	154
Figure 10 – Modulation OFDM DVB-T .....	155
Figure 11 – Modulation OFDM DVB-T2.....	156
Figure 12 – Récepteur de référence pour la démodulation PSK (QPSK, BPSK, TC8PSK) .....	157
Figure 13 – Récepteur de référence pour la démodulation DVB-S2 (QPSK, 8PSK, 16APSK, 32APSK).....	157
Figure 14 – Récepteur de référence pour la démodulation QAM DVB-C .....	158
Figure 15 – Récepteur de référence pour la démodulation QAM DVB-C2 .....	158
Figure 16 – Récepteur de référence pour la démodulation OFDM DVB-T .....	159
Figure 17 – Récepteur de référence (modèle tampon) pour la démodulation OFDM DVB-T2 .....	160
Figure 18 – Montage d'essai pour la mesure du <i>TEB</i> .....	165
Figure 19 – Montage d'essai pour la mesure du <i>TEB</i> par rapport au <i>S/N</i> .....	167
Figure 20 – Exemple de mesure du <i>TEB</i> par rapport au <i>S/N</i> .....	169
Figure 21 – Exemple de valeurs <i>S/IIN</i> et <i>TEB</i> par rapport au niveau de signal <i>S</i> pour un réseau de distribution par câbles sans liaison optique .....	170
Figure 22 – Sous-systèmes optiques et coaxiaux d'un réseau HFC .....	170
Figure 23 – Montage d'essai pour la mesure de $SM_{WN}$ et $SM_{IN}$ .....	172
Figure 24 – Montage d'essai pour la mesure du rapport d'erreur de modulation (MER) et de la gigue de phase.....	176
Figure 25 – Exemple de schéma de constellation pour un format de modulation 64 QAM.....	177
Figure 26 – Exemple de schéma de constellation pour un format de modulation 64 QAM avec des sections d'arc en raison de la gigue de phase.....	179
Figure 27 – Montage d'essai pour la mesure du bruit de phase .....	182
Figure 28 – Exemple de masque pour les mesures du bruit de phase: formats PSK, APSK et QAM.....	183
Figure 29 – Exemple de masque pour les mesures du bruit de phase: format OFDM .....	183
Figure 30 – Montage de l'appareil d'essai pour la mesure de l'isolement mutuel entre les prises d'abonné.....	185
Figure 31 – Montage de l'appareil d'essai pour la mesure de la réponse en fréquence dans un canal.....	187
Figure 32 – Interprétation des affichages de mesure de la réponse en fréquence dans un canal .....	188
Figure 33 – Types de réseaux domestiques utilisés pour définir les exigences au niveau de plusieurs types de HNI (coaxiale) .....	212
Figure A.1 – Facteur de correction de bruit <i>CF</i> en fonction de la différence de niveau mesurée <i>D</i> .....	228
Figure E.1 – Brouillage monofréquence (64 QAM numérique) (Japon).....	238
Figure E.2 – Brouillage monofréquence (256 QAM numérique) (Japon).....	238

Tableau 1 – Application des méthodes de mesure .....	151
Tableau 2 – Distance de fréquence $f_m$ .....	184
Tableau 3 – Niveaux du signal numérique au niveau d'une prise d'abonné .....	191
Tableau 4 – Différences de niveau maximales au niveau de la prise d'abonné entre des canaux de télévision répartis .....	193
Tableau 5 – Niveau de porteuse résiduelle au niveau de la sortie de télévision ou de radio FM dans la même prise ou entre deux prises différentes .....	194
Tableau 6 – Variation de la réponse en amplitude .....	194
Tableau 7 – Variation de temps de propagation de groupe .....	195
Tableau 8 – Ecart maximal de la fréquence de conversion pour les signaux DVB à modulation numérique .....	196
Tableau 9 – Rapport signal radiofréquence/bruit à la prise d'abonné .....	197
Tableau 10 – Rapport d'erreur de modulation ( <i>MER</i> ) des signaux DVB .....	200
Tableau 11 – Bruit de phase d'un signal DVB (PSK, APSK et QAM) .....	201
Tableau 12 – Bruit de phase d'un signal DVB-T ou DVB-C2 (COFDM) .....	201
Tableau 13 – Niveaux minimaux d'intensité de champ recommandés par la CEPT [3] .....	204
Tableau 14 – Niveau minimal de signal à l'entrée de la tête de réseau pour la réception de signaux DAB .....	205
Tableau 15 – Niveau minimal de signal et rapport signal radiofréquence/bruit à l'entrée de la tête de réseau pour la réception stationnaire de signaux DVB-T .....	206
Tableau 16 – Rapport signal/bruit minimal <i>S/N</i> à l'entrée de la tête de réseau pour les signaux DVB-T2 .....	207
Tableau 17 – Rapport signal radiofréquence/bruit minimal à l'entrée de la tête de réseau pour la réception de signaux satellites DVB-S ou DVB-S2 .....	208
Tableau 18 – Niveau de signal à la HNI1 .....	213
Tableau 19 – Différences de niveau maximales à la HNI1 .....	215
Tableau 20 – Variations de réponse en amplitude à la HNI1 .....	216
Tableau 21 – Variation de temps de propagation de groupe à la HNI1 .....	216
Tableau 22 – Niveau de signal à la HNI2 .....	218
Tableau 23 – Différences de niveau maximales à la HNI2 .....	220
Tableau 24 – Variations de réponse en amplitude à la HNI2 .....	221
Tableau 25 – Variation de temps de propagation de groupe à la HNI2 .....	221
Tableau 26 – Rapports signal radiofréquence/bruit minimaux à la HNI2 .....	222
Tableau 27 – Niveau minimal de signal à l'entrée coaxiale du terminal (cas A) ou à la prise d'abonné coaxiale (cas B) .....	225
Tableau A.1 – Facteur de correction de bruit .....	227
Tableau B.1 – Définition du paquet vide du flux de transport .....	230
Tableau C.1 – Exemples de largeurs de bande selon les techniques de modulation numérique .....	233

## COMMISSION ÉLECTROTECHNIQUE INTERNATIONALE

---

### **RÉSEAUX DE DISTRIBUTION PAR CÂBLES POUR SIGNAUX DE TÉLÉVISION, SIGNAUX DE RADIODIFFUSION SONORE ET SERVICES INTERACTIFS –**

#### **Partie 101: Performances des systèmes de voie directe soumis à une charge de porteuses exclusivement numériques**

##### AVANT-PROPOS

- 1) La Commission Electrotechnique Internationale (IEC) est une organisation mondiale de normalisation composée de l'ensemble des comités électrotechniques nationaux (Comités nationaux de l'IEC). L'IEC a pour objet de favoriser la coopération internationale pour toutes les questions de normalisation dans les domaines de l'électricité et de l'électronique. A cet effet, l'IEC – entre autres activités – publie des Normes internationales, des Spécifications techniques, des Rapports techniques, des Spécifications accessibles au public (PAS) et des Guides (ci-après dénommés "Publication(s) de l'IEC"). Leur élaboration est confiée à des comités d'études, aux travaux desquels tout Comité national intéressé par le sujet traité peut participer. Les organisations internationales, gouvernementales et non gouvernementales, en liaison avec l'IEC, participent également aux travaux. L'IEC collabore étroitement avec l'Organisation Internationale de Normalisation (ISO), selon des conditions fixées par accord entre les deux organisations.
- 2) Les décisions ou accords officiels de l'IEC concernant les questions techniques représentent, dans la mesure du possible, un accord international sur les sujets étudiés, étant donné que les Comités nationaux de l'IEC intéressés sont représentés dans chaque comité d'études.
- 3) Les Publications de l'IEC se présentent sous la forme de recommandations internationales et sont agréées comme telles par les Comités nationaux de l'IEC. Tous les efforts raisonnables sont entrepris afin que l'IEC s'assure de l'exactitude du contenu technique de ses publications; l'IEC ne peut pas être tenue responsable de l'éventuelle mauvaise utilisation ou interprétation qui en est faite par un quelconque utilisateur final.
- 4) Dans le but d'encourager l'uniformité internationale, les Comités nationaux de l'IEC s'engagent, dans toute la mesure possible, à appliquer de façon transparente les Publications de l'IEC dans leurs publications nationales et régionales. Toutes divergences entre toutes Publications de l'IEC et toutes publications nationales ou régionales correspondantes doivent être indiquées en termes clairs dans ces dernières.
- 5) L'IEC elle-même ne fournit aucune attestation de conformité. Des organismes de certification indépendants fournissent des services d'évaluation de conformité et, dans certains secteurs, accèdent aux marques de conformité de l'IEC. L'IEC n'est responsable d'aucun des services effectués par les organismes de certification indépendants.
- 6) Tous les utilisateurs doivent s'assurer qu'ils sont en possession de la dernière édition de cette publication.
- 7) Aucune responsabilité ne doit être imputée à l'IEC, à ses administrateurs, employés, auxiliaires ou mandataires, y compris ses experts particuliers et les membres de ses comités d'études et des Comités nationaux de l'IEC, pour tout préjudice causé en cas de dommages corporels et matériels, ou de tout autre dommage de quelque nature que ce soit, directe ou indirecte, ou pour supporter les coûts (y compris les frais de justice) et les dépenses découlant de la publication ou de l'utilisation de cette Publication de l'IEC ou de toute autre Publication de l'IEC, ou au crédit qui lui est accordé.
- 8) L'attention est attirée sur les références normatives citées dans cette publication. L'utilisation de publications référencées est obligatoire pour une application correcte de la présente publication.
- 9) L'attention est attirée sur le fait que certains des éléments de la présente Publication de l'IEC peuvent faire l'objet de droits de brevet. L'IEC ne saurait être tenue pour responsable de ne pas avoir identifié de tels droits de brevets et de ne pas avoir signalé leur existence.

La Norme internationale IEC 60728-101 a été établie par le domaine technique 5: Réseaux câblés pour les signaux de télévision, signaux sonores et services interactifs, du comité d'études 100 de l'IEC: Systèmes et équipements audio, vidéo et services de données.



Le texte de cette norme est issu des documents suivants:

FDIS	Rapport de vote
100/2641/FDIS	100/2668/RVD

Le rapport de vote indiqué dans le tableau ci-dessus donne toute information sur le vote ayant abouti à l'approbation de cette norme.

Cette publication a été rédigée selon les Directives ISO/IEC, Partie 2.

Une liste de toutes les parties de la série IEC 60728, publiées sous le titre général *Réseaux de distribution par câbles pour signaux de télévision, signaux de radiodiffusion sonore et services interactifs*, peut être consultée sur le site web de l'IEC.

Pour les différences dans certains pays, voir l'Annexe E.

Le comité a décidé que le contenu de cette publication ne sera pas modifié avant la date de stabilité indiquée sur le site web de l'IEC sous "<http://webstore.iec.ch>" dans les données relatives à la publication recherchée. A cette date, la publication sera

- reconduite,
- supprimée,
- remplacée par une édition révisée, ou
- amendée.

**IMPORTANT – Le logo "colour inside" qui se trouve sur la page de couverture de cette publication indique qu'elle contient des couleurs qui sont considérées comme utiles à une bonne compréhension de son contenu. Les utilisateurs devraient, par conséquent, imprimer cette publication en utilisant une imprimante couleur.**

## INTRODUCTION

Les normes et livrables de la série IEC 60728 traitent des réseaux de distribution par câbles, notamment le matériel et les méthodes de mesure associées à la réception en tête de réseau, au traitement et à la distribution des signaux de télévision et signaux de radiodiffusion sonore, ainsi qu'au traitement, à l'interfaçage et à la transmission de toutes sortes de signaux de données pour services interactifs en utilisant tous les supports de transmission applicables. La transmission de ces signaux repose généralement sur des techniques de multiplexage en fréquence.

Cela comprend, par exemple

- les réseaux de distribution par câbles à large bande régionaux et locaux,
- les systèmes étendus de distribution de télévision terrestre et par satellite,
- les systèmes individuels de réception de télévision terrestre et par satellite

et tous les types de matériels, systèmes et installations utilisés dans ces réseaux de distribution par câbles, systèmes de distribution et de réception.

Ce travail de normalisation s'étend des antennes et/ou des entrées pour source de signal particulière à l'entrée du terminal de l'équipement chez le client en passant par la tête de réseau ou d'autres points d'interface d'accès au réseau.

Le travail de normalisation prendra en compte la coexistence des utilisateurs du spectre de radiofréquence (RF) dans les systèmes de transmission filaires et sans fil.

La normalisation des terminaux (c'est-à-dire, syntoniseurs, récepteurs, décodeurs, terminaux multimédias, etc.), des câbles coaxiaux, symétriques et optiques, ainsi que leurs accessoires en est exclue.

La réception de signaux de télévision à l'intérieur d'un bâtiment exige une antenne extérieure et un réseau de distribution pour acheminer le signal aux récepteurs de télévision.

Il convient d'éviter l'installation d'une antenne extérieure pour chaque récepteur de télévision pour des raisons techniques, économiques et pratiques.

Dans un bâtiment divisé en blocs d'appartements, l'installation d'un système de distribution de télévision à tête de réception collective terrestre (MATV) et/ou par satellite (SMATV) (voir la Figure 1, la Figure 2, la Figure 3, la Figure 4 et la Figure 5 présentant un exemple des différentes parties du système) est courante. La plupart des termes utilisés dans la série IEC 60728 peuvent être utilisés dans ces figures.

Lorsque des signaux à acheminer aux récepteurs de télévision sont captés de très loin (pour des raisons géographiques) et que le nombre d'utilisateurs (abonnés) est très élevé, l'installation d'un réseau de distribution par câbles coaxiaux et/ou par câbles à fibres optiques est adoptée (voir Figure 4), présentant un exemple des différentes parties du système).

Un exemple de système pour un réseau de distribution par câbles est présenté à la Figure 5, où sont indiquées les principales parties des systèmes (telles que définies à l'Article 3).

La présente norme aborde les signaux numériques uniquement.

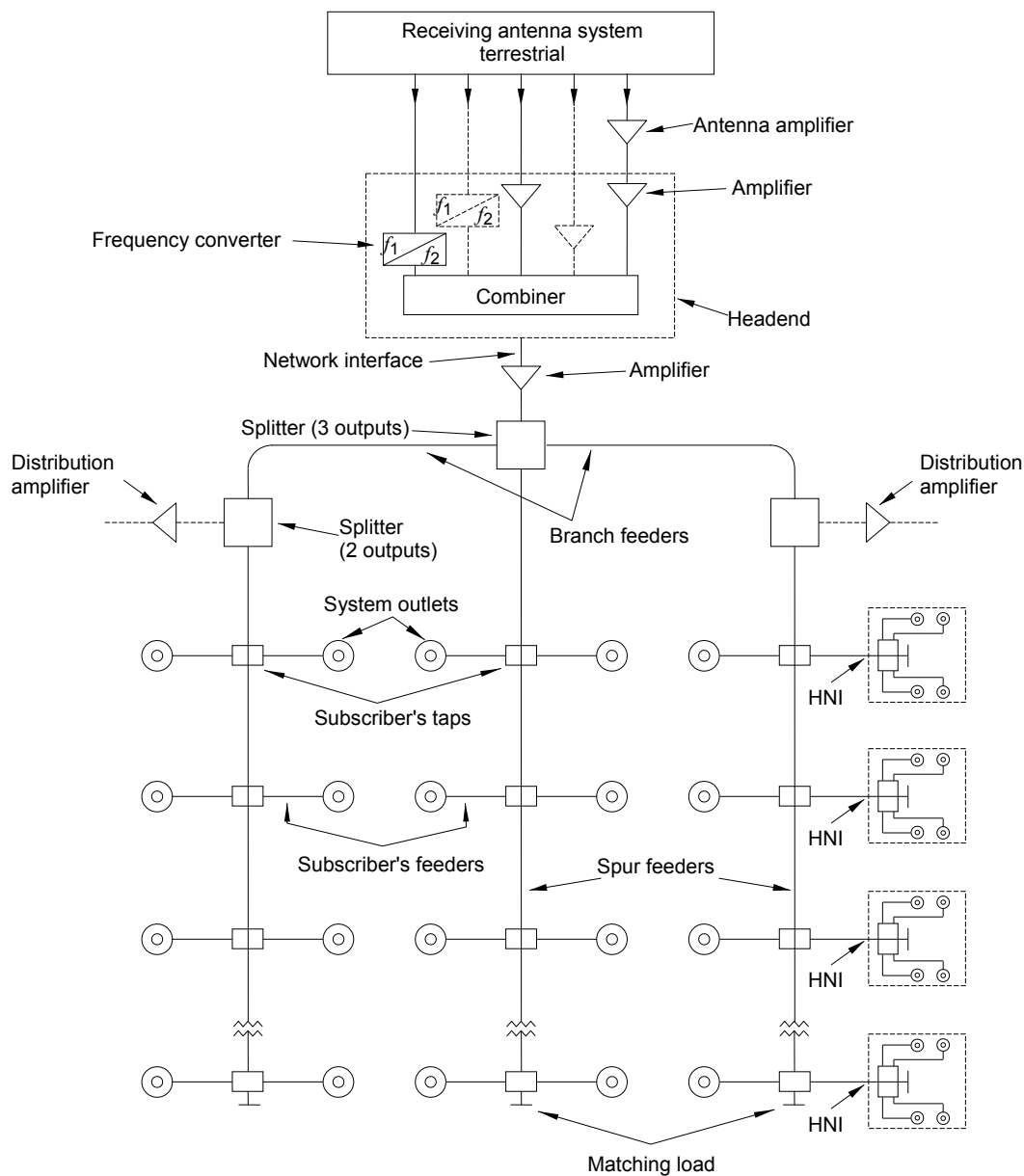
Pour les signaux analogiques de voie directe, voir l'IEC 60728-1. Pour les signaux analogiques et numérique de voie de retour, voir l'IEC 60728-10.

L'Article 4 définit les méthodes de mesure des paramètres de performances du système au niveau de la prise d'abonné.

L'Article 5 définit les limites de performances du système qui, avec une entrée non dégradée (signal à l'entrée de la tête de réseau), produiront des signaux d'image et de radiodiffusion sonore (au niveau des prises d'abonné) où l'exigence de qualité est une réception quasi sans erreurs (QEF).

L'Article 6 définit les exigences de performances adéquates pour les signaux au niveau du site d'antennes de réception pour fournir des signaux de télévision numérique de qualité appropriée à l'entrée de la tête du réseau de distribution par câbles.

L'Article 7 s'applique aux réseaux domestiques (y compris ceux des systèmes individuels de réception) utilisant des câbles coaxiaux, des câbles symétriques ou des câbles optiques et est essentiellement destiné aux signaux de télévision, aux signaux de radiodiffusion sonore et aux services interactifs, fonctionnant approximativement entre 30 MHz et 3 000 MHz. L'Article 7, compte tenu des caractéristiques opérationnelles fondamentales d'un réseau domestique, spécifie les exigences relatives au niveau de l'interface du réseau domestique (HNI) en prenant en compte les exigences de performances données à la prise d'abonné ou à l'entrée du terminal.



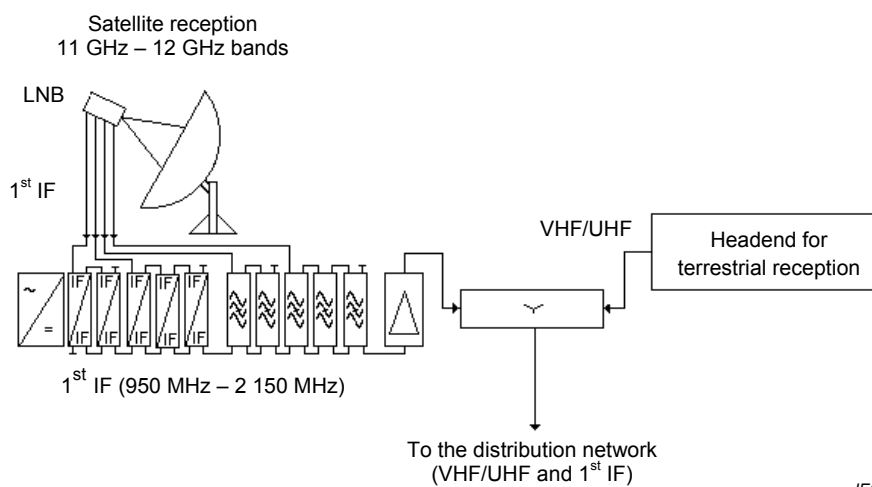
IEC

Anglais	Français
Receiving antenna system terrestrial	Système de réception terrestre par antenne
Frequency converter	Convertisseur de fréquence
Combiner	Combineur
Network Interface	Interface réseau
Splitter (3 outputs)	Répartiteur (3 sorties)
Distribution amplifier	Amplificateur de distribution
Splitter (2 outputs)	Répartiteur (2 sorties)
System outlets	Prises d'abonné
Subscriber's taps	Dérivateurs d'abonné
Subscriber's feeders	Lignes de raccordement
Matching load	Charge d'adaptation
Spur feeders	Lignes tertiaires
Branch feeders	Lignes secondaires

Anglais	Français
HNI	HNI
Amplifier	Amplificateur
Headend	Tête de réseau
Antenna amplifier	Amplificateur d'antenne

Certains appartements (logements ou bureaux) sont desservis au sein d'un réseau domestique (HN), interfacé avec le système MATV par le biais de l'interface du réseau domestique (HNI).

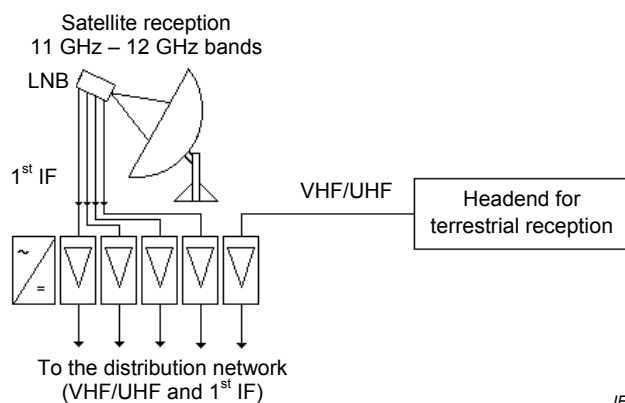
**Figure 1 – Exemple de système de distribution de télévision à tête de réception collective terrestre (MATV)**



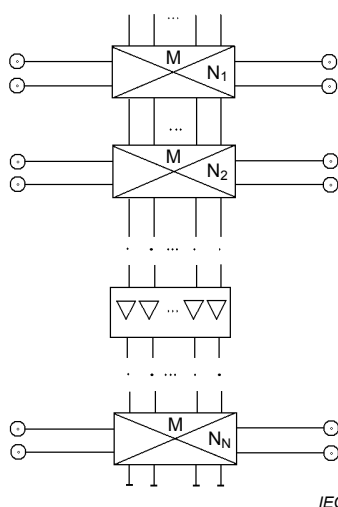
Anglais	Français
Satellite reception 11 GHz – 12 GHz bands	Réception par satellite bandes 11 GHz – 12 GHz
LNB	Bloc-convertisseur à faible bruit (LNB)
1 <sup>st</sup> IF	1 <sup>re</sup> fréquence intermédiaire (IF)
1 <sup>st</sup> IF (950 MHz – 2 150 MHz)	1 <sup>re</sup> fréquence intermédiaire (IF) (950 MHz – 2 150 MHz)
To the distribution network (VHF/UHF and 1 <sup>st</sup> IF)	Vers le réseau de distribution (VHF/UHF et 1 <sup>re</sup> IF)
Headend for terrestrial reception	Tête de réseau pour réception terrestre
VHF/UHF	VHF/UHF

NOTE Distribution à première fréquence intermédiaire sur le même câble que les canaux VHF/UHF terrestres.

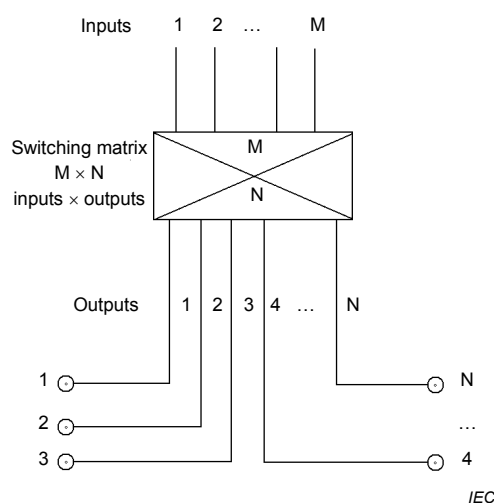
**Figure 2 – Exemple de tête de réseau d'un système de distribution de télévision à tête de réception collective par satellite (SMATV)**



**Figure 3a – Tête de réseau d'un système de réception terrestre et par satellite reposant sur la distribution à câble multiple**



**Figure 3b – Distribution avec matrice de commutation à chaque appartement**

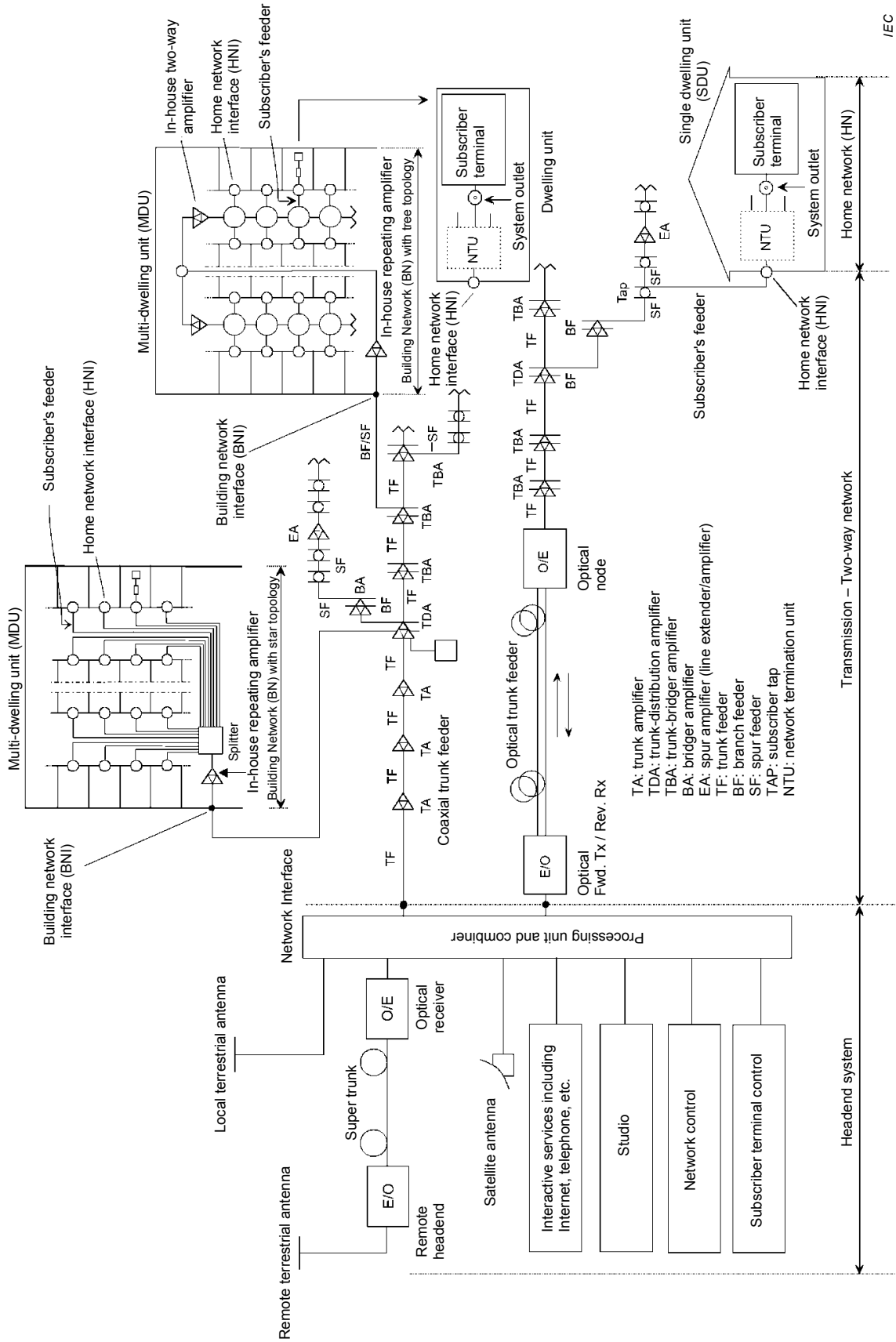


**Figure 3c – Distribution avec matrice de commutation: configuration en étoile**

NOTE Distribution à la première fréquence intermédiaire (IF) reposant sur la technique à câble multiple et à commutateur multiple.

Anglais	Français
Satellite reception 11 GHz – 12 GHz bands	Réception par satellite bandes 11 GHz – 12 GHz
LNB	Bloc-convertisseur à faible bruit (LNB)
1 <sup>st</sup> IF	1 <sup>re</sup> fréquence intermédiaire (IF)
To the distribution network (VHF/UHF and 1 <sup>st</sup> IF)	Vers le réseau de distribution (VHF/UHF et 1 <sup>re</sup> IF)
Headend for terrestrial reception	Tête de réseau pour réception terrestre
VHF/UHF	VHF/UHF
Inputs	Entrées
Switching matrix	Matrice de commutation
M × N	M × N
inputs × outputs	entrées × sorties
Outputs	Sorties

**Figure 3 – Exemple de système de distribution de télévision à tête de réception collective terrestre et par satellite (SMATV)**

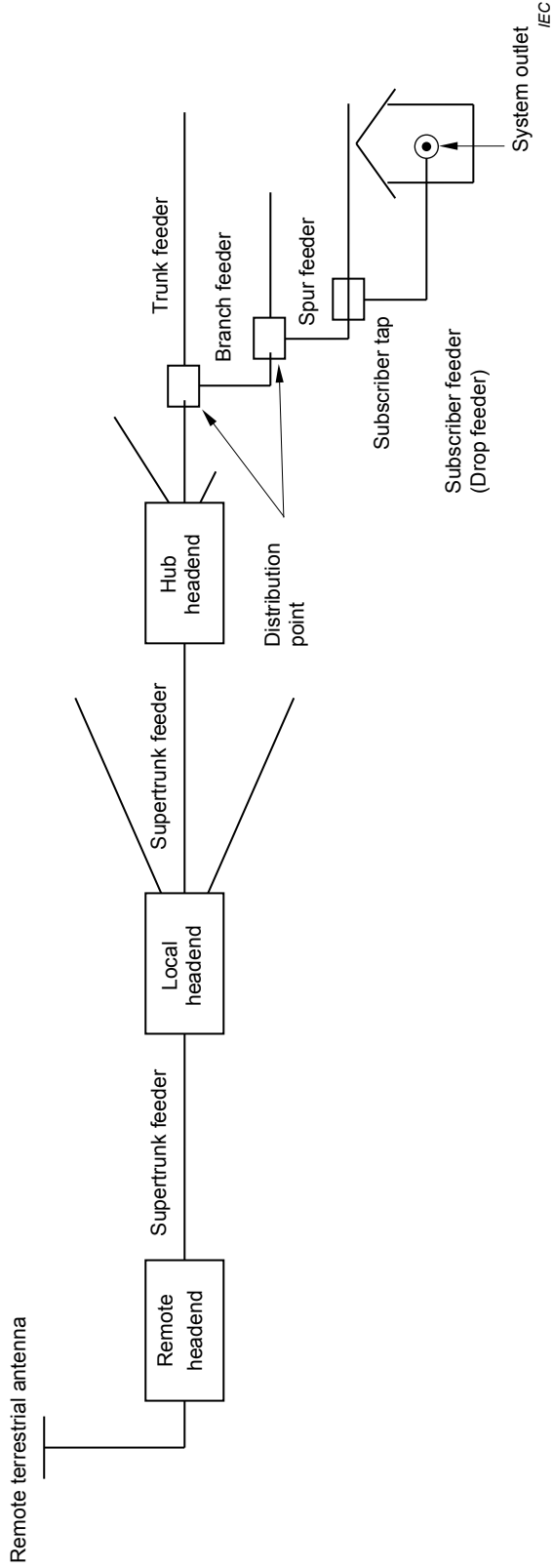


Anglais	Français
Multi-dwelling unit (MDU)	Immeuble (MDU)
Building network interface (BNI)	Interface du réseau de bâtiment (BNI)
Subscriber's feeder	Ligne de raccordement
Home network interface (HNI)	Interface du réseau domestique (HNI)
In-house repeating amplifier Building Network (BN) with star topology	Amplificateur de répétition interne Réseau de bâtiment (BN) avec topologie en étoile
Headend system	Système en tête de réseau
Remote terrestrial antenna	Antenne terrestre éloignée
Splitter	Répartiteur
Local terrestrial antenna	Antenne terrestre locale
Network Interface	Interface réseau
E/O	E/O
Remote headend	Tête de réseau éloignée
Super trunk	Ligne de transfert
O/E	O/E
Optical receiver	Récepteur optique
Satellite antenna	Antenne satellite
Interactive services including Internet, telephone, etc.	Services interactifs (Internet, téléphone, etc.)
Studio	Studio
Network control	Commande du réseau
Subscriber terminal control	Commande du terminal d'abonné
Processing unit and combiner	Unité de traitement et combineur
Transmission – Two-way network	Transmission – Réseau bidirectionnel
Coaxial trunk feeder	Ligne primaire coaxiale
Optical trunk feeder	Ligne primaire optique
Optical Fwd. Tx / Rev. Rx	Émetteur optique avant /récepteur optique inverse
Optical node	Nœud optique



Anglais	Français
TA: trunk amplifier	TA: amplificateur de ligne primaire
TDA: trunk-distribution amplifier	TDA: amplificateur de distribution de ligne primaire
TBA: trunk-bridger amplifier	TBA: amplificateur de dérivation de ligne primaire
BA: bridger amplifier	BA: amplificateur de dérivation
EA: spur amplifier (line extender/amplifier)	EA: amplificateur de distribution (répéteur de distribution)
TF: trunk feeder	TF: ligne primaire
BF: branch feeder	BF: ligne secondaire
SF: spur feeder	SF: ligne tertiaire
TAP: subscriber tap	TAP: dérivateur d'abonné
NTU: network termination unit	NTU: unité de terminaison de réseau
Home network (HN)	Réseau domestique (HN)
Single dwelling unit (SDU)	Logement individuel (SDU)
Subscriber terminal	Terminal d'abonné
System outlet	Prise d'abonné
In-house two-way amplifier	Amplificateur interne bidirectionnel
In-house repeating amplifier Building network (BN) with tree topology	Amplificateur de répétition interne Réseau de bâtiment (BN) avec topologie en arbre
Dwelling unit	Logement ou bureau (DU)

**Figure 4 – Exemple de système de distribution par câbles pour signaux de télévision et signaux de radiodiffusion sonore**



Anglais	Français
Remote terrestrial antenna	Antenne terrestre éloignée
Remote headend	Tête de réseau éloignée
Supertrunk feeder	Ligne de transfert
Local headend	Tête de réseau locale
Hub headend	Concentrateur de tête de réseau
Trunk feeder	Ligne primaire
Distribution point	Point de distribution
Branch feeder	Ligne secondaire
Spur feeder	Ligne tertiaire
Subscriber tap	Dérivateur d'abonné
Subscriber feeder (Drop feeder)	Ligne de raccordement
System outlet	Prise d'abonné

Figure 5 – Exemple de système de direction en aval d'un réseau de distribution par câbles pour signaux de télévision et signaux de radiodiffusion sonore (CATV)

# RÉSEAUX DE DISTRIBUTION PAR CÂBLES POUR SIGNAUX DE TÉLÉVISION, SIGNAUX DE RADIODIFFUSION SONORE ET SERVICES INTERACTIFS –

## Partie 101: Performances des systèmes de voie directe soumis à une charge de porteuses exclusivement numériques

### 1 Domaine d'application

La présente partie de l'IEC 60728 s'applique aux réseaux de distribution par câbles (y compris les systèmes individuels de réception) distribuant uniquement des canaux numériques, comportant dans le sens descendant une sortie à câble coaxial et essentiellement destinés aux signaux de télévision et aux signaux de radiodiffusion sonore, fonctionnant approximativement entre 30 MHz et 3 000 MHz.

La présente norme spécifie les méthodes fondamentales pour la mesure des caractéristiques opérationnelles d'un réseau de distribution par câbles comportant des sorties à câbles coaxiaux dans le but d'évaluer la performance de ces systèmes ainsi que leurs limites de performances.

### 2 Références normatives

Les documents suivants sont cités en référence de manière normative, en intégralité ou en partie, dans le présent document et sont indispensables pour son application. Pour les références datées, seule l'édition citée s'applique. Pour les références non datées, la dernière édition du document de référence s'applique (y compris les éventuels amendements).

IEC 60050-705, *Vocabulaire Electrotechnique International – Chapitre 705: Propagation des ondes radioélectriques*

IEC 60050-712, *Vocabulaire Electrotechnique International – Chapitre 712: Antennes*

IEC 60050-725, *Vocabulaire Electrotechnique International – Chapitre 725: Radiocommunications spatiales*

IEC 60728-1, *Cable networks for television signals, sound signals and interactive services – Part 1: System performance of forward paths* (disponible en anglais seulement)

IEC 60728-1-1, *Réseaux de distribution par câbles pour signaux de télévision, signaux de radiodiffusion sonore et services interactifs – Partie 1-1: Câblage RF pour réseaux domestiques bidirectionnels*

IEC 60728-1-2, *Réseaux de distribution par câbles pour signaux de télévision, signaux de radiodiffusion sonore et services interactifs – Partie 1-2: Exigences de performance relatives aux signaux délivrés à la prise terminale en fonctionnement*

IEC 60728-2, *Cable networks for television signals, sound signals and interactive services – Part 2: Electromagnetic compatibility for equipment* (disponible en anglais seulement)

IEC 60728-3, *Réseaux de distribution par câbles pour signaux de télévision, signaux de radiodiffusion sonore et services interactifs – Partie 3: Matériel actif à large bande pour réseaux de distribution par câbles*

IEC 60728-3-1, *Réseaux de distribution par câbles pour signaux de télévision, signaux de radiodiffusion sonore et services interactifs – Partie 3-1: Matériel actif à large bande pour réseaux de distribution par câbles – Méthodes de mesure de la non-linéarité pour une charge tout numérique de signaux DVB-C*

IEC 60728-5, *Cable networks for television signals, sound signals and interactive services – Part 5: Headend equipment* (disponible en anglais seulement)

IEC 60728-10, *Réseaux de distribution par câbles pour signaux de télévision, signaux de radiodiffusion sonore et services interactifs – Partie 10: Performances des systèmes de voie de retour*

IEC 60728-11, *Cable networks for television signals, sound signals and interactive services – Part 11: Safety* (disponible en anglais seulement)

IEC 60728-12, *Systèmes de distribution par câbles destinés aux signaux de radiodiffusion sonore et de télévision – Partie 12: Compatibilité électromagnétique des systèmes*

IEC 60966-2-4, *Cordons coaxiaux et cordons pour fréquences radioélectriques – Partie 2-4: Spécification particulière relative aux cordons pour récepteurs TV ou radio – Plage de fréquences de 0 MHz à 3 000 MHz, connecteurs IEC 61169-2*

IEC 60966-2-5, *Ensembles de cordons coaxiaux et de cordons pour fréquences radioélectriques – Partie 2-5: Spécification particulière pour cordons de connexion de récepteurs radio ou TV – Bande de fréquences de 0 MHz à 1 000 MHz, connecteurs IEC 61169-2*

IEC 60966-2-6, *Ensemble de cordons coaxiaux et de cordons pour fréquences radioélectriques – Partie 2-6: Spécification particulière pour cordons de connexion de récepteurs radio ou TV – Bande de fréquences de 0 MHz à 3 000 MHz, connecteurs IEC 61169-24*

ISO/IEC 13818-1, *Technologies de l'information – Codage générique des images animées et du son associé – Partie 1: Systèmes*

ISO/IEC 13818-2, *Technologies de l'information – Codage générique des images animées et du son associé – Partie 2: Données vidéo*

ISO/IEC 13818-3, *Technologies de l'information – Codage générique des images animées et des informations sonores associées – Partie 3: Son*

ISO/IEC 13818-4, *Technologies de l'information – Codage générique des images animées et des informations sonores associées – Partie 4: Essais de conformité*

ISO/IEC 14496-1, *Technologies de l'information – Codage des objets audiovisuels – Partie 1: Systèmes*

ISO/IEC 14496-2, *Technologies de l'information – Codage des objets audiovisuels – Partie 2: Codage visuel*

ISO/IEC 14496-3, *Technologies de l'information – Codage des objets audiovisuels – Partie 3: Codage audio*

EN 50248, *Caractéristiques du récepteur DAB*

ETSI EN 300 421, *Digital Video Broadcasting (DVB) – Framing structure, channel coding and modulation for 11/12 GHz satellite services* (disponible en anglais seulement)

ETSI EN 300 429, *Digital Video Broadcasting (DVB) – Framing structure, channel coding and modulation for cable systems* (disponible en anglais seulement)

ETSI EN 300 468, *Digital Video Broadcasting (DVB) – Specification for Service Information (SI) in DVB systems* (disponible en anglais seulement)

ETSI EN 300 473, *Digital Video Broadcasting (DVB) – Satellite Master Antenna Television (SMATV) distribution systems* (disponible en anglais seulement)

ETSI EN 300 744, *Digital Video Broadcasting (DVB) – Framing structure, channel coding and modulation for digital terrestrial television* (disponible en anglais seulement)

ETSI EN 300 748, *Digital Video Broadcasting (DVB) – Multipoint Video Distribution Systems (MVDS) at 10 GHz and above* (disponible en anglais seulement)

ETSI EN 300 749, *Digital Video Broadcasting (DVB) – Microwave Multipoint Distribution Systems (MMDS) below 10 GHz* (disponible en anglais seulement)

ETSI EN 302 307, *Digital Video Broadcasting (DVB) – Second generation framing structure, channel coding and modulation systems for Broadcasting, Interactive Services, News Gathering and other broadband satellite* (disponible en anglais seulement)

ETSI EN 302 755, *Digital Video Broadcasting (DVB) – Frame structure, channel coding and modulation for a second generation digital terrestrial television broadcasting system (DVB-T2)* (disponible en anglais seulement)

ETSI EN 302 769, *Digital Video Broadcasting (DVB) – Frame structure channel coding and modulation for a second generation digital transmission system for cable systems (DVB-C2)* (disponible en anglais seulement)

ETSI EN 300 784, *Satellite Earth Stations and Systems (SES) – TeleVision Receive-Only (TVRO) satellite earth stations operating in the 11/12 GHz frequency bands* (disponible en anglais seulement)

ETSI TR 101 211, *Digital Video Broadcasting (DVB) – Guidelines on implementation and usage of Service Information (SI)* (disponible en anglais seulement)

ETSI TR 101 290, *Digital Video Broadcasting (DVB) – Measurement guidelines for DVB systems* (disponible en anglais seulement)

ETSI TS 102 831 – V1.1.1 (2010-10), *Digital Video Broadcasting (DVB) – Implementation guidelines for a second generation digital terrestrial television broadcasting system (DVB-T2)* (disponible en anglais seulement)

ETSI TS 102 991 – V1.2.1 (2011-06), *Digital Video Broadcasting (DVB) – Implementation guidelines for a second generation digital cable transmission system (DVB-C2)* (disponible en anglais seulement)