

# INTERNATIONAL STANDARD

# NORME INTERNATIONALE

---

**Connectors for electrical and electronic equipment – Product requirements – Part 3-123: Rectangular connectors – Detail specification for hybrid connectors for industrial environments, for power supply and fibre optic data transmission, with push-pull locking**

**Connecteurs pour équipements électriques et électroniques – Exigences de produit – Partie 3-123: Connecteurs rectangulaires – Spécification particulière relative aux connecteurs hybrides dans des environnements industriels pour l'alimentation et la transmission de données fibronique, avec verrouillage de type pousser-tirer**

INTERNATIONAL  
ELECTROTECHNICAL  
COMMISSION

COMMISSION  
ELECTROTECHNIQUE  
INTERNATIONALE

---

ICS 31.220.10

ISBN 978-2-8322-7351-7

**Warning! Make sure that you obtained this publication from an authorized distributor.  
Attention! Veuillez vous assurer que vous avez obtenu cette publication via un distributeur agréé.**

## CONTENTS

FOREWORD.....	5
INTRODUCTION.....	7
1 Scope.....	8
2 Normative references .....	8
3 Terms, definitions, and abbreviated terms .....	12
3.1 Terms and definitions.....	12
3.2 Abbreviated terms.....	13
4 Technical information .....	13
4.1 Systems of levels.....	13
4.1.1 Performance levels .....	13
4.1.2 Compatibility levels, according to IEC 61076-1:2006.....	13
4.2 Classification into climatic categories.....	13
4.3 Clearance and creepage distances .....	14
4.4 Current-carrying capacity .....	14
4.5 Marking.....	14
5 Dimensional information .....	14
5.1 Common features.....	14
5.2 Reference system.....	14
5.3 Engagement (mating) information .....	14
5.3.1 Engaging (mating) direction .....	14
5.3.2 Contact levels and sequencing .....	15
5.3.3 Perpendicular to the engaging (mating) direction .....	15
5.3.4 Inclination.....	15
5.4 Fixed connectors .....	15
5.4.1 Fixed connectors – A-coding.....	15
5.4.2 Fixed connectors – B-coding.....	18
5.5 Free connectors.....	19
5.5.1 Free connectors – A – coding .....	19
5.5.2 Free connectors – B-coding .....	21
5.6 Accessories .....	22
5.7 Mounting information for connectors .....	22
5.8 Gauges.....	22
5.8.1 Sizing gauges and retention force gauges .....	22
5.8.2 Mechanical function, engaging/separating/insertion/withdrawal force gauges .....	23
5.8.3 Probes.....	23
5.8.4 Contact resistance gauge .....	23
5.8.5 Test panel (for voltage proof test).....	23
5.8.6 Test panel (for EMC/crosstalk, etc.).....	23
6 Characteristics .....	23
6.1 General.....	23
6.2 Pin assignment and other definitions.....	24
6.3 Classification into climatic categories.....	24
6.4 Electrical characteristics .....	24
6.4.1 Creepage and clearance distances .....	24
6.4.2 Voltage proof.....	24

6.4.3	Current-carrying capacity.....	24
6.4.4	Contact and shield resistance.....	25
6.4.5	Insulation resistance.....	25
6.4.6	Impedance.....	25
6.4.7	Transmission characteristics.....	25
6.5	Mechanical characteristics.....	25
6.5.1	Mechanical operation.....	25
6.5.2	Effectiveness of connector coupling devices.....	26
6.5.3	Engaging and separating forces (or insertion and withdrawal forces).....	26
6.5.4	Contact retention in insert.....	26
6.5.5	Polarizing and coding method.....	26
6.6	Other characteristics.....	26
6.6.1	Vibration (method half-sine).....	26
6.6.2	Shock (method half-sine).....	27
6.6.3	Degree of protection provided by enclosures (IP-code).....	28
6.6.4	Screen and shielding properties.....	28
6.6.5	Static load test.....	28
6.7	Environmental aspects.....	28
6.7.1	Marking of insulation material (plastics).....	28
6.7.2	Design/use of material.....	28
7	Test schedule.....	28
7.1	General.....	28
7.1.1	Overview.....	28
7.1.2	Climatic category.....	28
7.1.3	Creepage and clearance distances.....	29
7.1.4	Arrangement for contact resistance measurement.....	29
7.1.5	Arrangement for dynamic stress tests.....	30
7.1.6	Arrangement for testing static load, axial.....	30
7.1.7	Wiring of specimens.....	30
7.2	Test schedules.....	31
7.2.1	Basic (minimum) test schedule, see Table 12.....	31
7.2.2	Full test schedule.....	31
7.3	Test procedures and measuring methods.....	43
7.4	Pre-conditioning.....	43
7.5	Wiring and mounting of specimens.....	43
7.5.1	Wiring.....	43
7.5.2	Mounting.....	44
	Figure 1 – Section showing mating direction.....	14
	Figure 2 – Fixed connector with female contacts – A-coding.....	16
	Figure 3 – Fixed connector with female contacts – B-coding.....	18
	Figure 4 – Free connector with male contacts – A-coding.....	19
	Figure 5 – Free connector with male contacts – B-coding.....	22
	Figure 6 – Gauge dimensions.....	23
	Figure 7 – Vibration and shock test arrangement.....	27
	Figure 8 – Contact resistance arrangement.....	30

Table 1 – Climatic category.....	13
Table 2 – Dimensions of fixed connector – A-coding .....	17
Table 3 – Dimensions of fixed connector – B-coding .....	18
Table 4 – Dimensions of free connector – A-coding .....	20
Table 5 – Dimensions of free connector – B-coding .....	22
Table 6 – Gauge dimensions.....	23
Table 7 – Ratings of connectors.....	24
Table 8 – Current-carrying capacity .....	25
Table 9 – Number of mechanical operations .....	26
Table 10 – Total insertion force.....	26
Table 11 – Rated voltage – Rated impulse voltage – Pollution degree .....	29
Table 12 – Basic tests .....	31
Table 13 – Number of test specimens and contacts .....	32
Table 14 – Test group P .....	32
Table 15 – Test group AP .....	33
Table 16 – Test group BP .....	35
Table 17 – Test group CP .....	36
Table 18 – Test group DP .....	37
Table 19 – Test group EP .....	38
Table 20 – Test group FP .....	39
Table 21 – Test group GP .....	40
Table 22 – Test group JP .....	41
Table 23 – Test group KP .....	41

## INTERNATIONAL ELECTROTECHNICAL COMMISSION

---

**CONNECTORS FOR ELECTRICAL AND ELECTRONIC EQUIPMENT –  
PRODUCT REQUIREMENTS –**
**Part 3-123: Rectangular connectors – Detail specification for hybrid  
connectors for industrial environments, for power supply and fibre optic  
data transmission, with push-pull locking**

## FOREWORD

- 1) The International Electrotechnical Commission (IEC) is a worldwide organization for standardization comprising all national electrotechnical committees (IEC National Committees). The object of IEC is to promote international co-operation on all questions concerning standardization in the electrical and electronic fields. To this end and in addition to other activities, IEC publishes International Standards, Technical Specifications, Technical Reports, Publicly Available Specifications (PAS) and Guides (hereafter referred to as "IEC Publication(s)"). Their preparation is entrusted to technical committees; any IEC National Committee interested in the subject dealt with may participate in this preparatory work. International, governmental and non-governmental organizations liaising with the IEC also participate in this preparation. IEC collaborates closely with the International Organization for Standardization (ISO) in accordance with conditions determined by agreement between the two organizations.
- 2) The formal decisions or agreements of IEC on technical matters express, as nearly as possible, an international consensus of opinion on the relevant subjects since each technical committee has representation from all interested IEC National Committees.
- 3) IEC Publications have the form of recommendations for international use and are accepted by IEC National Committees in that sense. While all reasonable efforts are made to ensure that the technical content of IEC Publications is accurate, IEC cannot be held responsible for the way in which they are used or for any misinterpretation by any end user.
- 4) In order to promote international uniformity, IEC National Committees undertake to apply IEC Publications transparently to the maximum extent possible in their national and regional publications. Any divergence between any IEC Publication and the corresponding national or regional publication shall be clearly indicated in the latter.
- 5) IEC itself does not provide any attestation of conformity. Independent certification bodies provide conformity assessment services and, in some areas, access to IEC marks of conformity. IEC is not responsible for any services carried out by independent certification bodies.
- 6) All users should ensure that they have the latest edition of this publication.
- 7) No liability shall attach to IEC or its directors, employees, servants or agents including individual experts and members of its technical committees and IEC National Committees for any personal injury, property damage or other damage of any nature whatsoever, whether direct or indirect, or for costs (including legal fees) and expenses arising out of the publication, use of, or reliance upon, this IEC Publication or any other IEC Publications.
- 8) Attention is drawn to the Normative references cited in this publication. Use of the referenced publications is indispensable for the correct application of this publication.
- 9) Attention is drawn to the possibility that some of the elements of this IEC Publication may be the subject of patent rights. IEC shall not be held responsible for identifying any or all such patent rights.

International Standard IEC 61076-3-123 has been prepared by subcommittee 48B: Electrical connectors, of IEC technical committee 48: Electrical connectors and mechanical structures for electrical and electronic equipment.

The text of this standard is based on the following documents:

FDIS	Report on voting
48B/2742/FDIS	48B/2753/RVD

Full information on the voting for the approval of this International Standard can be found in the report on voting indicated in the above table.

This document has been drafted in accordance with the ISO/IEC Directives, Part 2.

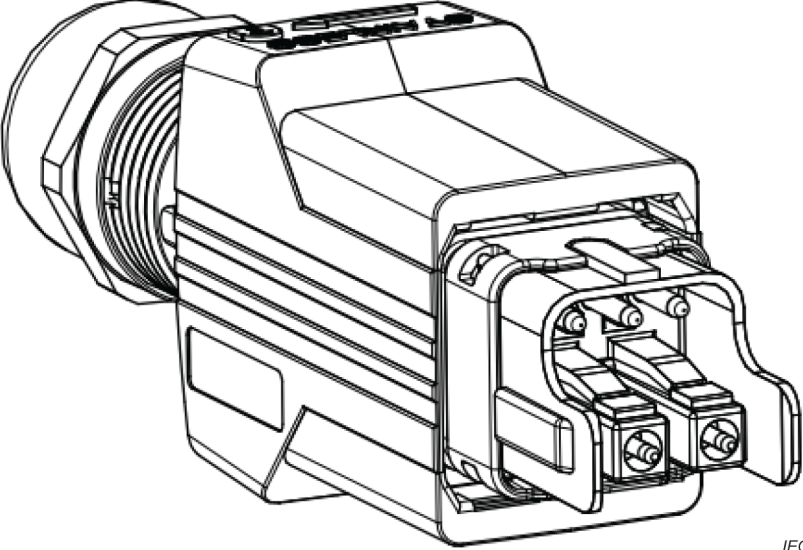
A list of all parts in the IEC 61076 series, published under the general title *Connectors for electrical and electronic equipment – Product requirements*, can be found on the IEC website.

Future standards in this series will carry the new general title as cited above. Titles of existing standards in this series will be updated at the time of the next edition.

The committee has decided that the contents of this document will remain unchanged until the stability date indicated on the IEC website under "<http://webstore.iec.ch>" in the data related to the specific document. At this date, the document will be

- reconfirmed,
- withdrawn,
- replaced by a revised edition, or
- amended.

## INTRODUCTION

<p>IEC SC 48B – Electrical connectors</p> <p>Specification available from:</p> <p>IEC General secretariat</p> <p>or from the addresses shown on the inside cover.</p>	IEC 61076-3-123 Ed.1
DETAIL SPECIFICATION in accordance with IEC 61076-1	
	<p>Rectangular connectors</p> <p>Detail specification for hybrid connectors for industrial environments, for power supply and fibre optic data transmission, with push-pull locking</p> <p>Male and female connectors</p> <p>Male and female contacts</p> <p>Optical ferrules and adaptors</p> <p>Rewirable –</p> <p>Non-rewirable</p>
	<p>Free cable connectors</p> <p>Straight and right angle connectors</p> <p>Fixed connectors</p> <p>Flange mounting</p> <p>Single hole mounting</p>

## CONNECTORS FOR ELECTRICAL AND ELECTRONIC EQUIPMENT – PRODUCT REQUIREMENTS –

### Part 3-123: Rectangular connectors – Detail specification for hybrid connectors for industrial environments, for power supply and fibre optic data transmission, with push-pull locking

#### 1 Scope

This part of IEC 61076 covers hybrid rectangular connectors with a 3 poles 16 A electric portion for power supply and a duplex fibre optic connector type LC portion for data transmission. These connectors consist of fixed and free connectors, either rewirable or non-rewirable (for both portions) and use the rectangular push-pull housing described in IEC 61076-3-117 with IP65/IP67 degree of protection, for harsh applications. The mating dimensions of such housings allow fulfilling the performance class Category I according to IEC 61753-1-3 in regards to the fibre optic portion of the connector with the exception of the operating temperature range which is –25 °C/+70 °C.

The electric portion may have different rated insulation voltages. Male connectors have 3 electric round contacts Ø1,6 mm, with 16 A rated current.

NOTE Only the phase/neutral contacts are loaded upon current-carrying capacity test of 4.4 and 6.4.3 and electrical load and temperature test in 7.2.2.6 (DP2) and 7.2.2.12 (KP5)

The fibre optic portion provides data transmission by using the common mating configurations for all variants of the type LC duplex fibre optic connectors as defined in IEC 61754-20, for dedicated fibre types and fibre termination technology covered therein.

The different codings provided by this document prevent the mating of accordingly coded male or female connectors to any other similarly sized interfaces covered by other standards and the cross-mating between the different codings provided by this document.

#### 2 Normative references

The following documents are referred to in the text in such a way that some or all of their content constitutes requirements of this document. For dated references, only the edition cited applies. For undated references, the latest edition of the referenced document (including any amendments) applies.

IEC 60050-581:2008, *International Electrotechnical Vocabulary – Chapter 581: Electro-mechanical components for electronic equipment*

IEC 60068-1, *Environmental testing – Part 1: General and guidance*

IEC 60068-2-30, *Environmental testing – Part 2-30: Tests – Test Db: Damp heat, cyclic (12 h + 12 h cycle)*

IEC 60352-1:1997, *Solderless connections – Part 1: Wrapped connections – General requirements, test methods and practical guidance*

IEC 60352-2:2006, *Solderless connections – Part 2: Crimped connections – General requirements, test methods and practical guidance*



IEC 60352-3:1993, *Solderless connections – Part 3: Solderless accessible insulation displacement connections – General requirements, test methods and practical guidance*

IEC 60352-4:1994, *Solderless connections – Part 4: Solderless non-accessible insulation displacement connections – General requirements, test methods and practical guidance*

IEC 60352-5:2012, *Solderless connections – Part 5: Press-in connections – General requirements, test methods and practical guidance*

IEC 60352-6:1997, *Solderless connections – Part 6: Insulation piercing connections – General requirements, test methods and practical guidance*

IEC 60352-7:2002, *Solderless connections – Part 7: Spring clamp connections – General requirements, test methods and practical guidance*

IEC 60352-8:2011, *Solderless connections – Part 8: Compression mount connections – General requirements, test methods and practical guidance*

IEC 60512-1-1, *Connectors for electronic equipment – Tests and measurements – Part 1-1: General examination – Test 1a: Visual examination*

IEC 60512-1-2:2002, *Connectors for electronic equipment – Tests and measurements – Part 1-2: General examination – Test 1b: Examination of dimension and mass*

IEC 60512-2-1:2002, *Connectors for electronic equipment – Tests and measurements – Part 2-1: Electrical continuity and contact resistance tests – Test 2a: Contact resistance – Millivolt level method*

IEC 60512-2-2, *Connectors for electronic equipment – Tests and measurements – Part 2-2: Electrical continuity and contact resistance tests – Test 2b: Contact resistance – Specified test current method*

IEC 60512-2-5, *Connectors for electronic equipment – Tests and measurements – Part 2-5: Electrical continuity and contact resistance tests – Test 2e: Contact disturbance*

IEC 60512-3-1:2002, *Connectors for electronic equipment – Tests and measurements – Part 3-1: Insulation tests – Test 3a: Insulation resistance*

IEC 60512-4-1:2003, *Connectors for electronic equipment – Tests and measurements – Part 4-1: Voltage stress tests – Test 4a: Voltage proof*

IEC 60512-5-2:2002, *Connectors for electronic equipment – Tests and measurements – Part 5-2: Current-carrying capacity tests – Test 5b: Current-temperature derating*

IEC 60512-6-3:2002, *Connectors for electronic equipment – Tests and measurements – Part 6-3: Dynamic stress tests – Test 6c: Shock*

IEC 60512-6-4:2002, *Connectors for electronic equipment – Tests and measurements – Part 6-4: Dynamic stress tests – Test 6d: Vibration (sinusoidal)*

IEC 60512-6-5, *Electromechanical components for electronic equipment – Basic testing procedures and measuring methods – Part 6: Dynamic stress tests – Section 5: Test 6e: Random vibration*

IEC 60512-8-1:2010, *Connectors for electronic equipment – Tests and measurements – Part 8-1: Static load tests (fixed connectors) – Test 8a: Static load, transverse*

IEC 60512-8-2:2011, *Connectors for electronic equipment – Tests and measurements – Part 8-2: Static load tests (fixed connectors) – Test 8b: Static load, axial*

IEC 60512-9-1:2010, *Connectors for electronic equipment – Tests and measurements – Part 9-1: Endurance tests – Test 9a: Mechanical operation*

IEC 60512-9-2, *Connectors for electronic equipment – Tests and measurements – Part 9-2: Endurance tests – Test 9b: Electrical load and temperature*

IEC 60512-11-1, *Connectors for electrical and electronic equipment – Tests and measurements – Part 11-1: Climatic tests – Test 11a – Climatic sequence*

IEC 60512-11-3, *Connectors for electronic equipment – Tests and measurements – Part 11-3: Climatic tests – Test 11c: Damp heat, steady state*

IEC 60512-11-4, *Connectors for electronic equipment – Tests and measurements – Part 11-4: Climatic tests – Test 11d: Rapid change of temperature*

IEC 60512-11-9, *Connectors for electronic equipment – Tests and measurements – Part 11-9: Climatic tests – Test 11i: Dry heat*

IEC 60512-11-10, *Connectors for electronic equipment – Tests and measurements – Part 11-10: Climatic tests – Test 11j: Cold*

IEC 60512-11-12, *Connectors for electronic equipment – Tests and measurements – Part 11-12: Climatic tests – Test 11m: Damp heat, cyclic*

IEC 60512-12-4, *Connectors for electronic equipment – Tests and measurements – Part 12-4: Soldering tests – Test 12d: Resistance to soldering heat, solder bath method*

IEC 60512-12-5, *Connectors for electronic equipment – Tests and measurements – Part 12-5: Soldering tests – Test 12e: Resistance to soldering heat, soldering iron method*

IEC 60512-13-1:2006, *Connectors for electronic equipment – Tests and measurements – Part 13-1: Mechanical operation tests – Test 13a: Engaging and separating forces*

IEC 60512-13-2, *Connectors for electronic equipment – Tests and measurements – Part 13-2: Mechanical operation tests – Test 13b: Insertion and withdrawal forces*

IEC 60512-13-5:2006, *Connectors for electronic equipment – Tests and measurements – Part 13-5: Mechanical operation tests – Test 13e: Polarizing and keying method*

IEC 60512-14-7, *Electromechanical components for electronic equipment – Basic testing procedures and measuring methods – Part 14: Sealing tests – Section 7: Test 14g: Impacting water*

IEC 60512-15-1, *Connectors for electronic equipment – Tests and measurements – Part 15-1: Connector tests (mechanical) – Test 15a: Contact retention in insert*

IEC 60512-15-6:2008, *Connectors for electronic equipment – Tests and measurements – Part 15-6: Connector tests (mechanical) – Test 15f: Effectiveness of connector coupling devices*

IEC 60512-16-5, *Connectors for electronic equipment – Tests and measurements – Part 16-5: Mechanical tests on contacts and terminations – Test 16e: Gauge retention force (resilient contacts)*

IEC 60512-17-3, *Connectors for electronic equipment – Tests and measurements – Part 17-3: Cable clamping tests – Test 17c: Cable clamp resistance to cable pull (tensile)*

IEC 60512-17-4, *Connectors for electronic equipment – Tests and measurements – Part 17-4: Cable clamping tests – Test 17d: Cable clamp resistance to cable torsion*

IEC 60512-19-3, *Electromechanical components for electronic equipment – Basic testing procedures and measuring methods – Part 19: Chemical resistance tests – Section 3: Test 19c – Fluid resistance*

IEC 60529:1989, *Degrees of protection provided by enclosures (IP Code)*

IEC 60603-7, *Connectors for electronic equipment – Part 7: Detail specification for 8-way, unshielded, free and fixed connectors*

IEC 60664-1:2007, *Insulation coordination for equipment within low-voltage systems – Part 1: Principles, requirements and tests*

IEC 60793-2-10, *Optical fibres – Part 2-10: Product specifications – Sectional specification for category A1 multimode fibres*

IEC 60793-2-50, *Optical fibres – Part 2-50: Product specifications – Sectional specification for class B single-mode fibres*

IEC 60999-1, *Connecting devices – Electrical copper conductors – Safety requirements for screw-type and screwless-type clamping units Part 1: General requirements and particular requirements for clamping units for conductors from 0,2 mm<sup>2</sup> up to 35 mm<sup>2</sup> (included)*

IEC 60999-2, *Connecting devices – Electrical copper conductors – Safety requirements for screw-type and screwless-type clamping units – Part 2: Particular requirements for clamping units for conductors above 35 mm<sup>2</sup> up to 300 mm<sup>2</sup> (included)*

IEC 61076-1:2006, *Connectors for electronic equipment – Product requirements – Part 1: Generic specification*

IEC 61076-3:2008, *Connectors for electronic equipment – Product requirements – Part 3: Rectangular connectors – Sectional specification*

IEC 61076-3-117:2009, *Connectors for electronic equipment – Product requirements – Part 3-117: Rectangular connectors – Detail specification for protective housings for use with 8-way shielded and unshielded connectors for industrial environments incorporating the IEC 60603-7 series interface – Variant 14 related to IEC 61076-3-106 – Push-pull coupling*

IEC 61076-7-100, *Connectors for electronic equipment – Product requirements – Part 7-100: Cable outlet accessories – Detail specification for a metric cable sealing consisting of an integrated part of heavy-duty rectangular or circular connector hoods and a sealing system*

IEC 61156-1:2007, *Multicore and symmetrical pair/quad cables for digital communications – Part 1: Generic specification*

IEC 61300-3-1:2005, *Fibre optic interconnecting devices and passive components – Basic test and measurement procedures – Part 3-1: Examinations and measurements – Visual examination*

IEC 61300-3-4:2012, *Fibre optic interconnecting devices and passive components – Basic test and measurement procedures – Part 3-4: Examinations and measurements – Attenuation*

IEC 61300-3-6:2008, *Fibre optic interconnecting devices and passive components – Basic test and measurement procedures – Part 3-6: Examinations and measurements – Return loss*

IEC 61300-3-11:1995, *Fibre optic interconnecting devices and passive components – Basic test and measurement procedures – Part 3-11: Examinations and measurements – Engagement and separation forces*

IEC 61300-3-35:2015, *Fibre optic interconnecting devices and passive components – Basic test and measurement procedures – Part 3-35: Examinations and measurements – Visual inspection of fibre optic connectors and fibre-stub transceivers*

IEC 61300-3-47:2014, *Fibre optic interconnecting devices and passive components – Basic test and measurement procedures – Part 3-47: Examinations and measurements – End face geometry of PC/APC spherically polished ferrules using interferometry*

IEC 61753-1-3:2014, *Fibre optic interconnecting devices and passive components – Performance standard – Part 1-3: General and guidance for single-mode fibre optic connector and cable assembly for industrial environment, Category I*

IEC 61754-20:2012, *Fibre optic interconnecting devices and passive components – Fibre optic connector interfaces – Part 20: Type LC connector family*

IEC 61755-3-1:2006, *Fibre optic connector optical interfaces – Part 3-1: Optical interface, 2,5 mm and 1,25 mm diameter cylindrical full zirconia PC ferrule, single mode fibre*

IEC 61984:2008, *Connectors – Safety requirements and tests*

IEC 62430:2009, *Environmentally conscious design for electrical and electronic products*

IEC 62664-1-1:2013, *Fibre optic interconnecting devices and passive components – Fibre optic connector product specifications – Part 1-1: LC-PC duplex multimode connectors terminated on IEC 60793-2-10 category A1a fibre*

IEC 62664-1-3, *Fibre optic interconnecting devices and passive components – Fibre optic connector product specifications – Part 1-3: LC-PC duplex singlemode connectors terminated on IEC 60793-2-50 category B1.1 and B1.3 fibre (to be published)*

IEC Guide 109, *Environmental aspects – Inclusion in electrotechnical product standards*

ISO 128-30:2001, *Technical drawings – General principles of presentation – Part 30: Basic conventions for views*

ISO 1302:2002, *Geometrical Product Specifications (GPS) – Indication of surface texture in technical product documentation*

ISO 11469:2016, *Plastics – Generic identification and marking of plastics products*

## SOMMAIRE

AVANT-PROPOS .....	49
INTRODUCTION.....	51
1 Domaine d'application .....	52
2 Références normatives .....	52
3 Termes, définitions et termes abrégés .....	57
3.1 Termes et définitions .....	57
3.2 Termes abrégés .....	57
4 Informations techniques.....	57
4.1 Systèmes de niveaux .....	57
4.1.1 Niveaux de performances .....	57
4.1.2 Niveaux de compatibilité selon l'IEC 61076-1:2006.....	58
4.2 Classification en catégories climatiques .....	58
4.3 Distances d'isolement et lignes de fuite .....	58
4.4 Courant limite .....	58
4.5 Marquage .....	58
5 Informations relatives aux dimensions .....	58
5.1 Caractéristiques communes .....	58
5.2 Système de référence .....	59
5.3 Informations relatives à l'accouplement .....	59
5.3.1 Sens d'accouplement.....	59
5.3.2 Niveaux de contact et séquençage .....	59
5.3.3 Perpendiculaire au sens d'accouplement .....	59
5.3.4 Inclinaison .....	59
5.4 Embases.....	60
5.4.1 Embases – Détrompage A .....	60
5.4.2 Embases – Détrompage B .....	62
5.5 Fiches.....	63
5.5.1 Fiches – Détrompage A .....	63
5.5.2 Fiches – Détrompage B .....	65
5.6 Accessoires .....	66
5.7 Informations relatives au montage des connecteurs .....	66
5.8 Calibres .....	66
5.8.1 Calibres de dimensionnement et calibres de force de rétention.....	66
5.8.2 Calibres concernant les fonctions mécaniques, les forces d'accouplement/de désaccouplement/d'insertion/d'extraction .....	67
5.8.3 Sondes .....	67
5.8.4 Calibre de résistance de contact.....	67
5.8.5 Panneau d'essai (pour l'essai de tension de tenue) .....	67
5.8.6 Panneau d'essai (pour la compatibilité électromagnétique/la diaphonie, etc.).....	67
6 Caractéristiques .....	68
6.1 Généralités .....	68
6.2 Affectation des broches et autres définitions .....	68
6.3 Classification en catégories climatiques .....	68
6.4 Caractéristiques électriques .....	68
6.4.1 Lignes de fuite et distances d'isolement.....	68
6.4.2 Tension de tenue .....	68

6.4.3	Courant limite .....	69
6.4.4	Résistance de contact et de blindage .....	69
6.4.5	Résistance d'isolement .....	69
6.4.6	Impédance .....	69
6.4.7	Caractéristiques de transmission .....	69
6.5	Caractéristiques mécaniques .....	69
6.5.1	Fonctionnement mécanique .....	69
6.5.2	Efficacité des dispositifs d'accouplement des connecteurs .....	70
6.5.3	Forces d'accouplement et de désaccouplement (ou d'insertion et d'extraction) .....	70
6.5.4	Rétention des contacts dans l'isolant .....	70
6.5.5	Méthode de polarisation et de détrompage .....	70
6.6	Autres caractéristiques .....	70
6.6.1	Vibrations (méthode semi-sinusoïdale) .....	70
6.6.2	Chocs (méthode semi-sinusoïdale) .....	71
6.6.3	Degré de protection procuré par les enveloppes (code IP) .....	71
6.6.4	Propriétés d'écran et de blindage .....	72
6.6.5	Essai de charge statique .....	72
6.7	Aspects environnementaux .....	72
6.7.1	Marquage des matériaux d'isolation (plastiques) .....	72
6.7.2	Conception/utilisation des matériaux .....	72
7	Programme d'essais .....	72
7.1	Généralités .....	72
7.1.1	Vue d'ensemble .....	72
7.1.2	Catégorie climatique .....	72
7.1.3	Lignes de fuite et distances d'isolement .....	72
7.1.4	Montage pour la mesure de la résistance de contact .....	73
7.1.5	Montage pour les essais de contraintes dynamiques .....	74
7.1.6	Montage pour les essais de charge statique axiale .....	74
7.1.7	Câblage des spécimens .....	74
7.2	Programmes d'essais .....	74
7.2.1	Programme d'essais de base (minimal), voir Tableau 12 .....	74
7.2.2	Programme d'essais complet .....	75
7.3	Procédures d'essai et méthodes de mesure .....	88
7.4	Préconditionnement .....	88
7.5	Câblage et montage des spécimens .....	88
7.5.1	Câblage .....	88
7.5.2	Montage .....	89
	Figure 1 – Vue en coupe indiquant le sens d'accouplement .....	59
	Figure 2 – Embase avec contacts femelles – Détrompage A .....	60
	Figure 3 – Embase avec contacts femelles – Détrompage B .....	62
	Figure 4 – Fiche avec contacts mâles – Détrompage A .....	63
	Figure 5 – Fiche avec contacts mâles – Détrompage B .....	66
	Figure 6 – Dimensions des calibres .....	67
	Figure 7 – Montage d'essai de vibrations et de chocs .....	71
	Figure 8 – Montage de résistance de contact .....	73

Tableau 1 – Catégorie climatique.....	58
Tableau 2 – Dimensions d'une embase – Détrompage A.....	61
Tableau 3 – Dimensions d'une embase – Détrompage B.....	62
Tableau 4 – Dimensions d'une fiche – Détrompage A.....	64
Tableau 5 – Dimensions d'une fiche – Détrompage B.....	66
Tableau 6 – Dimensions des calibres.....	67
Tableau 7 – Caractéristiques assignées des connecteurs.....	68
Tableau 8 – Courant limite.....	69
Tableau 9 – Nombre de manœuvres mécaniques.....	70
Tableau 10 – Force totale d'insertion.....	70
Tableau 11 – Tension assignée – Tension de choc assignée – Degré de pollution.....	73
Tableau 12 – Essais de base.....	74
Tableau 13 – Nombre de spécimens d'essai et de contacts.....	75
Tableau 14 – Groupe d'essais P.....	76
Tableau 15 – Groupe d'essais AP.....	77
Tableau 16 – Groupe d'essais BP.....	79
Tableau 17 – Groupe d'essais CP.....	81
Tableau 18 – Groupe d'essais DP.....	82
Tableau 19 – Groupe d'essais EP.....	83
Tableau 20 – Groupe d'essais FP.....	84
Tableau 21 – Groupe d'essais GP.....	85
Tableau 22 – Groupe d'essais JP.....	86
Tableau 23 – Groupe d'essais KP.....	86

## COMMISSION ÉLECTROTECHNIQUE INTERNATIONALE

---

**CONNECTEURS POUR ÉQUIPEMENTS ÉLECTRIQUES  
ET ÉLECTRONIQUES – EXIGENCES DE PRODUIT –****Partie 3-123: Connecteurs rectangulaires – Spécification particulière  
relative aux connecteurs hybrides dans des environnements industriels  
pour l'alimentation et la transmission de données fibronique, avec  
verrouillage de type pousser-tirer**

## AVANT-PROPOS

- 1) La Commission Electrotechnique Internationale (IEC) est une organisation mondiale de normalisation composée de l'ensemble des comités électrotechniques nationaux (Comités nationaux de l'IEC). L'IEC a pour objet de favoriser la coopération internationale pour toutes les questions de normalisation dans les domaines de l'électricité et de l'électronique. A cet effet, l'IEC – entre autres activités – publie des Normes internationales, des Spécifications techniques, des Rapports techniques, des Spécifications accessibles au public (PAS) et des Guides (ci-après dénommés "Publication(s) de l'IEC"). Leur élaboration est confiée à des comités d'études, aux travaux desquels tout Comité national intéressé par le sujet traité peut participer. Les organisations internationales, gouvernementales et non gouvernementales, en liaison avec l'IEC, participent également aux travaux. L'IEC collabore étroitement avec l'Organisation Internationale de Normalisation (ISO), selon des conditions fixées par accord entre les deux organisations.
- 2) Les décisions ou accords officiels de l'IEC concernant les questions techniques représentent, dans la mesure du possible, un accord international sur les sujets étudiés, étant donné que les Comités nationaux de l'IEC intéressés sont représentés dans chaque comité d'études.
- 3) Les Publications de l'IEC se présentent sous la forme de recommandations internationales et sont agréées comme telles par les Comités nationaux de l'IEC. Tous les efforts raisonnables sont entrepris afin que l'IEC s'assure de l'exactitude du contenu technique de ses publications; l'IEC ne peut pas être tenue responsable de l'éventuelle mauvaise utilisation ou interprétation qui en est faite par un quelconque utilisateur final.
- 4) Dans le but d'encourager l'uniformité internationale, les Comités nationaux de l'IEC s'engagent, dans toute la mesure possible, à appliquer de façon transparente les Publications de l'IEC dans leurs publications nationales et régionales. Toutes divergences entre toutes Publications de l'IEC et toutes publications nationales ou régionales correspondantes doivent être indiquées en termes clairs dans ces dernières.
- 5) L'IEC elle-même ne fournit aucune attestation de conformité. Des organismes de certification indépendants fournissent des services d'évaluation de conformité et, dans certains secteurs, accèdent aux marques de conformité de l'IEC. L'IEC n'est responsable d'aucun des services effectués par les organismes de certification indépendants.
- 6) Tous les utilisateurs doivent s'assurer qu'ils sont en possession de la dernière édition de cette publication.
- 7) Aucune responsabilité ne doit être imputée à l'IEC, à ses administrateurs, employés, auxiliaires ou mandataires, y compris ses experts particuliers et les membres de ses comités d'études et des Comités nationaux de l'IEC, pour tout préjudice causé en cas de dommages corporels et matériels, ou de tout autre dommage de quelque nature que ce soit, directe ou indirecte, ou pour supporter les coûts (y compris les frais de justice) et les dépenses découlant de la publication ou de l'utilisation de cette Publication de l'IEC ou de toute autre Publication de l'IEC, ou au crédit qui lui est accordé.
- 8) L'attention est attirée sur les références normatives citées dans cette publication. L'utilisation de publications référencées est obligatoire pour une application correcte de la présente publication.
- 9) L'attention est attirée sur le fait que certains des éléments de la présente Publication de l'IEC peuvent faire l'objet de droits de brevet. L'IEC ne saurait être tenue pour responsable de ne pas avoir identifié de tels droits de brevets et de ne pas avoir signalé leur existence.

La Norme internationale IEC 61076-3-123 a été établie par le sous-comité 48B: Connecteurs électriques, du comité d'études 48 de l'IEC: Connecteurs électriques et structures mécaniques pour les équipements électriques et électroniques.



Le texte de cette norme est issu des documents suivants:

FDIS	Rapport de vote
48B/2742/FDIS	48B/2753/RVD

Le rapport de vote indiqué dans le tableau ci-dessus donne toute information sur le vote ayant abouti à l'approbation de cette Norme internationale.

Ce document a été rédigé selon les Directives ISO/IEC, Partie 2.

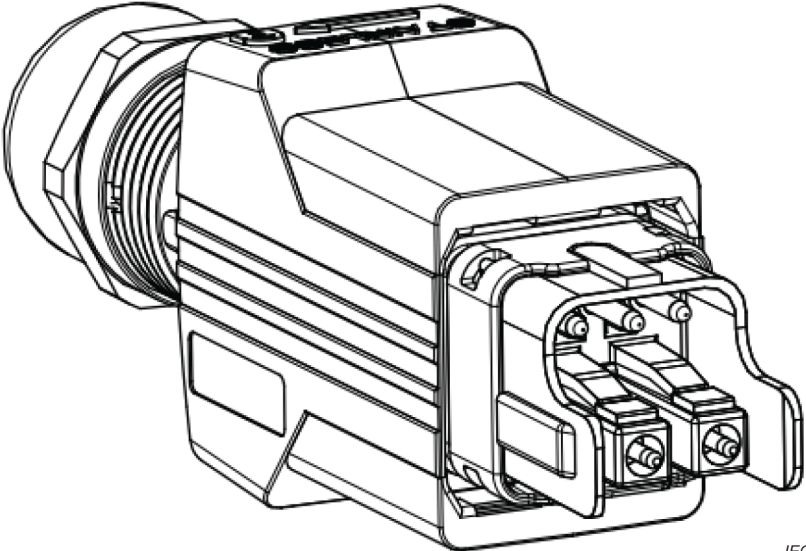
Une liste de toutes les parties de la série IEC 61076, publiées sous le titre général *Connecteurs pour équipements électriques et électroniques – Exigences de produit*, peut être consultée sur le site web de l'IEC.

Les futures normes de cette série porteront dorénavant le nouveau titre général cité ci-dessus. Le titre des normes existant déjà dans cette série sera mis à jour lors de la prochaine édition.

Le comité a décidé que le contenu de ce document ne sera pas modifié avant la date de stabilité indiquée sur le site web de l'IEC sous "<http://webstore.iec.ch>" dans les données relatives au document recherché. A cette date, le document sera

- reconduit,
- supprimé,
- remplacé par une édition révisée, ou
- amendé.

## INTRODUCTION

<p>IEC SC 48B – Connecteurs électriques</p> <p>Spécification disponible auprès: du Secrétariat général de l'IEC ou à l'une des adresses données sur la deuxième de couverture.</p>	IEC 61076-3-123 Ed.1
SPECIFICATION PARTICULIERE conforme à l'IEC 61076-1	
 <p style="text-align: right;"><i>IEC</i></p>	<p>Connecteurs rectangulaires</p> <p>Spécification particulière relative aux connecteurs hybrides dans des environnements industriels pour l'alimentation et la transmission de données fibronique, avec verrouillage de type pousser-tirer</p> <p>Connecteurs mâles et femelles</p> <p>Contacts mâles et femelles</p> <p>Raccords et férules optiques</p> <p>Démontables – non démontables</p>
	<p>Fiches pour câbles</p> <p>Connecteurs à sortie droite et à sortie coudée</p> <p>Embases</p> <p>Montage par bride</p> <p>Montage par simple trou</p>

## CONNECTEURS POUR ÉQUIPEMENTS ÉLECTRIQUES ET ÉLECTRONIQUES – EXIGENCES DE PRODUIT –

### Partie 3-123: Connecteurs rectangulaires – Spécification particulière relative aux connecteurs hybrides dans des environnements industriels pour l'alimentation et la transmission de données fibronique, avec verrouillage de type pousser-tirer

#### 1 Domaine d'application

La présente partie de l'IEC 61076 couvre les connecteurs rectangulaires hybrides composés d'une partie électrique 3 pôles, 16 A pour l'alimentation et d'une partie connecteur fibronique duplex de type LC pour la transmission de données. Ces connecteurs sont constitués de fiches et d'embases, démontables ou non démontables (pour les deux parties), et utilisent le boîtier rectangulaire de type "pousser-tirer" décrit dans l'IEC 61076-3-117, offrant le degré de protection IP65/IP67, pour les applications en environnements difficiles. Les dimensions d'accouplement de tels boîtiers permettent de satisfaire à la classe de performances de catégorie I selon l'IEC 61753-1-3 en ce qui concerne la partie fibronique du connecteur, à l'exception de la plage de températures de fonctionnement, qui s'étend de -25 °C à +70 °C.

La partie électrique peut avoir des tensions d'isolement assignées différentes. Les connecteurs mâles possèdent trois contacts électriques cylindriques de 1,6 mm de diamètre, avec un courant assigné de 16 A.

NOTE Seuls les contacts phase/neutre sont chargés pendant les essais de courant limite de 4.4 et 6.4.3, et les essais de charge électrique et de température de 7.2.2.6 (DP2) et 7.2.2.12 (KP5).

La partie fibronique réalise la transmission de données en utilisant les configurations d'accouplement communes pour toutes les variantes de connecteurs fibroniques duplex de type LC, comme cela est défini dans l'IEC 61754-20, pour les types de fibres dédiés et la technologie de terminaison de fibre couverts ici.

Les différents détrompages prévus par le présent document empêchent l'accouplement de connecteurs mâles et femelles dotés de tels détrompeurs avec une quelconque autre interface de taille semblable couverte par d'autres normes, ainsi que l'accouplement croisé entre les différents détrompages prévus par le présent document.

#### 2 Références normatives

Les documents suivants cités dans le texte constituent, pour tout ou partie de leur contenu, des exigences du présent document. Pour les références datées, seule l'édition citée s'applique. Pour les références non datées, la dernière édition du document de référence s'applique (y compris les éventuels amendements).

IEC 60050-581:2008, *Vocabulaire Electrotechnique International (IEV) – Partie 581: Composants électromécaniques pour équipements électroniques*

IEC 60068-1, *Essais d'environnement – Partie 1: Généralités et lignes directrices*

IEC 60068-2-30, *Essais d'environnement – Partie 2-30: Essais – Essai Db: Essai cyclique de chaleur humide (cycle de 12 h + 12 h)*

IEC 60352-1:1997, *Connexions sans soudure – Partie 1: Connexions enroulées – Règles générales, méthodes d'essai et guide pratique*

IEC 60352-2:2006, *Connexions sans soudure – Partie 2: Connexions serties – Exigences générales, méthodes d'essai et guide pratique*

IEC 60352-3:1993, *Connexions sans soudure – Partie 3: Connexions autodénudantes accessibles sans soudure – Règles générales, méthodes d'essai et guide pratique*

IEC 60352-4:1994, *Connexions sans soudure – Partie 4: Connexions autodénudantes, non accessibles sans soudure – Règles générales, méthodes d'essai et guide pratique*

IEC 60352-5:2012, *Connexions sans soudure – Partie 5: Connexions insérées à force – Exigences générales, méthodes d'essai et guide pratique*

IEC 60352-6:1997, *Connexions sans soudure – Partie 6: Connexions à percement d'isolant – Règles générales, méthodes d'essai et guide pratique*

IEC 60352-7:2002, *Connexions sans soudure – Partie 7: Connexions à ressort – Règles générales, méthodes d'essai et guide pratique*

IEC 60352-8:2011, *Connexions sans soudure – Partie 8: Connexions par compression – Exigences générales, méthodes d'essai et guide pratique*

IEC 60512-1-1, *Connecteurs pour équipements électroniques – Essais et mesures – Partie 1-1: Examen général – Essai 1a: Examen visuel*

IEC 60512-1-2:2002, *Connecteurs pour équipements électroniques – Essais et mesures – Partie 1-2: Examen général – Essai 1b: Examen de dimension et masse*

IEC 60512-2-1:2002, *Connecteurs pour équipements électroniques – Essais et mesures – Partie 2-1: Essais de continuité électrique et de résistance de contact – Essai 2a: Résistance de contact – Méthode du niveau des millivolts*

IEC 60512-2-2, *Connecteurs pour équipements électroniques – Essais et mesures – Partie 2-2: Essais de continuité électrique et de résistance de contact – Essai 2b: Résistance de contact – Méthode du courant d'essai spécifié*

IEC 60512-2-5, *Connecteurs pour équipements électroniques – Essais et mesures – Partie 2-5: Essais de continuité électrique et de résistance de contact – Essai 2e: Perturbation de contact*

IEC 60512-3-1:2002, *Connecteurs pour équipements électroniques – Essais et mesures – Partie 3-1: Essais d'isolement – Essai 3a: Résistance d'isolement*

IEC 60512-4-1:2003, *Connecteurs pour équipements électroniques – Essais et mesures – Partie 4-1: Essais de contrainte diélectrique – Essai 4a: Tension de tenue*

IEC 60512-5-2:2002, *Connecteurs pour équipements électroniques – Essais et mesures – Partie 5-2: Essais de courant limite – Essai 5b: Taux de réduction de l'intensité en fonction de la température*

IEC 60512-6-3:2002, *Connecteurs pour équipements électroniques – Essais et mesures – Partie 6-3: Essais de contraintes dynamiques – Essai 6c: Chocs*

IEC 60512-6-4:2002, *Connecteurs pour équipements électroniques – Essais et mesures – Partie 6-4: Essais de contraintes dynamiques – Essai 6d: Vibrations (sinusoïdales)*

IEC 60512-6-5, *Composants électromécaniques pour équipements électroniques – Procédures d'essai de base et méthodes de mesure – Partie 6: Essais de contraintes dynamiques – Section 5: Essai 6e: Vibrations aléatoires*

IEC 60512-8-1:2010, *Connecteurs pour équipements électroniques – Essais et mesures – Partie 8-1: Essais sous charge statique (embases) – Essai 8a: Charge statique transversale*

IEC 60512-8-2:2011, *Connecteurs pour équipements électroniques – Essais et mesures – Partie 8-2: Essais sous charge statique (embases) – Essai 8b: Charge statique axiale*

IEC 60512-9-1:2010, *Connecteurs pour équipements électroniques – Essais et mesures – Partie 9-1: Essais d'endurance – Essai 9a: Fonctionnement mécanique*

IEC 60512-9-2, *Connecteurs pour équipements électroniques – Essais et mesures – Partie 9-2: Essais d'endurance – Essai 9b: charge électrique et température*

IEC 60512-11-1, *Connecteurs pour équipements électriques et électroniques – Essais et mesures – Partie 11-1: Essais climatiques – Essai 11a – Séquence climatique*

IEC 60512-11-3, *Connecteurs pour équipements électroniques – Essais et mesures – Partie 11-3: Essais climatiques – Essai 11c: Essai continu de chaleur humide*

IEC 60512-11-4, *Connecteurs pour équipements électroniques – Essais et mesures – Partie 11-4: Essais climatiques – Essai 11d: Variations rapides de température*

IEC 60512-11-9, *Connecteurs pour équipements électroniques – Essais et mesures – Partie 11-9: Essais climatiques – Essai 11i: Chaleur sèche*

IEC 60512-11-10, *Connecteurs pour équipements électroniques – Essais et mesures – Partie 11-10: Essais climatiques – Essai 11j: Froid*

IEC 60512-11-12, *Connecteurs pour équipements électroniques – Essais et mesures – Partie 11-12: Essais climatiques – Essai 11m: Essai cyclique de chaleur humide*

IEC 60512-12-4, *Connecteurs pour équipements électroniques – Essais et mesures – Partie 12-4: Essais de soudure – Essai 12d: Résistance à la chaleur de soudage, méthode de bain de soudage*

IEC 60512-12-5, *Connecteurs pour équipements électroniques – Essais et mesures – Partie 12-5: Essais de soudure – Essai 12e: Résistance à la chaleur de soudage, méthode du fer à souder*

IEC 60512-13-1:2006, *Connecteurs pour équipements électroniques – Essais et mesures – Partie 13-1: Essais de fonctionnement mécanique – Essai 13a: Forces d'accouplement et de désaccouplement*

IEC 60512-13-2, *Connecteurs pour équipements électroniques – Essais et mesures – Partie 13-2: Essais de fonctionnement mécanique – Essai 13b: Forces d'insertion et d'extraction*

IEC 60512-13-5:2006, *Connecteurs pour équipements électroniques – Essais et mesures – Partie 13-5: Essais de fonctionnement mécanique – Essai 13e: Méthode de polarisation et de codage*

IEC 60512-14-7, *Composants électromécaniques pour équipements électroniques – Procédures d'essai de base et méthodes de mesure – Partie 14: Essais d'étanchéité – Section 7: Essai 14g: Projection d'eau*

IEC 60512-15-1, *Connecteurs pour équipements électroniques – Essais et mesures – Partie 15-1: Essais (mécaniques) des connecteurs – Essai 15a: Rétention des contacts dans l'isolant*

IEC 60512-15-6:2008, *Connecteurs pour équipements électroniques – Essais et mesures – Partie 15-6: Essais (mécaniques) des connecteurs – Essai 15f: Efficacité des dispositifs d'accouplement des connecteurs*

IEC 60512-16-5, *Connecteurs pour équipements électroniques – Essais et mesures – Partie 16-5: Essais mécaniques des contacts et des sorties – Essai 16e: Force de rétention du calibre (contacts élastiques)*

IEC 60512-17-3, *Connecteurs pour équipements électroniques – Essais et mesures – Partie 17-3: Essais de maintien des câbles – Essai 17c: Résistance de la pince de maintien des câbles au tirage*

IEC 60512-17-4, *Connecteurs pour équipements électroniques – Essais et mesures – Partie 17-4: Essais de maintien des câbles – Essai 17d: Résistance de la pince de maintien du câble à la torsion des câbles*

IEC 60512-19-3, *Composants électromécaniques pour équipements électroniques – Procédures d'essai de base et méthodes de mesure – Partie 19: Essais de résistance chimique – Section 3: Essai 19c – Résistance aux fluides*

IEC 60529:1989, *Degrés de protection procurés par les enveloppes (Code IP)*

IEC 60603-7, *Connecteurs pour équipements électroniques – Partie 7: Spécification particulière pour les fiches et les embases non écrantées à 8 voies*

IEC 60664-1:2007, *Coordination de l'isolement des matériels dans les systèmes (réseaux) à basse tension – Partie 1: Principes, exigences et essais*

IEC 60793-2-10, *Fibres optiques – Partie 2-10: Spécifications de produits – Spécification intermédiaire pour les fibres multimodales de catégorie A1*

IEC 60793-2-50, *Fibres optiques – Partie 2-50: Spécifications de produits – Spécification intermédiaire pour les fibres unimodales de classe B*

IEC 60999-1, *Dispositifs de connexion – Conducteurs électriques en cuivre – Prescriptions de sécurité pour organes de serrage à vis et sans vis – Partie 1: Prescriptions générales et particulières pour les organes de serrage pour les conducteurs de 0,2 mm<sup>2</sup> à 35 mm<sup>2</sup> (inclus)*

IEC 60999-2, *Dispositifs de connexion – Conducteurs électriques en cuivre – Prescriptions de sécurité pour organes de serrage à vis et sans vis – Partie 2: Prescriptions particulières pour les organes de serrage pour conducteurs au-dessus de 35 mm<sup>2</sup> et jusqu'à 300 mm<sup>2</sup> (inclus)*

IEC 61076-1:2006, *Connecteurs pour équipements électroniques – Exigences de produit – Partie 1: Spécification générale*

IEC 61076-3:2008, *Connecteurs pour équipements électroniques – Exigences de produit – Partie 3: Connecteurs rectangulaires – Spécification intermédiaire*

IEC 61076-3-117:2009, *Connecteurs pour équipements électroniques – Exigences de produit – Partie 3-117: Connecteurs rectangulaires – Spécification particulière pour boîtiers de protection utilisés avec des connecteurs blindés et non blindés à 8 voies dans des environnements industriels incorporant l'interface série IEC 60603-7 – Variante 14 liée à l'IEC 61076-3-106 – Type d'accouplement pousser-tirer*

IEC 61076-7-100, *Connecteurs pour équipements électroniques – Exigences de produit – Partie 7-100: Accessoires de sorties de câbles – Spécification particulière pour un presse-étoupe métrique constitué d'une partie intégrée de capots de connecteurs rectangulaires ou circulaires et d'un système d'étanchéité pour conditions sévères*

IEC 61156-1:2007, *Câbles multiconducteurs à paires symétriques et quartes pour transmissions numériques – Partie 1: Spécification générique*

IEC 61300-3-1:2005, *Dispositifs d'interconnexion et composants passifs à fibres optiques – Méthodes fondamentales d'essais et de mesures – Partie 3-1: Examens et mesures – Examen visuel*

IEC 61300-3-4:2012, *Dispositifs d'interconnexion et composants passifs à fibres optiques – Méthodes fondamentales d'essais et de mesures – Partie 3-4: Examens et mesures – Affaiblissement*

IEC 61300-3-6:2008, *Dispositifs d'interconnexion et composants passifs à fibres optiques – Méthodes fondamentales d'essais et de mesures – Partie 3-6: Examens et mesures – Affaiblissement de réflexion*

IEC 61300-3-11:1995, *Dispositifs d'interconnexion et composants passifs à fibres optiques – Méthodes fondamentales d'essais et de mesures – Partie 3-11: Examens et mesures – Force d'accouplement et de désaccouplement*

IEC 61300-3-35:2015, *Dispositifs d'interconnexion et composants passifs à fibres optiques – Méthodes fondamentales d'essais et de mesures – Partie 3-35: Examens et mesures – Examen visuel des connecteurs à fibres optiques et des émetteurs-récepteurs à embase fibrée*

IEC 61300-3-47:2014, *Dispositifs d'interconnexion et composants passifs à fibres optiques – Méthodes fondamentales d'essais et de mesures – Partie 3-47: Examens et mesures – Géométrie de l'extrémité des férules PC/APC polies de façon sphérique par interférométrie*

IEC 61753-1-3:2014, *Dispositifs d'interconnexion et composants passifs à fibres optiques – Norme de performance – Partie 1-3: Généralités et lignes directrices relatives aux connecteurs à fibres optiques unimodales et aux cordons en environnement industriel, Catégorie I*

IEC 61754-20:2012, *Dispositifs d'interconnexion et composants passifs à fibres optiques – Interfaces de connecteurs pour fibres optiques – Partie 20: Famille de connecteurs de type LC*

IEC 61755-3-1:2006, *Interfaces optiques de connecteurs pour fibres optiques – Partie 3-1: Interfaces optiques, férules PC en zircone plein cylindrique de diamètre 2,5 mm et 1,25 mm, fibres unimodales*

IEC 61984:2008, *Connecteurs – Exigences de sécurité et essais*

IEC 62430:2009, *Eco-conception pour les produits électriques et électroniques*

IEC 62664-1-1:2013, *Dispositifs d'interconnexion et composants passifs à fibres optiques – Spécifications de produits pour connecteurs à fibres optiques – Partie 1-1: Connecteurs multimodaux duplex LC-PC câblés sur une fibre de catégorie A1a selon l'IEC 60793-2-10*

IEC 62664-1-3, *Fibre optic interconnecting devices and passive components – Fibre optic connector product specifications – Part 1-3: LC-PC duplex singlemode connectors terminated on IEC 60793-2-50 category B1.1 and B1.3 fibre (disponible en anglais seulement) (à publier)*

Guide IEC 109, *Aspects liés à l'environnement – Prise en compte dans les normes électrotechniques de produits*

ISO 128-30:2001, *Dessins techniques – Principes généraux de représentation – Partie 30: Conventions de base pour les vues*

ISO 1302:2002, *Spécification géométrique des produits (GPS) – Indication des états de surface dans la documentation technique de produits*

ISO 11469:2016, *Plastiques – Identification générique et marquage des produits en matière plastique*