



IEC 61230

Edition 2.0 2008-07

INTERNATIONAL STANDARD

NORME INTERNATIONALE

Live working – Portable equipment for earthing or earthing and short-circuiting

Travaux sous tension – Equipements portables de mise à la terre ou de mise à la terre et en court-circuit

INTERNATIONAL
ELECTROTECHNICAL
COMMISSION

COMMISSION
ELECTROTECHNIQUE
INTERNATIONALE

PRICE CODE **XB**
CODE PRIX

ICS 13.260; 29.240.20; 29.260.99

ISBN 2-8318-9875-7

CONTENTS

FOREWORD.....	5
INTRODUCTION.....	7
1 Scope.....	8
2 Normative references.....	12
3 Terms and definitions.....	13
4 Requirements.....	17
4.1 General.....	17
4.2 Electrical rating.....	18
4.3 Cables for earthing and short-circuiting.....	18
4.3.1 Selection of cables.....	18
4.3.2 Earthing cables used on solidly earthed (neutral) systems.....	19
4.3.3 Earthing cables used on non-solidly earthed (neutral) systems.....	19
4.4 Short-circuiting bars.....	19
4.5 Connections of cables to rigid parts within devices.....	20
4.6 Clamps.....	20
4.7 Earthing and short-circuiting device.....	20
4.8 Basic safety requirements for the insulating element(s) of the insulating component.....	21
4.9 Marking.....	21
4.9.1 General.....	21
4.9.2 Marking on earthing and short-circuiting device.....	21
4.9.3 Marking on clamp.....	22
4.9.4 Marking on cable.....	22
4.9.5 Marking on other components.....	22
4.10 Instructions for use.....	22
5 Tests.....	23
5.1 General.....	23
5.2 Verification and checking.....	23
5.3 Tests for the selection of cables.....	24
5.3.1 Cables complying with IEC 61138.....	24
5.3.2 Cables not complying with IEC 61138.....	24
5.4 Fatigue and humidity penetration tests on cable with end fittings.....	24
5.4.1 Fatigue test.....	24
5.4.2 Humidity penetration test.....	26
5.5 Tension test on cable with end fittings.....	26
5.6 Test on clamps, permanent connection points and connections.....	27
5.6.1 Tests for tightening types.....	27
5.6.2 Tests for non-tightening types.....	27
5.7 Short-circuit current test.....	27
5.7.1 General.....	27
5.7.2 Preparation of test pieces.....	29
5.7.3 Test set-ups and test arrangements.....	33
5.7.4 Test current, Joule-integral and duration.....	34
5.7.5 Documentation and evaluation of the test.....	35
5.7.6 Alternative means to short-circuit current test for conformity assessment during production phase.....	36

5.8 Durability of marking	36
6 Conformity assessment	36
7 Modifications	36
Annex A (informative) Guidelines for portable equipment for earthing to be used on railway systems	37
Annex B (informative) Guidelines for earthing sticks	41
Annex C (informative) Guidelines for selection, use and maintenance of portable earthing or earthing and short-circuiting equipment.....	45
Annex D (informative) Guideline for determination of the equivalent r.m.s. value of a short-time current during a short-circuit of a given duration.....	56
Annex E (normative) List of type tests.....	58
Annex F (normative) Classification of defects	59
Bibliography.....	60
Figure 1 – Examples of portable equipment and device for installations, network and railway systems application.....	9
Figure 2 – Connection diagrams of single and multi-phase earthing and short-circuiting devices for network application	11
Figure 3 – Illustration of a three-phase earthing and short-circuiting device with short-circuiting bar and earthing cable(s) for installation and network application.....	12
Figure 4 – Apparatus for fatigue testing with bending and twisting	25
Figure 5 – Examples of multiple combinations of clamps accommodating different shapes and sizes of connection points	29
Figure 6 – Test set-ups for testing multi-phase devices connected between rigid conductors for substations	31
Figure 7 – Test set-ups for testing multi-phase short-circuiting devices for overhead lines.....	32
Figure 8 – Test set-ups for testing single-phase devices for overhead lines and for open air substations.....	33
Figure 9 – Shape of the short-circuit current during test.....	35
Figure A.1 – Test set-up for testing single phase equipment for railway systems	39
Figure B.1 – Arrangement for bending tests on earthing sticks of circular cross-section.....	43
Figure B.2 – Arrangement for torsion tests on earthing sticks of circular cross-section.....	44
Figure C.1 – Curves representing the temperature heating of different nature of conductors related to the value of the Joule-integral J^2_t	49
Figure C.2 – Determination of conductor temperature from heating.....	50
Figure C.3 – Determination of J^2_t	51
Figure C.4 – Example of the usable region for a device	53
Figure D.1 – Determination of short-time current.....	57
Table 1 – Usual lengths of earthing and short-circuiting cables for different types of installations and different voltage levels.....	11
Table 2 – Minimum cross-section of earthing cables related to the cross-section of the short-circuiting cables and/or bars on non-solidly earthed (neutral) systems	19
Table 3 – Tension test force on cable with end fittings	27
Table A.1 – Short circuit values for copper cable with a maximum temperature of 450 °C	40

Table B.1 – Maximum deflection	43
Table C.1 – Comparison of different standard values of nominal cross-sections.....	47
Table C.2 – Short-circuit close to generator – Short-circuit current values in kA for copper cables with a maximum temperature of 300°C	48
Table E.1 – List of type tests referred to subclauses	58
Table F.1 – Classification of defects and associated requirements and tests	59

INTERNATIONAL ELECTROTECHNICAL COMMISSION

**LIVE WORKING –
PORTABLE EQUIPMENT FOR EARTHING OR
EARTHING AND SHORT-CIRCUITING****FOREWORD**

- 1) The International Electrotechnical Commission (IEC) is a worldwide organization for standardization comprising all national electrotechnical committees (IEC National Committees). The object of IEC is to promote international co-operation on all questions concerning standardization in the electrical and electronic fields. To this end and in addition to other activities, IEC publishes International Standards, Technical Specifications, Technical Reports, Publicly Available Specifications (PAS) and Guides (hereafter referred to as "IEC Publication(s)"). Their preparation is entrusted to technical committees; any IEC National Committee interested in the subject dealt with may participate in this preparatory work. International, governmental and non-governmental organizations liaising with the IEC also participate in this preparation. IEC collaborates closely with the International Organization for Standardization (ISO) in accordance with conditions determined by agreement between the two organizations.
- 2) The formal decisions or agreements of IEC on technical matters express, as nearly as possible, an international consensus of opinion on the relevant subjects since each technical committee has representation from all interested IEC National Committees.
- 3) IEC Publications have the form of recommendations for international use and are accepted by IEC National Committees in that sense. While all reasonable efforts are made to ensure that the technical content of IEC Publications is accurate, IEC cannot be held responsible for the way in which they are used or for any misinterpretation by any end user.
- 4) In order to promote international uniformity, IEC National Committees undertake to apply IEC Publications transparently to the maximum extent possible in their national and regional publications. Any divergence between any IEC Publication and the corresponding national or regional publication shall be clearly indicated in the latter.
- 5) IEC provides no marking procedure to indicate its approval and cannot be rendered responsible for any equipment declared to be in conformity with an IEC Publication.
- 6) All users should ensure that they have the latest edition of this publication.
- 7) No liability shall attach to IEC or its directors, employees, servants or agents including individual experts and members of its technical committees and IEC National Committees for any personal injury, property damage or other damage of any nature whatsoever, whether direct or indirect, or for costs (including legal fees) and expenses arising out of the publication, use of, or reliance upon, this IEC Publication or any other IEC Publications.
- 8) Attention is drawn to the Normative references cited in this publication. Use of the referenced publications is indispensable for the correct application of this publication.
- 9) Attention is drawn to the possibility that some of the elements of this IEC Publication may be the subject of patent rights. IEC shall not be held responsible for identifying any or all such patent rights.

International Standard IEC 61230 has been prepared by IEC technical committee 78: Live working.

This second edition cancels and replaces the first edition published in 1993. It constitutes a technical revision.

The major changes are:

- extension of the scope to cover the use of equipment on d.c. installations;
- extension of the use of aluminium to all conductive parts of the device;
- extension of the application to silicone rubber cables made by the revision of TC 20 document IEC 61138;
- possibility of using this standard for separate components of the equipment;
- general revision of requirements and tests;
- deletion of the marking requirement of the double triangle to clarify that the products covered by the standard are not appropriate for performing live working;

- clarification and modification to the procedure for short-circuit test:
 - change of the number of devices submitted to test,
 - change of the pre-conditioning time to 48 h,
 - clarification of the test procedure for separate components,
- application of conformity assessment for products having completed the production phase, according to IEC 61318 Ed.3;
- revision of existing annexes;
- change of normative Annexes A and C into informative Annexes C and B with a reviewed wording;
- deletion of Annex B, not applicable according to IEC 61318 Ed.3;
- deletion of Annex D, its requirements and tests being now included in the body of the standard;
- introduction of a new informative Annex A on railway application;
- introduction of a new informative Annex D giving guidelines for determination of the equivalent r.m.s. value of a short-circuit current;
- revision of the list of type tests, which now appears in normative Annex E;
- introduction of a new normative Annex F on classification of defects.

The text of this standard is based on the following documents:

FDIS	Report on voting
78/741/FDIS	78/748/RVD

Full information on the voting for the approval of this standard can be found in the report on voting indicated in the above table.

This publication has been drafted in accordance with the ISO/IEC Directives, Part 2.

The committee has decided that the contents of this publication will remain unchanged until the maintenance result date indicated on the IEC web site under "<http://webstore.iec.ch>" in the data related to the specific publication. At this date, the publication will be

- reconfirmed,
- withdrawn,
- replaced by a revised edition, or
- amended.

INTRODUCTION

This International Standard has been prepared in accordance with the requirements of IEC 61477.

An agreement may be made between manufacturer and customer for additional requirements, and tests. These additional requirements are prescribed in the customer's specification on the basis of an acceptance procedure.

LIVE WORKING – PORTABLE EQUIPMENT FOR EARTHING OR EARTHING AND SHORT-CIRCUITING

1 Scope

This International Standard is applicable to portable equipment, with or without matching connection points, for temporary earthing or earthing and short-circuiting of electrically isolated or de-energized a.c. and d.c. installations, distribution and transmission networks, whether they are overhead or underground or of low or high voltage.

NOTE Annex A provides guidance for application to railway systems.

This standard covers equipment comprising an earthing or a short-circuiting or an earthing and short-circuiting device and insulating component. An example is given in Figure 1a and Figure 1b.

It also covers:

- earthing or short-circuiting or earthing and short-circuiting devices intended to be installed with insulating means. An example of an earthing device is given in Figure 1c;
- separate components, such as conductive extension (see Figure 1b) or clamp or cable with end fittings.

The performance of equipment, devices and components covered by this standard is based on electro-dynamic and electro-thermal effects acting during short-circuit. The withstand capability of the devices and equipment is expressed by their rated values of current, time and peak factor. No rated voltage is given, but the geometrical dimensions of the equipment are also linked to the voltage of the installation.

Examples of connection diagrams of earthing and short-circuiting devices are given in Figures 2 and 3. Associated usual lengths of cables are given in Table 1.

Not covered in this standard are:

- insulating means, such as insulating sticks, telescopic sticks, insulating handles, insulating gloves, aerial devices with insulating booms, insulating ropes to be used to install the earthing and short-circuiting device;
 - insulating components, except for basic safety requirements for the insulating element;
- NOTE Basic safety recommendations for earthing sticks are given in Annex B.
- devices meant only for the draining of induced currents;
 - relevant working procedures for using portable equipment for earthing or earthing and short-circuiting.

NOTE The equipment complying with this standard should be used according to safe working procedures and according to local or national regulation, such as live working or dead working procedures.

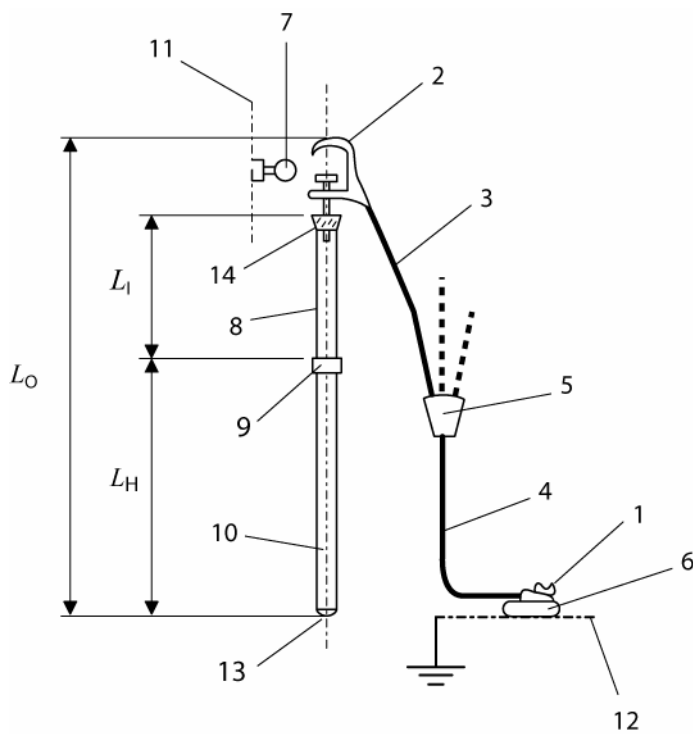


Figure 1a – Multi-phase equipment

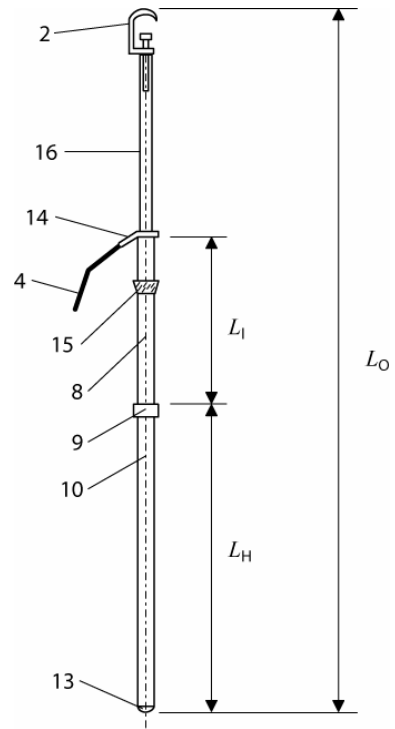
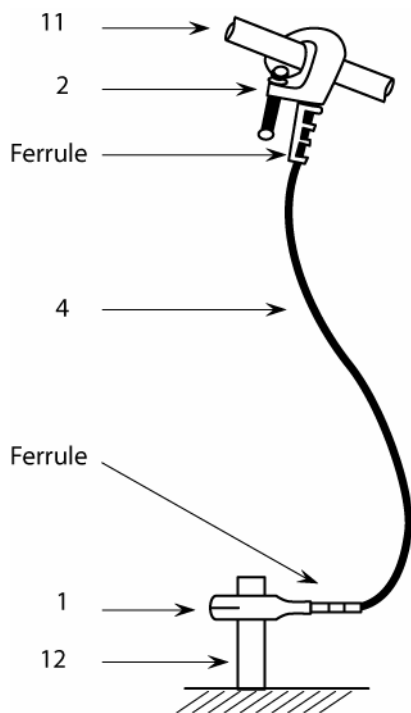


Figure 1b – Single-phase equipment with extension



NOTE The same device can also be used for short-circuiting.

Figure 1c – Earthing device

Key

- 1 Earth clamp or rail clamp
- 2 Line clamp or contact line clamp
- 3 Short-circuiting cable(s)
- 4 Earthing cable(s)
- 5 Connecting cluster
- 6 Earth permanent connection point or rail
- 7 Line permanent connection point or overhead contact line profile
- 8 Insulating element
- 9 Handle limit mark
- 10 Handle of earthing stick
- 11 Installation conductor or bar
- 12 Earthing system
- 13 End cap of stick
- 14 End fitting, permanent or detachable
- 15 Stick coupling, detachable for transport reasons
- 16 Conductive extension
- L_1 Length of insulating element
- L_H Length of handle
- L_O Overall length of earthing stick and conductive extension component

NOTE 1 The earthing and short-circuiting device comprises components 1, 2, 3, 4, 5 and 16.

NOTE 2 The earthing stick comprises components 8, 9, 10, 13, 14 and 15.

NOTE 3 The earthing device comprises components 1, 2 and 4.

Figure 1 – Examples of portable equipment and device for installations, network and railway systems application

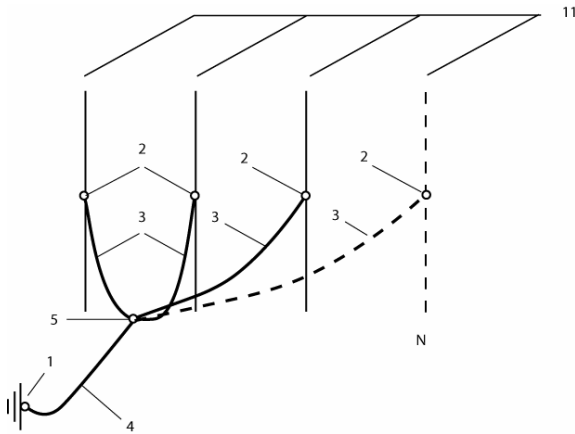


Figure 2a

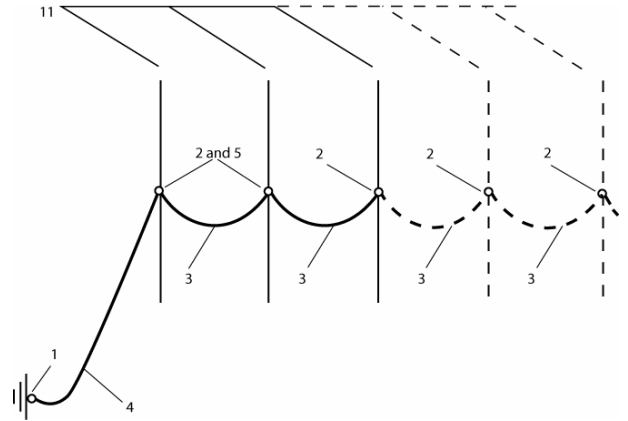


Figure 2b

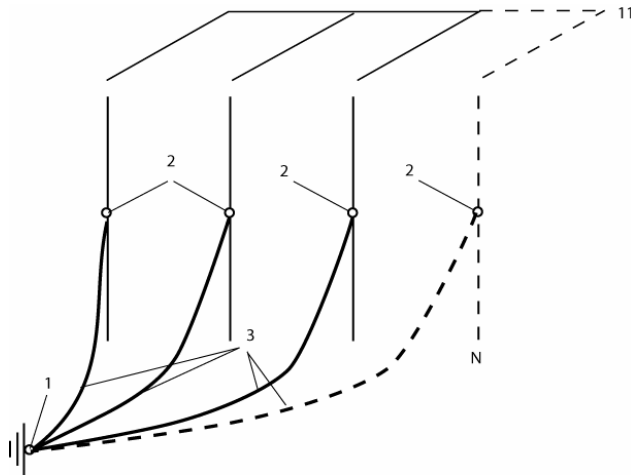


Figure 2c

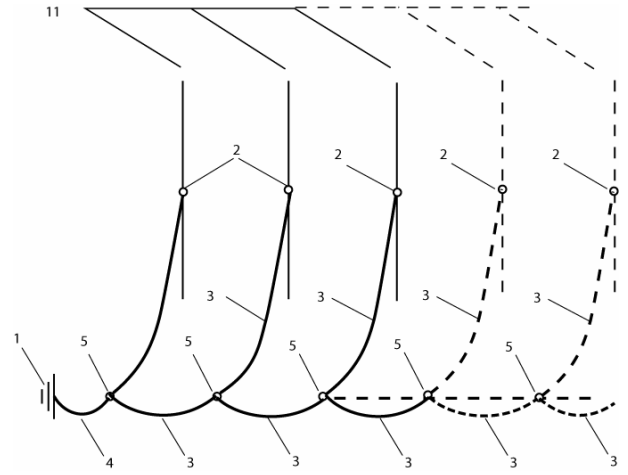
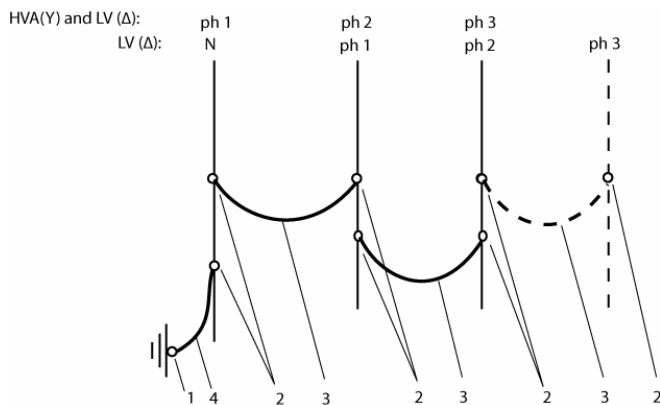


Figure 2d



Key

- 1 Earth clamp
- 2 Line clamp
- 3 Short-circuiting cable(s)
- 4 Earthing cable(s)
- 5 Connecting cluster
- 11 Installation conductor or bar
- 16 Conductive extension

HVA (Y) = High voltage distribution , Y Neutral system

LV (Δ) = Low voltage, Δ Neutral system

Figure 2e

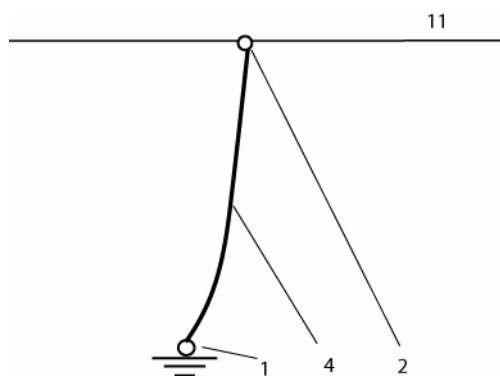


Figure 2f

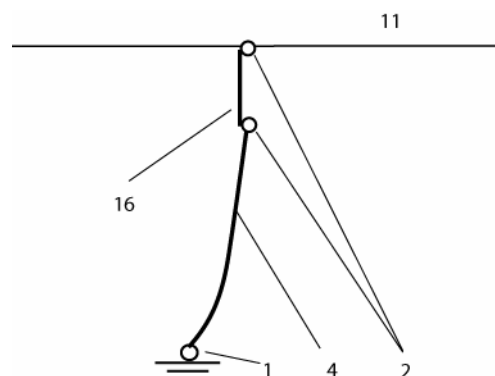


Figure 2g

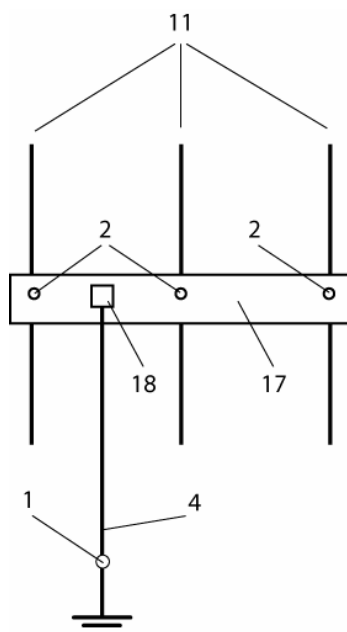
Figure 2 – Connection diagrams of single and multi-phase earthing and short-circuiting devices for network application

NOTE Figure 2 shows examples only of connection arrangements. Not all are suitable for all situations. It is the responsibility of the user to consider movement of connecting cables from magnetic forces. This has to be considered prior to a final connection.

Table 1 – Usual lengths of earthing and short-circuiting cables for different types of installations and different voltage levels

Classes of operating voltages	Overhead line	Open air substation	Metal enclosed or indoor substation
Low voltage ^a	Multi-phase Figures 2a, 2b, 2c, 2d key 3 = 0,5 m key 4 = 12 m to 16 m	Multi-phase Figure 2c ; key 3 = 0,5 m Figure 2a ; key 3 = 0,5 m and key 4 = 1 m to 10 m	Specific
	Single-phase Figure 2f key 4 = 0,5 m to 10 m		
Distribution ^a	Multi-phase Figures 2a, 2b, 2c, 2d key 3 = 2 m to 2,5 m key 4 = 8 m to 10 m	Multi-phase Figures 2a, 2b, 2c key 3 = 7,5m to 10 m key 4 = 2,5 m to 3 m	Multi-phase Figure 2a key 3 = 0,7 m key 4 = 2 m
	Multi-phase + 5 m extension Figure 2g key 4 = 8 m to 10 m		
	Single-phase Figure 2f key 4 = 8 m to 10 m	Single-phase Figure 2f key 4 = 10 m to 12 m	
Transmission ^a	Single-phase Figure 2f key 4 = 8 m	Single-phase Figure 2f key 4 = 10 m to 12 m	Multi-phase Figure 2a key 3 = 3 m key 4 = 3 m
		Single-phase + 2 m to 5 m extension Figure 2g key 4 = 7 m to 8 m	Single-phase Figure 2f key 4 = 3 m to 4 m

^a The voltage limits for the different classes of operating voltage are conventional values and could be modified by national regulations or national practice.



Key

- 1 Earth clamp
- 2 Line clamp
- 4 Earthing cable(s)
- 11 Installation conductor
- 17 Short-circuiting bar
- 18 Earthing cable connection

Figure 3 – Illustration of a three-phase earthing and short-circuiting device with short-circuiting bar and earthing cable(s) for installation and network application

2 Normative references

The following referenced documents are indispensable for the application of this document. For dated references, only the edition cited applies. For undated references, the latest edition of the referenced document (including any amendments) applies.

IEC 60060-1:1989 *High voltage test techniques – Part 1: General definitions and test requirements* ¹⁾

IEC 60068-2-11:1981, *Environmental testing – Part 2: Tests – Test Ka: Salt mist*

IEC 60068-2-42:2003, *Environmental testing – Part 2-42: Tests – Test Kc: Sulphur dioxide test for contacts and connections*

IEC 60811-1-4:1985, *Common test methods for insulating and sheathing materials of electric cables – Part 1: Methods for general application – Section Four: Tests at low temperature*
 Amendment 1 (1993)
 Amendment 2 (2001)

¹⁾ Under revision.

IEC 60811-2-1:1998, *Insulating and sheathing materials of electric and optical cables Common test methods – Part 2-1: Methods specific to elastomeric compounds – Ozone resistance, hot test and mineral oil immersion tests*
Amendment 1 (2001)²⁾

IEC 60811-3-1:1985, *Common test methods for insulating and sheathing materials of electric cables – Part 3: Methods specific to PVC compounds – Section One – Pressure test at high temperature – Tests for resistance to cracking*
Amendment 1 (1994)
Amendment 2 (2001)

IEC 61138:2007, *Cables for portable earthing and short-circuiting equipment*

IEC 61318:2007, *Live working – Conformity assessment applicable to tools, devices and equipment*

IEC 61477:2001, *Live working – Minimum requirements for the utilization of tools, devices and equipment*
Amendment 1 (2002)
Amendment 2 (2004)³⁾

2) There exists a consolidated edition 2.1 (2001) that includes IEC 60811-2-1:1998 and its Amendment 1.

3) There exists a consolidated edition 1.2 (2005) that includes IEC 61447:2001 and its Amendments 1 and 2.

SOMMAIRE

AVANT-PROPOS.....	65
INTRODUCTION.....	67
1 Domaine d'application	68
2 Références normatives.....	72
3 Termes et définitions	73
4 Exigences	77
4.1 Généralités.....	77
4.2 Valeurs assignées électriques	78
4.3 Câbles de mise à la terre et en court-circuit	78
4.3.1 Sélection des câbles.....	79
4.3.2 Câbles de mise à la terre utilisés dans les réseaux à neutre directement mis à la terre	79
4.3.3 Câbles de mise à la terre utilisés dans les réseaux à neutre indirectement mis à la terre	79
4.4 Barres de court-circuit	80
4.5 Connexions des câbles aux parties rigides des dispositifs	80
4.6 Pincés et étaux	80
4.7 Dispositif de mise à la terre et en court-circuit.....	81
4.8 Exigences fondamentales de sécurité pour le ou les élément(s) isolant(s) du composant isolant	81
4.9 Marquage	82
4.9.1 Généralités.....	82
4.9.2 Marquage du dispositif de mise à la terre et en court-circuit	82
4.9.3 Marquage de la pince ou de l'étau	82
4.9.4 Marquage du câble	82
4.9.5 Marquage d'autres composants	83
4.10 Instructions d'emploi	83
5 Essais	83
5.1 Généralités.....	83
5.2 Vérification et contrôle.....	84
5.3 Essais pour la sélection des câbles	84
5.3.1 Câbles conformes à la CEI 61138.....	84
5.3.2 Câbles non conformes à la CEI 61138.....	84
5.4 Essais de fatigue et de pénétration d'humidité du câble muni de ses embouts d'extrémités.....	85
5.4.1 Essai de fatigue.....	85
5.4.2 Essais de pénétration d'humidité	87
5.5 Essai de traction du câble muni de ses embouts d'extrémités.....	87
5.6 Essais des pincés, étaux, points fixes de connexion et connexions	88
5.6.1 Essais pour les types à serrage à vis.....	88
5.6.2 Essais pour les types autres qu'à serrage à vis	88
5.7 Essai de courant de court-circuit	88
5.7.1 Généralités.....	88
5.7.2 Préparation des éprouvettes d'essai	90
5.7.3 Montages d'essai et agencements	94
5.7.4 Courant d'essai, intégrale de Joule et durée	95
5.7.5 Documentation et évaluation de l'essai.....	96

5.7.6	Moyen alternatif à l'essai de courant de court-circuit pour évaluer la conformité durant la phase de production	97
5.8	Durabilité du marquage	97
6	Evaluation de la conformité	97
7	Modifications	97
Annexe A (informative)	Guide pour les équipements portables de mise à la terre pour utilisation sur les réseaux ferroviaires	98
Annexe B (informative)	Guide pour les perches de mise à la terre	102
Annexe C (informative)	Guide pour la sélection, l'utilisation et l'entretien des équipements portables de mise à la terre ou de mise à la terre et en court-circuit.....	106
Annexe D (informative)	Guide pour la détermination de la valeur efficace équivalente d'un courant de courte durée lors d'un court-circuit de durée déterminée.....	117
Annexe E (normative)	Liste des essais de type	119
Annexe F (normative)	Classification des défauts.....	120
	Bibliographie.....	121
Figure 1	– Illustrations d'un dispositif et d'équipements portables pour les applications aux installations, aux réseaux électriques et ferroviaires.....	69
Figure 2	– Diagrammes de connexion des dispositifs de mise à la terre et en court-circuit monophasés et polyphasés pour application aux réseaux.....	71
Figure 3	– Illustration d'un dispositif triphasé de mise à la terre et en court-circuit avec barre de court-circuit et câble(s) de mise à la terre pour application aux installations et aux réseaux.....	72
Figure 4	– Appareil pour essai de fatigue comprenant la flexion et la torsion	86
Figure 5	– Exemples de combinaisons multiples de pinces ou étaux acceptant différentes formes et tailles de points de connexion	90
Figure 6	– Montages d'essai pour dispositifs polyphasés pour raccordement entre des conducteurs rigides pour postes	92
Figure 7	– Montages d'essai pour dispositifs de court-circuit polyphasés pour lignes aériennes.....	93
Figure 8	– Montages d'essai pour dispositifs monophasés pour lignes aériennes et pour postes ouverts	94
Figure 9	– Forme du courant de court-circuit en cours d'essai	96
Figure A.1	– Montage d'essai pour équipement monophasé pour réseaux ferroviaires.....	100
Figure B.1	– Disposition pour essais de flexion sur les perches de mise à la terre de section circulaire.....	104
Figure B.2	– Disposition pour essais de torsion sur les perches de mise à la terre de section circulaire.....	105
Figure C.1	– Courbes représentant l'élévation de température des conducteurs de nature différente relative à leur intégrale de Joule J^2t	110
Figure C.2	– Détermination de la température du conducteur par échauffement.....	111
Figure C.3	– Détermination de J^2t	112
Figure C.4	– Exemple de la région utilisable pour un dispositif.....	114
Figure D.1	– Détermination du courant de courte durée	118
Tableau 1	– Longueurs courantes de câbles de terre et de court-circuit pour différents types d'installations et différents niveaux de tension.....	71

Tableau 2 – Section minimale des câbles de terre en fonction de celle des câbles et/ou barres de court-circuit pour des réseaux à neutre indirectement mis à la terre	80
Tableau 3 – Force de traction appliquée à un câble muni de ses embouts d'extrémités	88
Tableau A.1 – Valeurs de courant de court-circuit pour câbles de cuivre et avec une température maximale de 450 °C	101
Tableau B.1 – Flèche maximale	104
Tableau C.1 – Comparaison de différentes valeurs normalisées de sections	108
Tableau C.2 – Court-circuit à proximité des génératrices – Valeurs de courant de court-circuit en kA pour des câbles en cuivre ayant une température maximale de 300°C	109
Tableau E.1 – Liste des essais de type avec références des paragraphes	119
Tableau F.1 – Classification des défauts et exigences et essais associés	120

COMMISSION ÉLECTROTECHNIQUE INTERNATIONALE

TRAVAUX SOUS TENSION – ÉQUIPEMENTS PORTABLES DE MISE À LA TERRE OU DE MISE À LA TERRE ET EN COURT-CIRCUIT

AVANT-PROPOS

- 1) La Commission Electrotechnique Internationale (CEI) est une organisation mondiale de normalisation composée de l'ensemble des comités électrotechniques nationaux (Comités nationaux de la CEI). La CEI a pour objet de favoriser la coopération internationale pour toutes les questions de normalisation dans les domaines de l'électricité et de l'électronique. A cet effet, la CEI – entre autres activités – publie des Normes internationales, des Spécifications techniques, des Rapports techniques, des Spécifications accessibles au public (PAS) et des Guides (ci-après dénommés "Publication(s) de la CEI"). Leur élaboration est confiée à des comités d'études, aux travaux desquels tout Comité national intéressé par le sujet traité peut participer. Les organisations internationales, gouvernementales et non gouvernementales, en liaison avec la CEI, participent également aux travaux. La CEI collabore étroitement avec l'Organisation Internationale de Normalisation (ISO), selon des conditions fixées par accord entre les deux organisations.
- 2) Les décisions ou accords officiels de la CEI concernant les questions techniques représentent, dans la mesure du possible, un accord international sur les sujets étudiés, étant donné que les Comités nationaux de la CEI intéressés sont représentés dans chaque comité d'études.
- 3) Les Publications de la CEI se présentent sous la forme de recommandations internationales et sont agréées comme telles par les Comités nationaux de la CEI. Tous les efforts raisonnables sont entrepris afin que la CEI s'assure de l'exactitude du contenu technique de ses publications; la CEI ne peut pas être tenue responsable de l'éventuelle mauvaise utilisation ou interprétation qui en est faite par un quelconque utilisateur final.
- 4) Dans le but d'encourager l'uniformité internationale, les Comités nationaux de la CEI s'engagent, dans toute la mesure possible, à appliquer de façon transparente les Publications de la CEI dans leurs publications nationales et régionales. Toutes divergences entre toutes Publications de la CEI et toutes publications nationales ou régionales correspondantes doivent être indiquées en termes clairs dans ces dernières.
- 5) La CEI n'a prévu aucune procédure de marquage valant indication d'approbation et n'engage pas sa responsabilité pour les équipements déclarés conformes à une de ses Publications.
- 6) Tous les utilisateurs doivent s'assurer qu'ils sont en possession de la dernière édition de cette publication.
- 7) Aucune responsabilité ne doit être imputée à la CEI, à ses administrateurs, employés, auxiliaires ou mandataires, y compris ses experts particuliers et les membres de ses comités d'études et des Comités nationaux de la CEI, pour tout préjudice causé en cas de dommages corporels et matériels, ou de tout autre dommage de quelque nature que ce soit, directe ou indirecte, ou pour supporter les coûts (y compris les frais de justice) et les dépenses découlant de la publication ou de l'utilisation de cette Publication de la CEI ou de toute autre Publication de la CEI, ou au crédit qui lui est accordé.
- 8) L'attention est attirée sur les références normatives citées dans cette publication. L'utilisation de publications référencées est obligatoire pour une application correcte de la présente publication.
- 9) L'attention est attirée sur le fait que certains des éléments de la présente Publication de la CEI peuvent faire l'objet de droits de propriété intellectuelle ou de droits analogues. La CEI ne saurait être tenue pour responsable de ne pas avoir identifié de tels droits de propriété et de ne pas avoir signalé leur existence.

La Norme internationale CEI 61230 a été établie par le comité d'études 78 de la CEI: Travaux sous tension.

La seconde édition annule et remplace la première édition publiée en 1993. Cette édition constitue une révision technique.

Les principaux changements sont:

- l'extension du domaine d'application pour couvrir l'usage des équipements sur des installations à courant continu;
- l'extension de l'usage de l'aluminium à toutes les parties conductrices du dispositif;
- l'extension de l'application aux câbles recouverts de silicone réalisée par la révision par le TC 20 de la CEI 61138;
- la possibilité d'utiliser la présente norme pour des composants séparés de ces équipements;

- la révision générale des exigences et des essais;
- la disparition de l'exigence de marquage du double triangle, afin d'établir de façon claire que les produits couverts par la présente norme ne sont pas appropriés pour réaliser des travaux sous tension;
- la clarification et la modification de la procédure d'essai de court-circuit:
 - le changement du nombre de dispositifs soumis à l'essai,
 - le changement du temps de conditionnement préalable à 48 h,
 - la clarification de la procédure d'essai pour des composants séparés,
- pour les produits issus de la production, l'application de l'évaluation de la conformité selon la CEI 61318 Ed.3;
- la révision des annexes existantes;
- le changement des Annexes normatives A et C pour les Annexes informatives C et B, avec une revue du contenu;
- la disparition de l'Annexe B qui n'est plus applicable, en accord avec la CEI 61318 Ed.3;
- la disparition de l'Annexe D, ses exigences et essais étant maintenant inclus dans le corps de la norme;
- l'introduction d'une nouvelle Annexe A informative sur les applications aux réseaux ferroviaires;
- l'introduction d'une nouvelle Annexe D informative proposant un guide pour déterminer la valeur efficace équivalente d'un courant de court-circuit;
- la révision de la liste des essais de type qui apparaît maintenant à l'Annexe E normative;
- l'introduction d'une nouvelle Annexe F normative traitant de la classification des défauts.

Le texte de cette norme est issu des documents suivants:

FDIS	Rapport de vote
78/741/FDIS	78/748/RVD

Le rapport de vote indiqué dans le tableau ci-dessus donne toute information sur le vote ayant abouti à l'approbation de cette norme.

Cette publication a été rédigée selon les Directives ISO/CEI, Partie 2.

Le comité a décidé que le contenu de cette publication ne sera pas modifié avant la date de maintenance indiquée sur le site web de la CEI sous "<http://webstore.iec.ch>" dans les données relatives à la publication recherchée. A cette date, la publication sera

- reconduite,
- supprimée,
- remplacée par une édition révisée, ou
- amendée.

INTRODUCTION

La présente Norme Internationale a été préparée conformément aux exigences de la CEI 61477.

Un accord peut être établi entre fabricant et client portant sur des exigences et des essais supplémentaires. Ces exigences supplémentaires sont prescrites dans la spécification du client sur des bases d'une procédure de réception.

TRAVAUX SOUS TENSION – ÉQUIPEMENTS PORTABLES DE MISE À LA TERRE OU DE MISE À LA TERRE ET EN COURT-CIRCUIT

1 Domaine d'application

La présente Norme Internationale est applicable aux équipements portables avec ou sans points de connexion assortis, pour mise temporaire à la terre ou mise à la terre et en court-circuit des installations électriques à courant alternatif ou à courant continu, isolées ou hors tension, des réseaux de distribution et de transport, qu'ils soient aériens ou souterrains et de tension basse ou haute.

NOTE L'Annexe A fournit un guide pour l'application aux réseaux ferroviaires.

La présente norme couvre l'équipement comprenant un dispositif de mise à la terre ou de court-circuit, ou de mise à la terre et en court-circuit, et un composant isolant. Des exemples sont donnés à la Figure 1a et à la Figure 1b.

Elle couvre aussi:

- les dispositifs de mise à la terre ou de court-circuit, ou de mise à la terre et en court-circuit prévus pour être installés à l'aide d'un moyen isolant. Un exemple de dispositif de mise à la terre est donné à la Figure 1c;
- des composants séparés, tels que la rallonge conductrice (voir Figure 1b) une pince ou un câble avec ses extrémités.

La performance des équipements, dispositifs et composants couverts par la présente norme, est basée sur les effets électrodynamiques et électrothermiques mis en jeu durant le court-circuit. La capacité de tenue des équipements et dispositifs est exprimée par leurs valeurs assignées de courant, de temps et de facteur de crête. Aucune tension assignée n'est donnée mais les dimensions géométriques de l'équipement sont liées à la tension de l'installation.

Des exemples de diagrammes de connexion des dispositifs de mise à la terre et en court-circuit sont donnés aux Figures 2 et 3. Les longueurs de câble qui y sont couramment associées sont données au Tableau 1.

Ne sont pas couverts par la présente norme:

- les moyens isolants tels que les perches isolantes, les perches télescopiques, les manches isolants, les gants isolants, les équipements élévateurs à bras isolants, les cordes isolantes qui sont utilisés pour mettre en place le dispositif de mise à la terre et en court-circuit;
- le composant isolant à l'exception des exigences fondamentales de sécurité pour l'élément isolant;

NOTE Des recommandations fondamentales de sécurité sont données en Annexe B pour les perches de mise à la terre.

- les dispositifs conçus uniquement pour évacuer les courants induits;
- les méthodes de travail applicables pour l'utilisation des équipements portables de mise à la terre ou de mise à la terre et en court-circuit.

NOTE Il convient que les équipements conformes à la présente norme soient utilisés selon des méthodes de travail réputées sûres et selon les réglementations locales ou nationales, telles que les méthodes de travaux sous tension ou de travaux hors tension.

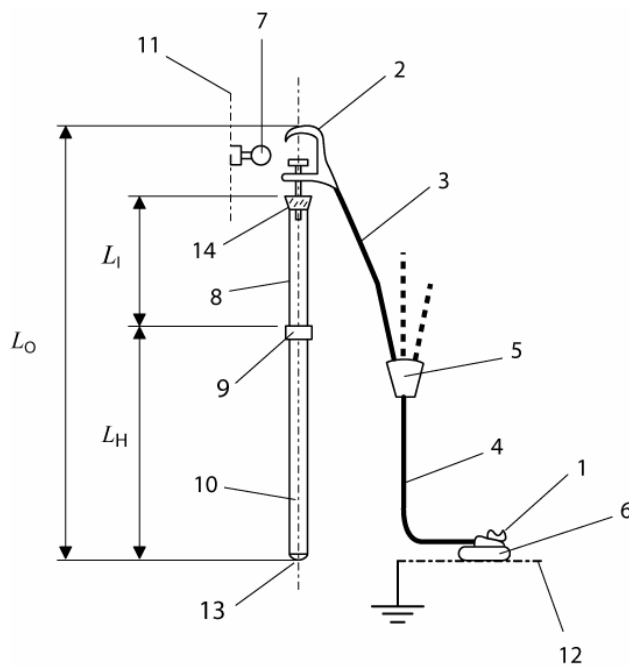


Figure 1a – Equipement polyphasé

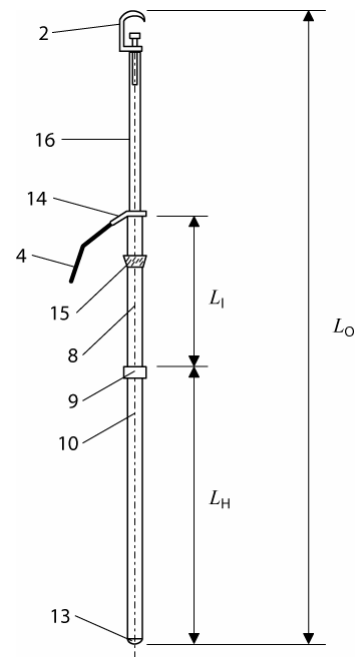
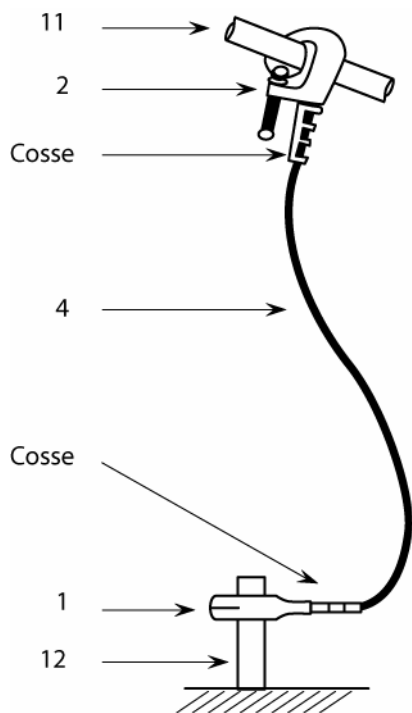


Figure 1b – Equipement monophasé avec rallonge



NOTE Le même dispositif peut aussi être utilisé pour la mise en court-circuit.

Figure 1c – Dispositif de mise à la terre

Légende

- 1 Etau de terre ou étau de rail
- 2 Pince de conducteur ou pince de caténaire
- 3 Câble(s) de court-circuit
- 4 Câble(s) de terre
- 5 Bloc de jonction
- 6 Point fixe de connexion à la terre ou au rail
- 7 Point fixe de connexion au conducteur ou à la caténaire
- 8 Élément isolant
- 9 Marque limite du manche
- 10 Poignée de la perche de mise à la terre
- 11 Conducteur ou barre de l'installation
- 12 Réseau de terre
- 13 Bouchon d'extrémité de la perche
- 14 Embout permanent ou détachable
- 15 Jonction de perche, détachable pour le transport
- 16 Rallonge conductrice
- L_1 Longueur de l'élément isolant
- L_H Longueur de la poignée
- L_O Longueur totale de la perche de mise à la terre et de la rallonge conductrice

NOTE 1 Le dispositif de mise à la terre et en court-circuit est constitué des composants 1, 2, 3, 4, 5 et 16.

NOTE 2 La perche de mise à la terre est constituée des composants 8, 9, 10, 13, 14 et 15.

NOTE 3 Le dispositif de mise à la terre est constitué des composants 1, 2 et 4.

Figure 1 – Illustrations d'un dispositif et d'équipements portables pour les applications aux installations, aux réseaux électriques et ferroviaires

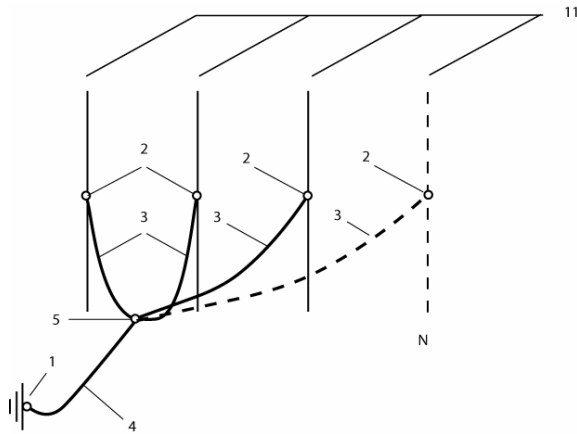


Figure 2a

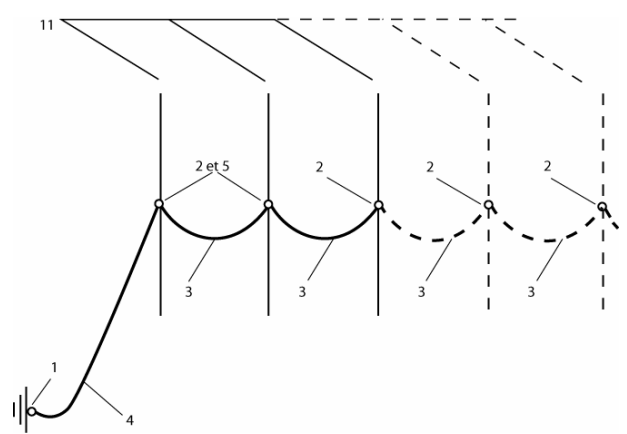


Figure 2b

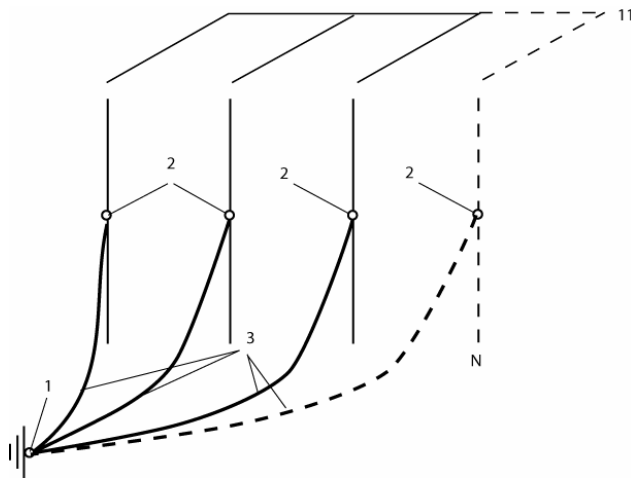


Figure 2c

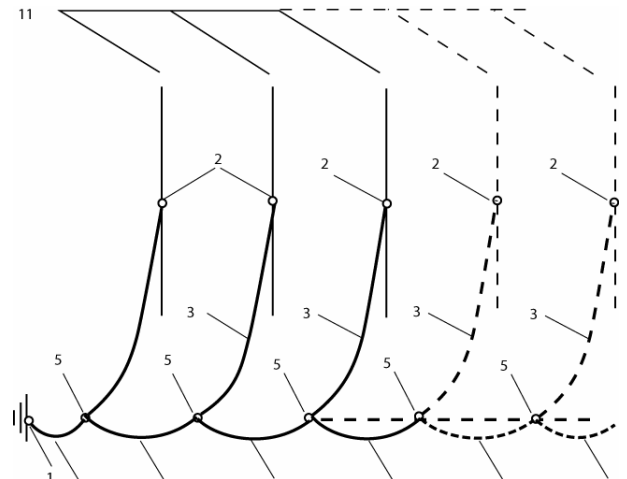
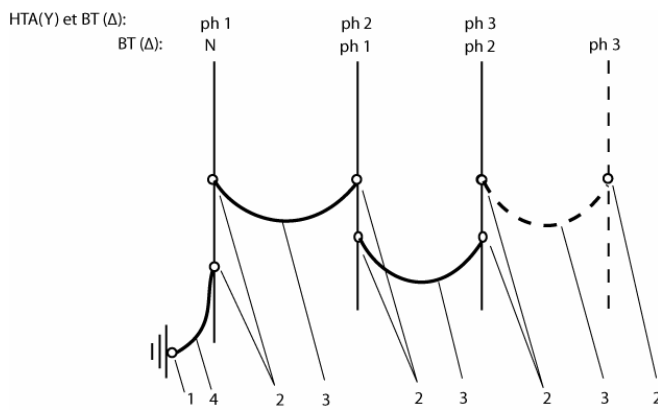


Figure 2d



HTA (Y) = Distribution Haute Tension, Y Réseau de neutre

BT (Δ) = Basse Tension, Δ Réseau de neutre

Figure 2e

Légende

- 1 Etau de terre
- 2 Pince de conducteur
- 3 Câble(s) de court-circuit
- 4 Câble(s) de terre
- 5 Bloc de jonction
- 11 Conducteur de l'installation ou barre
- 16 Rallonge conductrice

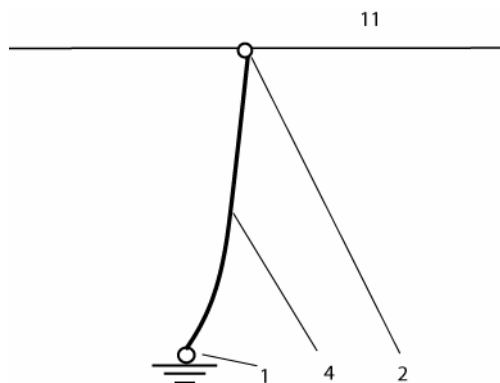


Figure 2f

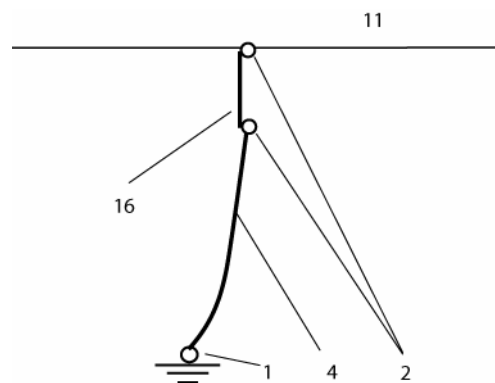


Figure 2g

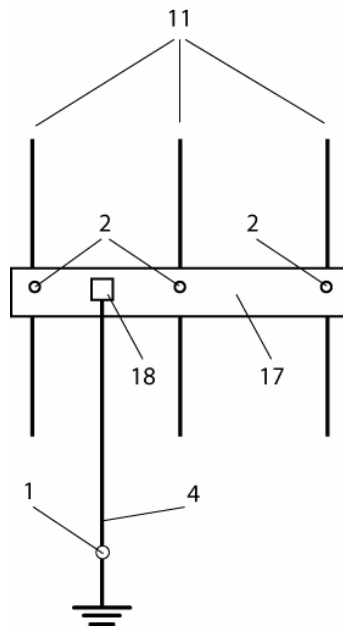
Figure 2 – Diagrammes de connexion des dispositifs de mise à la terre et en court-circuit monophasés et polyphasés pour application aux réseaux

NOTE La Figure 2 donne uniquement des exemples de diagrammes de connexion. Tous ces diagrammes ne sont pas appropriés dans toutes les situations. Il est de la responsabilité de l'utilisateur de prendre en compte le mouvement des câbles de connexion résultant des forces magnétiques, avant de réaliser la connexion finale.

Tableau 1 – Longueurs courantes de câbles de terre et de court-circuit pour différents types d'installations et différents niveaux de tension

Classes de tensions de service	Ligne aérienne	Poste ouvert	Poste intérieur ou sous enceinte métallique
Basse tension ^a	Polyphasée Figures 2a, 2b, 2c, 2d légende 3 = 0,5 m légende 4 = 12 m à 16 m	Polyphasé Figure 2c; légende 3 = 0,5 m Figure 2a; légende 3 = 0,5 m et légende 4 = 1 m à 10 m	Spécifique
	Monophasée Figure 2f légende 4 = 0,5 m à 10 m		
Distribution ^a	Polyphasée Figures 2a, 2b, 2c, 2d légende 3 = 2 m à 2,5 m légende 4 = 8 m à 10 m	Polyphasé Figures 2a, 2b, 2c légende 3 = 7,5 m à 10 m légende 4 = 2,5 m à 3 m	Polyphasé Figure 2a légende 3 = 0,7 m légende 4 = 2 m
	Polyphasée + 5 m de rallonge Figure 2g légende 4 = 8 m à 10 m	Monophasé Figure 2f légende 4 = 10 m à 12 m	
	Monophasée Figure 2f légende 4 = 8 m à 10 m		
Transport ^a	Monophasée Figure 2f légende 4 = 8 m	Monophasé Figure 2f légende 4 = 10 m à 12 m	Polyphasé Figure 2a légende 3 = 3 m légende 4 = 3 m
		Monophasé + 2 m à 5 m de rallonge Figure 2g légende 4 = 7 m à 8 m	Monophasé Figure 2f légende 4 = 3 m à 4 m

^a Pour les différentes classes de tension de service, les limites de tension sont les valeurs conventionnelles, et elles pourraient être modifiées par des réglementations nationales ou des pratiques nationales.



Légende

- 1 Etau de terre
- 2 Pince de conducteur
- 4 Câble(s) de terre
- 11 Conducteur de l'installation
- 17 Barre de court-circuit
- 18 Connexion du câble de terre

Figure 3 – Illustration d'un dispositif triphasé de mise à la terre et en court-circuit avec barre de court-circuit et câble(s) de mise à la terre pour application aux installations et aux réseaux

2 Références normatives

Les documents de référence suivants sont indispensables pour l'application du présent document. Pour les références datées, seule l'édition citée s'applique. Pour les références non datées, la dernière édition du document de référence s'applique (y compris les éventuels amendements).

CEI 60060-1:1989, *Techniques des essais à haute tension – Partie 1: Définitions et prescriptions générales relatives aux essais*¹⁾

CEI 60068-2-11:1981, *Essais d'environnement – Deuxième partie: Essais – Essai Ka: Brouillard salin*

CEI 60068-2-42:2003, *Essais d'environnement – Partie 2-42: Essais – Essai Kc: Essai à l'anhydride sulfureux pour contacts et connexions*

CEI 60811-1-4:1985, *Méthodes d'essais communes pour les matériaux d'isolation et de gainage des câbles électriques – Première partie: Méthodes d'application générale – Section quatre: Essais à basse température*

Amendement 1 (1993)

Amendement 2 (2001)

¹⁾ En révision.

CEI 60811-2-1:1998, *Matériaux d'isolation et de gainage des câbles électriques et optiques – Méthodes d'essais communes – Partie 2-1: Méthodes spécifiques pour les mélanges élastomères – Essais relatifs à la résistance à l'ozone, à l'allongement à chaud et à la résistance à l'huile*

Amendement 1 (2001)²⁾

CEI 60811-3-1:1985, *Méthodes d'essais communes pour les matériaux d'isolation et de gainage des câbles électriques – Troisième partie: Méthodes spécifiques pour les mélanges PVC – Section un – Essai de pression à température élevée – Essais de résistance à la fissuration*

Amendement 1 (1994)

Amendement 2 (2001)

CEI 61138:2007, *Câbles d'équipements portables de mise à la terre et de court-circuit*

CEI 61318:2007, *Travaux sous tension – Evaluation de la conformité applicable à l'outillage, au matériel et aux dispositifs*

CEI 61477:2001, *Travaux sous tension – Exigences minimales pour l'utilisation des outils, dispositifs et équipements*

Amendement 1 (2002)

Amendement 2 (2004)³⁾

2) Il existe une édition consolidée 2.1 (2001) qui comprend CEI 60811-2-1:1998 et son amendement.

3) Il existe une édition consolidée 1.2 (2005) qui comprend CEI 61447:2001 et ses Amendements 1 et 2.