



IEC 62264-6

Edition 1.0 2020-06

INTERNATIONAL STANDARD

NORME INTERNATIONALE



**Enterprise-control system integration –
Part 6: Messaging service model**

**Intégration des systèmes entreprise-contrôle –
Partie 6: Modèle de service de messagerie**

INTERNATIONAL
ELECTROTECHNICAL
COMMISSION

COMMISSION
ELECTROTECHNIQUE
INTERNATIONALE

ICS 25.040.40; 35.100.70

ISBN 978-2-8322-5222-2

**Warning! Make sure that you obtained this publication from an authorized distributor.
Attention! Veuillez vous assurer que vous avez obtenu cette publication via un distributeur agréé.**

CONTENTS

FOREWORD.....	6
INTRODUCTION.....	8
1 Scope.....	11
2 Normative references	11
3 Terms, definitions, abbreviation, and conventions.....	11
3.1 Terms and definitions.....	11
3.2 Abbreviations.....	12
3.3 Conventions.....	13
4 Overview of the MSM	13
4.1 Positioning of the MSM	13
4.2 Abstract service model.....	14
4.3 Transaction models supported	14
4.4 Application roles	15
4.5 MSM channels	15
4.6 MSM channel services	16
4.6.1 Types of channel services	16
4.6.2 Channel management services	16
4.6.3 Publication channel services.....	16
4.6.4 Request channel services.....	17
4.7 Notify listener service	17
5 Methods of operation of channels	18
5.1 Channel and topic identification	18
5.2 Channel names and hierarchy.....	18
5.2.1 Channel names.....	18
5.2.2 Channel name hierarchy.....	18
5.2.3 MSM root.....	18
5.2.4 Channel scope.....	19
5.2.5 Information scope	19
5.2.6 Channel use	19
5.3 Publication expiration.....	20
5.4 Topics.....	21
5.4.1 Topic definition	21
5.4.2 Topic names	21
5.5 Sessions	22
5.6 Security	22
5.6.1 Secure message exchanges	22
5.6.2 Security tokens on channels	22
5.6.3 Security token format.....	23
5.6.4 MSM service provider implementations.....	23
6 Service definitions	23
6.1 Type definitions	23
6.2 Defined return value of services	24
6.3 Channel management services	25
6.3.1 Create channel	25
6.3.2 Add security tokens	25
6.3.3 Remove security tokens.....	26

6.3.4	Delete channel	26
6.3.5	Get channel	26
6.3.6	Get channels	27
6.4	Notify listener service	27
6.5	Provider publication services	28
6.5.1	Open publication session	28
6.5.2	Post publication	28
6.5.3	Expire publication	28
6.5.4	Close publication session	29
6.6	Consumer publication services	29
6.6.1	Open subscription session	29
6.6.2	Read publication	30
6.6.3	Remove publication	30
6.6.4	Close subscription session	31
6.7	Provider request services	31
6.7.1	Open provider request session	31
6.7.2	Read request	32
6.7.3	Remove request	32
6.7.4	Post response	33
6.7.5	Close provider request session	33
6.8	Consumer request services	33
6.8.1	Open consumer request session	33
6.8.2	Post request	34
6.8.3	Read response	34
6.8.4	Remove response	35
6.8.5	Close consumer request session	35
7	Scenarios	36
7.1	Publish-subscribe scenarios	36
7.1.1	Simple publish-subscribe scenario	36
7.1.2	Publish-subscribe scenario with multiple messages	36
7.1.3	Publish-subscribe scenario without notification	37
7.1.4	Multiple publisher scenario	38
7.1.5	Publish-subscribe scenario with publication expiration	39
7.2	Request channel scenarios	40
7.2.1	Request-response scenario with notification	40
7.2.2	Request-response scenario without notification	41
7.2.3	Multiple providers	42
8	Conformance	43
Annex A (informative)	MSM service provider considerations	44
A.1	Service provider considerations	44
A.2	Notification	44
A.3	Security considerations	44
A.4	MSM application implementation considerations	44
A.5	MSM channel security considerations	45
A.6	MSM session ID considerations	45
A.7	Data format validation	45
A.8	Allowed application checking	45
A.9	Data exchange logging	45
A.10	Common error handling	45

A.11	Data transformation services.....	46
A.12	Cross company bridges.....	46
A.13	Message maintenance	47
Annex B (informative)	Enterprise Service Buses	48
Bibliography.....		50
Figure 1	– Steps in application-to-application communication	9
Figure 2	– Defined standards at each level	9
Figure 3	– Positioning and role of MSM.....	14
Figure 4	– Messaging service model terminology	15
Figure 5	– Channel management services	16
Figure 6	– Publication channel services	17
Figure 7	– Services for request.....	17
Figure 8	– Notify listener service.....	18
Figure 9	– Changes and checkpoint channel example	20
Figure 10	– Security of channels.....	23
Figure 11	– Publication scenario with notification.....	36
Figure 12	– Publication scenario with multiple messages	37
Figure 13	– Publication without notification	38
Figure 14	– Publication with multiple provider applications.....	39
Figure 15	– Publication with expired publications	40
Figure 16	– GET/SHOW request service scenario.....	41
Figure 17	– CHANGE / RESPONSE request service scenario	42
Figure 18	– Multiple providers CHANGE/RESPONSE scenario	43
Figure A.1	– Transformation services with the MSM service provider.....	46
Figure A.2	– Cross company bridge between multiple MSMs	47
Figure B.1	– Standard interface to ESBs and other message exchange systems.....	49
Table 1	– Application roles, channels, and services	16
Table 2	– Channel use for transaction verbs	19
Table 3	– Type definitions.....	24
Table 4	– Service fault definitions	24
Table 5	– Service parameter definitions	25
Table 6	– Create channel.....	25
Table 7	– Add security tokens.....	25
Table 8	– Remove security tokens	26
Table 9	– Delete channel	26
Table 10	– Get channel.....	27
Table 11	– Get channels	27
Table 12	– Notify listener	27
Table 13	– Open publication session	28
Table 14	– Post publication.....	28
Table 15	– Expire publication.....	29

Table 16 – Close publication session 29

Table 17 – Open subscription session..... 30

Table 18 – Read publication 30

Table 19 – Remove publication 31

Table 20 – Close subscription session 31

Table 21 – Open provider request session 32

Table 22 – Read request..... 32

Table 23 – Remove request 33

Table 24 – Post response 33

Table 25 – Close provider request session..... 33

Table 26 – Open consumer request session..... 34

Table 27 – Post request 34

Table 28 – Read response 35

Table 29 – Remove response 35

Table 30 – Close consumer request session 35

INTERNATIONAL ELECTROTECHNICAL COMMISSION

ENTERPRISE-CONTROL SYSTEM INTEGRATION –**Part 6: Messaging service model**

FOREWORD

- 1) The International Electrotechnical Commission (IEC) is a worldwide organization for standardization comprising all national electrotechnical committees (IEC National Committees). The object of IEC is to promote international co-operation on all questions concerning standardization in the electrical and electronic fields. To this end and in addition to other activities, IEC publishes International Standards, Technical Specifications, Technical Reports, Publicly Available Specifications (PAS) and Guides (hereafter referred to as “IEC Publication(s)”). Their preparation is entrusted to technical committees; any IEC National Committee interested in the subject dealt with may participate in this preparatory work. International, governmental and non-governmental organizations liaising with the IEC also participate in this preparation. IEC collaborates closely with the International Organization for Standardization (ISO) in accordance with conditions determined by agreement between the two organizations.
- 2) The formal decisions or agreements of IEC on technical matters express, as nearly as possible, an international consensus of opinion on the relevant subjects since each technical committee has representation from all interested IEC National Committees.
- 3) IEC Publications have the form of recommendations for international use and are accepted by IEC National Committees in that sense. While all reasonable efforts are made to ensure that the technical content of IEC Publications is accurate, IEC cannot be held responsible for the way in which they are used or for any misinterpretation by any end user.
- 4) In order to promote international uniformity, IEC National Committees undertake to apply IEC Publications transparently to the maximum extent possible in their national and regional publications. Any divergence between any IEC Publication and the corresponding national or regional publication shall be clearly indicated in the latter.
- 5) IEC itself does not provide any attestation of conformity. Independent certification bodies provide conformity assessment services and, in some areas, access to IEC marks of conformity. IEC is not responsible for any services carried out by independent certification bodies.
- 6) All users should ensure that they have the latest edition of this publication.
- 7) No liability shall attach to IEC or its directors, employees, servants or agents including individual experts and members of its technical committees and IEC National Committees for any personal injury, property damage or other damage of any nature whatsoever, whether direct or indirect, or for costs (including legal fees) and expenses arising out of the publication, use of, or reliance upon, this IEC Publication or any other IEC Publications.
- 8) Attention is drawn to the Normative references cited in this publication. Use of the referenced publications is indispensable for the correct application of this publication.
- 9) Attention is drawn to the possibility that some of the elements of this IEC Publication may be the subject of patent rights. IEC shall not be held responsible for identifying any or all such patent rights.

International Standard IEC 62264-6 has been prepared by subcommittee 65E: Devices and integration in enterprise systems, of IEC technical committee TC65: Industrial-process measurement, control and automation.

The text of this International Standard is based on the following documents:

FDIS	Report on voting
65E/706/FDIS	65E/724/RVD

Full information on the voting for the approval of this International Standard can be found in the report on voting indicated in the above table.

This document has been drafted in accordance with the ISO/IEC Directives, Part 2.

A list of all parts in the IEC 62264, published under the general title *Enterprise-control system integration*, can be found on the IEC website.

The committee has decided that the contents of this document will remain unchanged until the stability date indicated on the IEC website under "<http://webstore.iec.ch>" in the data related to the specific document. At this date, the document will be

- reconfirmed,
- withdrawn,
- replaced by a revised edition, or
- amended.

IMPORTANT – The 'colour inside' logo on the cover page of this publication indicates that it contains colours which are considered to be useful for the correct understanding of its contents. Users should therefore print this document using a colour printer.

INTRODUCTION

This document is based on the use of IEC 62264 object models defined in IEC 62264-2, IEC 62264-4 and IEC 62264-5 to define a set of services that may be used to exchange messages. This document defines a messaging service model (MSM) for exchanging messages in a publish-subscribe mode and a request-response mode.

The Messaging Service Model provides a method for applications to send and receive messages from MSM service providers without regard to the underlying communication mechanism, as part of a complete application-to-application data exchange.

This document defines a model for message exchange services (Messaging Service Model) that are designed to provide a technology independent method for sending and receiving transaction messages to or from underlying exchange services.

The knowledge requirements to interface to just one message exchange system can be immense and are usually not transferable to a different system. MSM defines a single interface, independent of the underlying exchange services, for exchanging data objects defined by IEC 62264-2 and by IEC 62264-4. This removes the need for vendors to build custom interface after custom interface, and for end users to get locked into a single vendor because their investment prevents them from reusing any of the integration efforts.

Exchanging the data objects between different computer system applications involves multiple different steps, as shown in Figure 1.

- a) The applications usually have different internal representations of exchanged objects in their own local data stores. This representation is usually converted from the local format to a commonly accepted global format. IEC 62264-2 defines models of a global format for Level 4-3 data exchanges. IEC 62264-4 defines models of a global format for Level 3-3 data exchanges. This conversion, from local to global and global to local, is usually performed twice for any two-way communications.

EXAMPLE 1 Assume two applications, ALPHA and BETA: the ALPHA application initiates a data exchange with the BETA application, and BETA responds back to ALPHA. The format conversions are: ALPHA's local format to global format for the request data, global format to BETA's local format for the request data, BETA's local format to global format for the response data, and global format to ALPHA's format for the response data.

- b) Conversion is performed to align the namespaces among the exchanging applications and is usually performed four times for any two-way communications.

EXAMPLE 2 Names for elements of data can be codes, tag names, or equipment identifiers.

EXAMPLE 3 Data which are represented in one element namespace, such as codes 1,2,3,4, can have a different namespace in another application, such as codes Ok, Done, Error, Delay.

- c) Once information is in the global format with global names, the exchanged information is sent from one application to another application.
- d) Messages are transported from one application to another, either within the same computer environment or across computers. Transport mechanisms are defined in other standards, such as TCP/IP and Ethernet standards.
- e) When data exchange information is received, there are specific rules that define what resultant data are to be returned. The transaction rules are defined in IEC 62264-5.

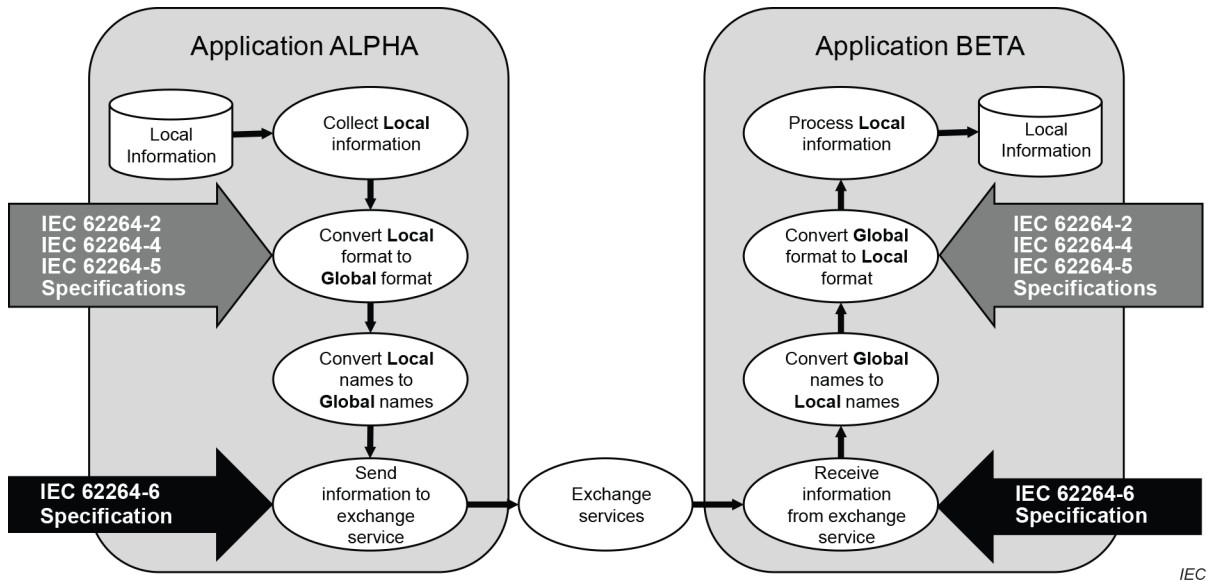


Figure 1 – Steps in application-to-application communication

MSM is a minimal interface subset that can reside on most exchange services and is based on well-defined and structured data objects and transaction messages.

Each layer shown in Figure 2 addresses a specific element of application data exchange.

- 1) A Data Object layer defines the meaning, format, and structure of the basic elements of exchanged information.

NOTE 1 This layer uses application space specific definitions, such as the IEC 62264-2 and IEC 62264-4 object definitions, MESA B2MML, MIMOSA CCOM objects, and "Nouns" defined in OAGIS.

- 2) A Transaction layer defines the meaning, format, and structure of actions to be taken on the data objects.

NOTE 2 This layer can use IEC 62264-5 transaction style specific definitions. Another transaction layer definition could be the OAGIS "Verb" definitions.

- 3) The MSM defines an interface to the OSI Application layer's services.
- 4) The application, presentation, session and lower level layers define the meaning, format, and structure for coordination, buffering, and exchange of messages or files. These layers contain transfer or exchange style specific definitions, such as Enterprise Service Buses, Enterprise Message Delivery Systems, the OPC UA specification (IEC 62541 standard), RSS, FTP, Named Pipes, Ethernet, TCP/IP, HTTP, and others.

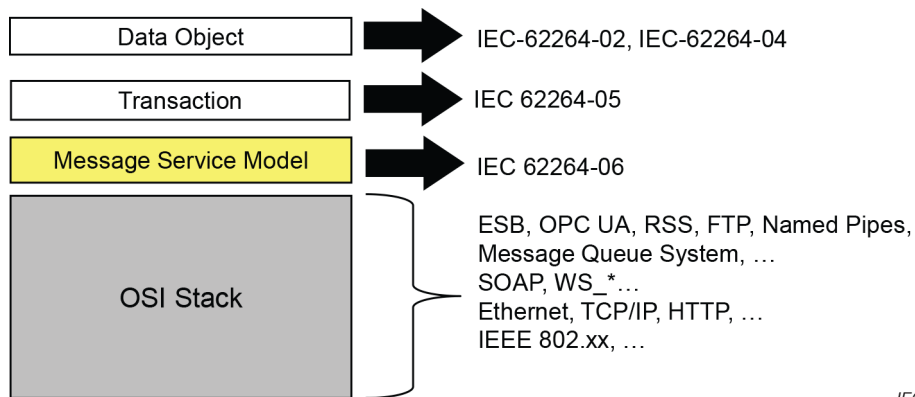


Figure 2 – Defined standards at each level

The IEC 62264-5 standard defines transactions on the information. The Messaging Service Model (MSM) defines an interface to methods for exchange. In a sense, MSM defines the standard "on-ramp" and "off-ramp" to the application layer services. It defines how data is placed into exchange methods and how it is retrieved from the exchange methods.

NOTE 1 Message synchronization using the MSM service is distinct from the message synchronization provided by the 62264-5 transaction models as well as distinct from the synchronization mechanisms provided at lower levels of the communications stack.

NOTE 2 In this document, asynchronous message exchanges between consumers and producers can be considered to be pairs of distinct, unidirectional messages.

This document includes two informative annexes. Annex A is informative. It provides considerations for (MSM) service providers. Annex B is informative. It provides a brief description of Enterprise Service Buses as a message exchange mechanism.

ENTERPRISE-CONTROL SYSTEM INTEGRATION –

Part 6: Messaging service model

1 Scope

This document defines a technology independent model for a set of abstract services that is located above the application layer of the OSI model, and that is used for exchanging transaction messages based on the transaction models defined in IEC 62264-5. The model, which is called the Messaging Service Model (MSM), is intended for interoperability between manufacturing operations domain applications and applications in other domains.

NOTE It is recognized that other sets of services not defined in accordance with this document are possible for the exchange of MOM information and are not deemed invalid as a result of this document.

2 Normative references

The following documents are referred to in the text in such a way that some or all of their content constitutes requirements of this document. For dated references, only the edition cited applies. For undated references, the latest edition of the referenced document (including any amendments) applies.

IEC 62264-1, *Enterprise-control system integration – Part 1: Models and terminology*

IEC 62264-2, *Enterprise-control system integration – Part 2: Object and attributes for enterprise-control system integration*

IEC 62264-4, *Enterprise-control system integration – Part 4: Objects models attributes for manufacturing operations management integration*

IEC 62264-5, *Enterprise-control system integration – Part 5: Business to manufacturing transactions*

SOMMAIRE

AVANT-PROPOS	56
INTRODUCTION.....	58
1 Domaine d'application	61
2 Références normatives	61
3 Termes, définitions, abréviations et conventions.....	61
3.1 Termes et définitions	61
3.2 Abréviations.....	62
3.3 Conventions.....	63
4 Présentation du MSM	63
4.1 Positionnement du MSM	63
4.2 Modèle de service abstrait	64
4.3 Modèles de transaction pris en charge.....	64
4.4 Rôles des applications	65
4.5 Canaux MSM	65
4.6 Services de canal MSM.....	66
4.6.1 Types de services de canal	66
4.6.2 Services de gestion des canaux.....	66
4.6.3 Services de canal de publication.....	66
4.6.4 Services de canal de demande	67
4.7 Service "Notify Listener"	67
5 Méthode d'exploitation des canaux	68
5.1 Identification de canal et de sujet.....	68
5.2 Noms de canaux et hiérarchie.....	68
5.2.1 Noms de canaux.....	68
5.2.2 Hiérarchie des noms de canaux.....	68
5.2.3 Racine MSM	68
5.2.4 Domaine d'application du canal	68
5.2.5 Domaine d'application des informations	69
5.2.6 Usage du canal.....	69
5.3 Expiration de la publication	70
5.4 Sujets	70
5.4.1 Définition du sujet.....	70
5.4.2 Noms de sujets.....	71
5.5 Sessions	71
5.6 Sécurité	71
5.6.1 Echanges de messages sécurisés	71
5.6.2 Jetons de sécurité sur les canaux.....	72
5.6.3 Format du jeton de sécurité	72
5.6.4 Implémentations des fournisseurs de services MSM	72
6 Définitions des services.....	73
6.1 Définitions des types.....	73
6.2 Valeur de retour définie des services	73
6.3 Services de gestion des canaux.....	74
6.3.1 Create Channel	74
6.3.2 Add Security Tokens.....	74
6.3.3 Remove Security Tokens	75

6.3.4	Delete Channel.....	75
6.3.5	Get Channel	75
6.3.6	Get Channels	76
6.4	Service "Notify Listener"	76
6.5	Services de publication du fournisseur	76
6.5.1	Open Publication Session.....	76
6.5.2	Post Publication.....	77
6.5.3	Expire Publication.....	77
6.5.4	Close Publication Session	77
6.6	Services de publication du client.....	78
6.6.1	Open Subscription Session.....	78
6.6.2	Read Publication	78
6.6.3	Remove Publication.....	78
6.6.4	Close Subscription Session	79
6.7	Services de demande du fournisseur	79
6.7.1	Open Provider Request Session	79
6.7.2	Read Request.....	80
6.7.3	Remove Request.....	80
6.7.4	Post Response	80
6.7.5	Close Provider Request Session.....	81
6.8	Services de demande du client	81
6.8.1	Open Consumer Request Session	81
6.8.2	Post Request.....	81
6.8.3	Read Response	82
6.8.4	Remove Response	82
6.8.5	Close Consumer Request Session.....	83
7	Scénarios	83
7.1	Scénarios de publication-abonnement.....	83
7.1.1	Scénario simple de publication-abonnement	83
7.1.2	Scénario de publication-abonnement avec plusieurs messages	84
7.1.3	Scénario de publication-abonnement sans notification	85
7.1.4	Scénario à plusieurs éditeurs.....	85
7.1.5	Scénario de publication-abonnement avec expiration des publications	86
7.2	Scénarios de canaux de demande	87
7.2.1	Scénario de demandes-réponses avec notification.....	87
7.2.2	Scénario de demandes-réponses sans notification.....	88
7.2.3	Plusieurs fournisseurs	88
8	Conformité.....	89
Annexe A (informative) Considérations relatives au fournisseur de services MSM		90
A.1	Considérations relatives au fournisseur de services	90
A.2	Notification.....	90
A.3	Considérations relatives à la sécurité.....	90
A.4	Considérations relatives à l'implémentation des applications MSM.....	90
A.5	Considérations relatives à la sécurité des canaux MSM	91
A.6	Considérations relatives aux ID de sessions MSM	91
A.7	Validation du format de données	91
A.8	Vérification des applications autorisées	91
A.9	Consignation des échanges de données	91
A.10	Gestion commune des erreurs	91

A.11	Services de transformation des données.....	91
A.12	Ponts inter-entreprises.....	92
A.13	Maintenance des messages.....	93
Annexe B (informative)	Enterprise Service Buses.....	94
Bibliographie.....		96
Figure 1	– Etapes de la communication d'application à application.....	59
Figure 2	– Normes définies à chaque niveau.....	59
Figure 3	– Positionnement et rôle du MSM.....	64
Figure 4	– Terminologie du Modèle de service de messagerie.....	65
Figure 5	– Services de gestion des canaux.....	66
Figure 6	– Services de canal de publication.....	67
Figure 7	– Services pour les demandes.....	67
Figure 8	– Service "Notify Listener".....	68
Figure 9	– Exemple de canal "Changes" et "Checkpoint".....	70
Figure 10	– Sécurité des canaux.....	72
Figure 11	– Scénario de publication avec notification.....	84
Figure 12	– Scénario de publication avec plusieurs messages.....	84
Figure 13	– Publication sans notification.....	85
Figure 14	– Publication avec plusieurs applications fournisseuses.....	86
Figure 15	– Scénario avec publications expirées.....	87
Figure 16	– Scénario de service de demande GET/SHOW.....	87
Figure 17	– Scénario de service de demande CHANGE/RESPONSE.....	88
Figure 18	– Scénario CHANGE/RESPONSE à plusieurs fournisseurs.....	89
Figure A.1	– Services de transformation avec le fournisseur de services MSM.....	92
Figure A.2	– Pont interentreprises entre plusieurs MSM.....	93
Figure B.1	– Interface normalisée aux systèmes ESB et aux autres systèmes d'échange de messages.....	95
Tableau 1	– Rôles, canaux et services des applications.....	66
Tableau 2	– Usage du canal pour les verbes de transaction.....	69
Tableau 3	– Définitions des types.....	73
Tableau 4	– Définitions des erreurs de service.....	73
Tableau 5	– Définitions des paramètres de service.....	74
Tableau 6	– Create Channel.....	74
Tableau 7	– Add Security Tokens.....	74
Tableau 8	– Remove Security Tokens.....	75
Tableau 9	– Delete Channel.....	75
Tableau 10	– Get Channel.....	75
Tableau 11	– Get Channels.....	76
Tableau 12	– Notify Listener.....	76
Tableau 13	– Open Publication Session.....	76
Tableau 14	– Post Publication.....	77
Tableau 15	– Expire Publication.....	77

Tableau 16 – Close Publication Session 77

Tableau 17 – Open Subscription Session..... 78

Tableau 18 – Read Publication 78

Tableau 19 – Remove Publication..... 79

Tableau 20 – Close Subscription Session 79

Tableau 21 – Open Provider Request Session 79

Tableau 22 – Read Request..... 80

Tableau 23 – Remove Request..... 80

Tableau 24 – Post Response 80

Tableau 25 – Close Provider Request Session..... 81

Tableau 26 – Open Consumer Request Session 81

Tableau 27 – Post Request..... 82

Tableau 28 – Read Response 82

Tableau 29 – Remove Response 82

Tableau 30 – Close Consumer Request Session..... 83

COMMISSION ÉLECTROTECHNIQUE INTERNATIONALE

INTÉGRATION DES SYSTÈMES ENTREPRISE-CONTRÔLE –

Partie 6: Modèle de service de messagerie

AVANT-PROPOS

- 1) La Commission Electrotechnique Internationale (IEC) est une organisation mondiale de normalisation composée de l'ensemble des comités électrotechniques nationaux (Comités nationaux de l'IEC). L'IEC a pour objet de favoriser la coopération internationale pour toutes les questions de normalisation dans les domaines de l'électricité et de l'électronique. A cet effet, l'IEC – entre autres activités – publie des Normes internationales, des Spécifications techniques, des Rapports techniques, des Spécifications accessibles au public (PAS) et des Guides (ci-après dénommés "Publication(s) de l'IEC"). Leur élaboration est confiée à des comités d'études, aux travaux desquels tout Comité national intéressé par le sujet traité peut participer. Les organisations internationales, gouvernementales et non gouvernementales, en liaison avec l'IEC, participent également aux travaux. L'IEC collabore étroitement avec l'Organisation Internationale de Normalisation (ISO), selon des conditions fixées par accord entre les deux organisations.
- 2) Les décisions ou accords officiels de l'IEC concernant les questions techniques représentent, dans la mesure du possible, un accord international sur les sujets étudiés, étant donné que les Comités nationaux de l'IEC intéressés sont représentés dans chaque comité d'études.
- 3) Les Publications de l'IEC se présentent sous la forme de recommandations internationales et sont agréées comme telles par les Comités nationaux de l'IEC. Tous les efforts raisonnables sont entrepris afin que l'IEC s'assure de l'exactitude du contenu technique de ses publications; l'IEC ne peut pas être tenue responsable de l'éventuelle mauvaise utilisation ou interprétation qui en est faite par un quelconque utilisateur final.
- 4) Dans le but d'encourager l'uniformité internationale, les Comités nationaux de l'IEC s'engagent, dans toute la mesure possible, à appliquer de façon transparente les Publications de l'IEC dans leurs publications nationales et régionales. Toutes divergences entre toutes Publications de l'IEC et toutes publications nationales ou régionales correspondantes doivent être indiquées en termes clairs dans ces dernières.
- 5) L'IEC elle-même ne fournit aucune attestation de conformité. Des organismes de certification indépendants fournissent des services d'évaluation de conformité et, dans certains secteurs, accèdent aux marques de conformité de l'IEC. L'IEC n'est responsable d'aucun des services effectués par les organismes de certification indépendants.
- 6) Tous les utilisateurs doivent s'assurer qu'ils sont en possession de la dernière édition de cette publication.
- 7) Aucune responsabilité ne doit être imputée à l'IEC, à ses administrateurs, employés, auxiliaires ou mandataires, y compris ses experts particuliers et les membres de ses comités d'études et des Comités nationaux de l'IEC, pour tout préjudice causé en cas de dommages corporels et matériels, ou de tout autre dommage de quelque nature que ce soit, directe ou indirecte, ou pour supporter les coûts (y compris les frais de justice) et les dépenses découlant de la publication ou de l'utilisation de cette Publication de l'IEC ou de toute autre Publication de l'IEC, ou au crédit qui lui est accordé.
- 8) L'attention est attirée sur les références normatives citées dans cette publication. L'utilisation de publications référencées est obligatoire pour une application correcte de la présente publication.
- 9) L'attention est attirée sur le fait que certains des éléments de la présente Publication de l'IEC peuvent faire l'objet de droits de brevet. L'IEC ne saurait être tenue pour responsable de ne pas avoir identifié de tels droits de brevets et de ne pas avoir signalé leur existence.

La Norme internationale IEC 62264-6 a été établie par le sous-comité 65E: Les dispositifs et leur intégration dans les systèmes de l'entreprise, du comité d'études 65 de l'IEC: Mesure, commande et automation dans les processus industriels.

La présente version bilingue (2021-08) correspond à la version anglaise monolingue publiée en 2020-06.

La version française de cette norme n'a pas été soumise au vote.

Ce document a été rédigé selon les Directives ISO/IEC, Partie 2.

Une liste de toutes les parties de la série IEC 62264, publiées sous le titre général *Intégration des systèmes entreprise-contrôle*, peut être consultée sur le site web de l'IEC.

Le comité a décidé que le contenu de ce document ne sera pas modifié avant la date de stabilité indiquée sur le site web de l'IEC sous "<http://webstore.iec.ch>" dans les données relatives au document recherché. A cette date, le document sera

- reconduit,
- supprimé,
- remplacé par une édition révisée, ou
- amendé.

IMPORTANT – Le logo "colour inside" qui se trouve sur la page de couverture de cette publication indique qu'elle contient des couleurs qui sont considérées comme utiles à une bonne compréhension de son contenu. Les utilisateurs devraient, par conséquent, imprimer cette publication en utilisant une imprimante couleur.

INTRODUCTION

Le présent document repose sur l'utilisation des modèles d'objets de l'IEC 62264 définis dans l'IEC 62264-2, l'IEC 62264-4 et l'IEC 62264-5 afin de définir un ensemble de services pouvant être utilisés pour échanger des messages. Le présent document définit un modèle de service de messagerie (MSM) pour l'échange de messages dans un mode publication-abonnement et un mode demande-réponse.

Le Modèle de Service de Messagerie fournit une méthode qui permet aux applications d'envoyer des messages aux fournisseurs de services MSM et d'en recevoir des messages, indépendamment du mécanisme sous-jacent de communication, dans le cadre d'un échange complet de données d'application à application.

Le présent document définit un modèle pour les services d'échange de messages (Modèle de Service de Messagerie) conçus pour fournir une méthode d'envoi et de réception de messages de transaction, vers ou depuis des services d'échange sous-jacents, indépendante de la technologie employée.

La création d'une interface avec un seul système d'échange de messages peut exiger des connaissances considérables, qui ne sont généralement valables que pour un type précis de système. Le MSM définit une interface unique, indépendante des services d'échange sous-jacents, pour échanger des objets de données définis par l'IEC 62264-2 et l'IEC 62264-4. Il n'est alors plus nécessaire pour les fournisseurs de générer en permanence de nouvelles interfaces personnalisées, et les utilisateurs finaux ne sont plus liés à un seul fournisseur du fait de leur investissement qui les empêche de réutiliser leurs efforts d'intégration.

L'échange d'objets de données entre différentes applications de systèmes informatiques implique plusieurs étapes distinctes, comme indiqué à la Figure 1.

- a) Les applications disposent généralement de différentes représentations internes des objets échangés dans leurs unités respectives de stockage de données. La plupart du temps, cette représentation est convertie du format local vers un format global communément adopté. L'IEC 62264-2 définit des modèles de format global pour les échanges de données de niveau 4-3. L'IEC 62264-4 définit des modèles de format global pour les échanges de données de niveau 3-3. Cette conversion, de format local à global et global à local, se produit généralement deux fois par communication bidirectionnelle.

EXEMPLE 1 Soit deux applications, ALPHA et BETA: l'application ALPHA initie un échange de données avec l'application BETA, qui répond alors à ALPHA. Les conversions de format se produisent ainsi: pour les données de la demande, le format local d'ALPHA est converti en format global, puis ce format global est converti en format local de BETA; pour les données de la réponse, le format local de BETA est converti en format global, qui est ensuite converti en format local d'ALPHA.

- b) La conversion est effectuée pour aligner les espaces de noms dans les applications d'échange, et se produit généralement quatre fois par communication bidirectionnelle.

EXEMPLE 2 Les noms d'éléments de données peuvent être des codes, des noms de balises ou des identificateurs d'équipement.

EXEMPLE 3 Des données représentées dans un espace de noms d'élément, comme les codes 1,2,3,4, peuvent avoir un espace de noms différent dans une autre application, comme les codes Ok, Done, Error, Delay.

- c) Lorsque l'information échangée est au format global, avec des noms globaux, elle est envoyée d'une application à une autre.
- d) Les messages sont transportés d'une application à l'autre, au sein d'un même environnement informatique, ou entre différents ordinateurs. Les mécanismes de transport sont définis dans d'autres normes, comme les normes TCP/IP et Ethernet.
- e) Lorsque l'information d'échange de données est reçue, il existe des règles spécifiques qui définissent les données résultantes à renvoyer. Les règles de transaction sont définies dans l'IEC 62264-5.

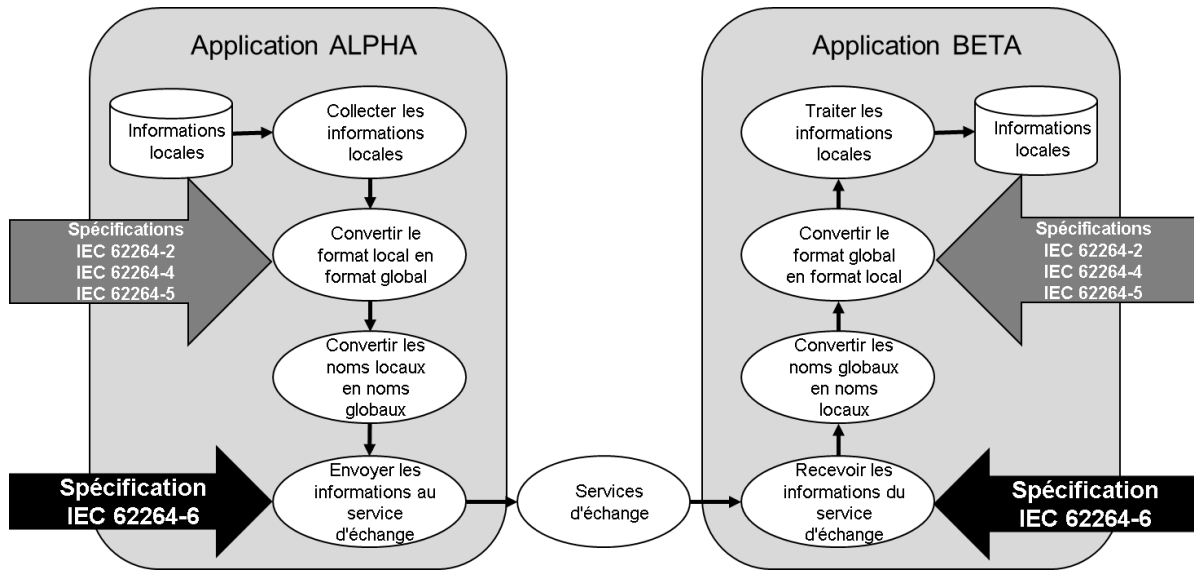


Figure 1 – Etapes de la communication d'application à application

Le MSM est un sous-ensemble d'interfaces minimales pouvant résider sur la plupart des services d'échange, et fondé sur des objets de données et des messages de transaction bien définis et structurés.

Chaque couche indiquée à la Figure 2 se rapporte à un élément spécifique de l'échange de données des applications.

- 1) Une couche Objet de données définit la signification, le format et la structure des éléments de base de l'information échangée.

NOTE 1 Cette couche utilise des définitions spécifiques à l'espace d'application, telles que les définitions d'objets de l'IEC 62264-2 et l'IEC 62264-4, d'objets MESA B2MML et MIMOSA CCOM, ainsi que les "Noms" définis dans OAGIS.

- 2) Une couche Transaction définit la signification, le format et la structure des actions à entreprendre sur les objets de données.

NOTE 2 Cette couche peut utiliser les définitions spécifiques aux styles de transactions de l'IEC 62264-5. Les définitions de "Verbes" de l'OAGIS peuvent être une autre façon de définir la couche de transactions.

- 3) Le MSM définit une interface aux services de la couche Application de l'OSI.
- 4) Les couches d'application, de présentation, de session et de niveaux inférieurs définissent la signification, le format et la structure pour la coordination, la mise en mémoire tampon et l'échange de messages ou de fichiers. Ces couches contiennent des définitions spécifiques aux styles de transferts ou d'échanges, comme Enterprise Service Buses, Enterprise Message Delivery Systems, la spécification OPC UA (norme IEC 62541), RSS, FTP, Named Pipes, Ethernet, TCP/IP, HTTP et autres.

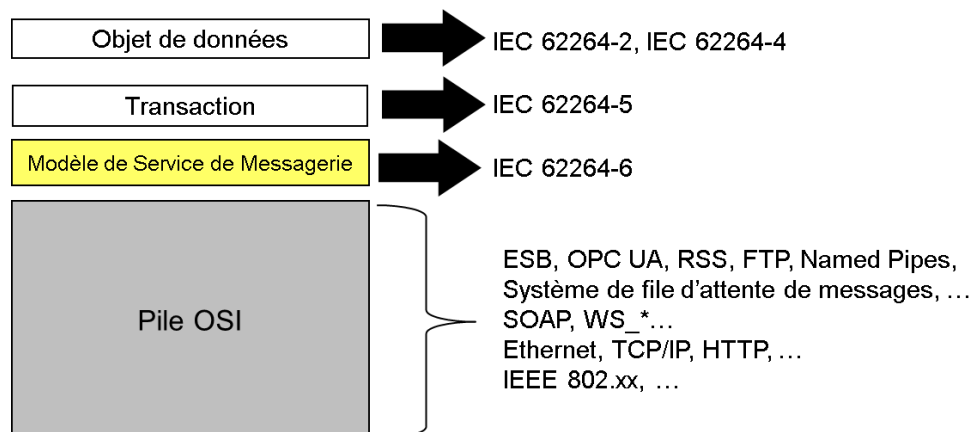


Figure 2 – Normes définies à chaque niveau

La norme IEC 62264-5 définit les transactions sur les informations. Le MSM (Modèle de Service de Messagerie) définit une interface aux méthodes d'échange. En quelque sorte, le MSM définit des "voies d'entrée et de sortie" normalisées aux services de la couche d'applications. Il définit la façon dont les données sont placées dans les méthodes d'échange et dont elles sont récupérées à partir des méthodes d'échange.

NOTE 1 La synchronisation des messages dans le cadre des services du MSM se distingue de celle fournie par les modèles de transaction 62264-5, ainsi que des mécanismes de synchronisation fournis aux niveaux inférieurs de la pile de communication.

NOTE 2 Dans le cadre du présent document, les échanges de messages asynchrones entre les clients et les fournisseurs peuvent être considérés comme des paires de messages unidirectionnels distincts.

Le présent document comprend deux annexes informatives. L'Annexe A est informative. Elle contient des considérations relatives aux fournisseurs de services (MSM). L'Annexe B est informative. Elle fournit une brève description des bus de services d'entreprise (Enterprise Service Bus) comme mécanisme d'échange de messages.

INTÉGRATION DES SYSTÈMES ENTREPRISE-CONTRÔLE –

Partie 6: Modèle de service de messagerie

1 Domaine d'application

Le présent document définit un modèle, indépendant de la technologie employée, pour un ensemble de services abstraits qui est situé au-dessus de la couche d'applications du modèle OSI et qui est utilisé pour échanger des messages de transaction sur la base des modèles de transaction définis dans l'IEC 62264-5. Le modèle, appelé Modèle de Service de Messagerie (MSM), est conçu pour l'interopérabilité entre les applications du domaine des opérations de fabrication et les applications d'autres domaines.

NOTE Il est admis que d'autres jeux de services, qui ne sont pas définis conformément au présent document, sont susceptibles d'être utilisés pour l'échange d'informations relatives à la gestion des opérations de fabrication. Ces services ne sont pas jugés comme non valides par rapport au présent document.

2 Références normatives

Les documents suivants sont cités dans le texte de sorte qu'ils constituent, pour tout ou partie de leur contenu, des exigences du présent document. Pour les références datées, seule l'édition citée s'applique. Pour les références non datées, la dernière édition du document de référence s'applique (y compris les éventuels amendements).

IEC 62264-1, *Intégration des systèmes entreprise-contrôle – Partie 1: Modèles et terminologie*

IEC 62264-2, *Intégration des systèmes entreprise-contrôle – Partie 2: Objets et attributs pour l'intégration des systèmes de commande d'entreprise*

IEC 62264-4, *Intégration des systèmes entreprise-contrôle – Partie 4: Attributs des modèles d'objets pour l'intégration de la gestion des opérations de fabrication*

IEC 62264-5, *Intégration des systèmes entreprise-contrôle – Partie 5: Transactions entre systèmes de gestion de commande d'entreprise et systèmes de fabrication*