

# INTERNATIONAL STANDARD

# NORME INTERNATIONALE



---

**Engineering data exchange format for use in industrial automation systems  
engineering – Automation markup language –  
Part 1: Architecture and general requirements**

**Format d'échange de données techniques pour une utilisation dans l'ingénierie  
des systèmes d'automatisation industrielle – Automation markup language –  
Partie 1: Architecture et exigences générales**

INTERNATIONAL  
ELECTROTECHNICAL  
COMMISSION

COMMISSION  
ELECTROTECHNIQUE  
INTERNATIONALE

---

ICS 25.040.40; 35.060; 35.240.50

ISBN 978-2-8322-5521-6

**Warning! Make sure that you obtained this publication from an authorized distributor.  
Attention! Veuillez vous assurer que vous avez obtenu cette publication via un distributeur agréé.**

## CONTENTS

FOREWORD.....	7
INTRODUCTION.....	9
1 Scope.....	11
2 Normative references .....	11
3 Terms, definitions and abbreviations .....	12
3.1 Terms and definitions.....	12
3.2 Abbreviations .....	14
4 Conformity.....	15
5 AML architecture specification .....	15
5.1 General.....	15
5.2 General AML architecture .....	15
5.3 Sub document versions and AML superior document information .....	16
5.4 Meta information about the AML source tool .....	17
5.5 AML relations specification .....	18
5.5.1 General .....	18
5.5.2 Class-instance-relations .....	18
5.5.3 Instance-instance-relations.....	18
5.5.4 Identification of objects.....	20
5.6 AML document reference specification.....	20
5.6.1 General .....	20
5.6.2 Referencing COLLADA documents .....	20
5.6.3 Referencing PLCopen XML documents.....	20
5.6.4 Referencing additional documents in the scope of IEC 62714 (all parts) .....	20
5.6.5 Referencing documents outside of the scope of IEC 62714 (all parts).....	20
5.6.6 Referencing CAEX attributes to items in external documents .....	21
6 AML base libraries.....	21
6.1 General.....	21
6.2 General provisions .....	21
6.3 AML interface class library – AutomationMLInterfaceClassLib.....	22
6.3.1 General .....	22
6.3.2 InterfaceClass AutomationMLBaseInterface.....	24
6.3.3 InterfaceClass Order .....	24
6.3.4 InterfaceClass Port.....	25
6.3.5 InterfaceClass PPRConnector .....	25
6.3.6 InterfaceClass ExternalDataConnector .....	26
6.3.7 InterfaceClass COLLADAInterface .....	26
6.3.8 InterfaceClass PLCopenXMLInterface .....	27
6.3.9 InterfaceClass ExternalDataReference .....	27
6.3.10 InterfaceClass Communication .....	27
6.3.11 InterfaceClass SignalInterface .....	28
6.4 AML basic role class library – AutomationMLBaseRoleClassLib.....	28
6.4.1 General .....	28
6.4.2 RoleClass AutomationMLBaseRole.....	30
6.4.3 RoleClass Group .....	31
6.4.4 RoleClass Facet .....	31
6.4.5 RoleClass Resource .....	31

6.4.6	RoleClass Product .....	32
6.4.7	RoleClass Process .....	32
6.4.8	RoleClass Structure .....	33
6.4.9	RoleClass ProductStructure .....	33
6.4.10	RoleClass ProcessStructure .....	34
6.4.11	RoleClass ResourceStructure .....	34
6.4.12	RoleClass ExternalData .....	34
6.5	AML basic attribute type library .....	35
6.5.1	General .....	35
6.5.2	Attributes of the AutomationMLBaseAttributeTypeLib .....	36
7	Modelling of user-defined data .....	39
7.1	General .....	39
7.2	User-defined attributes .....	39
7.3	User-defined AttributeTypes .....	39
7.4	User-defined InterfaceClasses .....	40
7.5	User-defined RoleClasses .....	41
7.6	User-defined SystemUnitClasses .....	42
7.7	User-defined InstanceHierarchies .....	43
8	Extended AML concepts .....	44
8.1	General overview .....	44
8.2	AML Port interface .....	44
8.3	AML Facet object .....	44
8.4	AML Group object .....	45
8.5	Splitting of AML top-level data into different documents .....	45
8.6	Internationalization, AML multilingual expression .....	45
8.7	Version information of AML objects .....	46
8.8	Modelling of structured attribute lists or arrays .....	46
8.9	AML Container .....	46
Annex A (informative)	General introduction into the Automation Markup Language .....	48
A.1	General Automation Markup Language concepts .....	48
A.1.1	The Automation Markup Language architecture .....	48
A.1.2	Modelling of plant topology information .....	49
A.1.3	Referencing geometry and kinematics information .....	51
A.1.4	Referencing logic information .....	51
A.1.5	Referencing documents outside of the scope of IEC 62714 .....	52
A.1.6	Interlinking CAEX attributes and attributes in external documents .....	53
A.1.7	Modelling of relations .....	54
A.2	Extended AML concepts and examples .....	57
A.2.1	General overview .....	57
A.2.2	AML Port concept .....	57
A.2.3	AML Facet concept .....	60
A.2.4	AML Group concept .....	62
A.2.5	Process-Product-Resource concept .....	66
A.2.6	AML multilingual expression concept .....	74
A.2.7	Attribute lists and arrays .....	75
Annex B (informative)	XML representation of standard AML base libraries .....	79
Bibliography	.....	81

Figure 1 – Overview of the engineering data exchange format AML .....	9
Figure 2 – AML document version information .....	17
Figure 3 – XML text of the AML source tool information .....	17
Figure 4 – Example of a relation as block diagram and as object tree .....	19
Figure 5 – Example relation between the objects “PLC1” and “Rob1” .....	19
Figure 6 – XML text of the example relation between the objects “PLC1” and “Rob1” .....	19
Figure 7 – AML basic interface class library .....	23
Figure 8 – XML description of the AML basic interface class library .....	24
Figure 9 – AML basic role class library .....	29
Figure 10 – AutomationMLBaseRoleClassLib .....	30
Figure 11 – XML text of the AutomationMLBaseRoleClassLib .....	30
Figure 12 – AML basic attribute type library .....	35
Figure 13 – XML text of the AutomationMLBaseAttributeTypeLib .....	36
Figure 14 – Example of a user-defined attribute .....	39
Figure 15 – Examples for user-defined AttributeTypes .....	40
Figure 16 – XML code of the examples for user-defined AttributeTypes .....	40
Figure 17 – Example of a user-defined InterfaceClass in a user-defined InterfaceClassLib .....	41
Figure 18 – XML code of the example of a user-defined InterfaceClass in a user- defined InterfaceClassLib .....	41
Figure 19 – Example of a user-defined RoleClass in a user-defined RoleClassLib .....	42
Figure 20 – XML code of the example of a user-defined RoleClass in a user-defined RoleClassLib .....	42
Figure 21 – Examples for different user-defined SystemUnitClasses .....	42
Figure 22 – XML code of the examples for different user-defined SystemUnitClasses .....	43
Figure 23 – Example of a user-defined InstanceHierarchy .....	43
Figure 24 – AML representation of a user-defined InstanceHierarchy .....	44
Figure A.1 – AML general architecture .....	48
Figure A.2 – Plant topology with AML .....	50
Figure A.3 – Reference from CAEX to a COLLADA document .....	51
Figure A.4 – Reference from a CAEX to a PLCopen XML document .....	51
Figure A.5 – Example of referencing an external document .....	52
Figure A.6 – XML text of the example for referencing an external document .....	52
Figure A.7 – Example of referencing a CAEX attribute to an item in an external document .....	53
Figure A.8 – XML text of the example for referencing a CAEX attribute to an item in an external document .....	54
Figure A.9 – Relations in AML .....	55
Figure A.10 – XML description of the relations example .....	56
Figure A.11 – XML text of the SystemUnitClassLib of the relations example .....	56
Figure A.12 – XML text of the InstanceHierarchy of the relations example .....	57
Figure A.13 – Port concept .....	58
Figure A.14 – Example describing the AML Port concept .....	58
Figure A.15 – XML description of the AML Port concept .....	59
Figure A.16 – XML text describing the AML Port concept .....	60

Figure A.17 – Definition of a user-defined AML Port class “UserDefinedPort” .....	60
Figure A.18 – AML Facet example .....	61
Figure A.19 – XML text of the AML Facet example .....	62
Figure A.20 – AML Group example .....	63
Figure A.21 – XML text for the AML Group example .....	63
Figure A.22 – Combination of the Facet and Group concept .....	64
Figure A.23 – XML text view for the combined Facet-Group example .....	65
Figure A.24 – Generic HMI template “B” visualizing a process variable “Y” of a conveyor .....	66
Figure A.25 – Generated HMI result “B” visualizing both conveyors with individual process variables .....	66
Figure A.26 – Base elements of the Product-Process-Resource concept .....	67
Figure A.27 – PPRConnector interface .....	67
Figure A.28 – Example for the Product-Process-Resource concept .....	68
Figure A.29 – AML roles required for the Process-Product-Resource concept .....	68
Figure A.30 – Elements of the example .....	69
Figure A.31 – Links within the example .....	69
Figure A.32 – Links of the resource centric view on the example .....	70
Figure A.33 – InstanceHierarchy of the example in AML .....	71
Figure A.34 – InternalElements of the example .....	72
Figure A.35 – InternalLinks of the example .....	72
Figure A.36 – InstanceHierarchy of the example in XML .....	73
Figure A.37 – Example describing the AML multilingual expression concept .....	74
Figure A.38 – XML description of the AML multilingual expression concept .....	74
Figure A.39 – XML text describing the AML multilingual expression concept .....	74
Figure A.40 – AML model of a multilingual AttributeType .....	75
Figure A.41 – XML code of the a multilingual AttributeType .....	75
Figure A.42 – Attribute list “SupportedFrequencies” .....	76
Figure A.43 – XML code for the attribute list “SupportedFrequencies” .....	76
Figure A.44 – Example CAEX model of the array “Edges” .....	77
Figure A.45 – XML code for the attribute array “Edges” .....	78
Figure B.1 – XML text of the standard AML interface class library, role class library and attribute type library .....	80
Table 1 – Abbreviations .....	15
Table 2 – Interface classes of the AutomationMLInterfaceClassLib .....	22
Table 3 – InterfaceClass AutomationMLBaseInterface .....	24
Table 4 – InterfaceClass Order .....	25
Table 5 – Optional attributes for AML Port interfaces .....	25
Table 6 – InterfaceClass PPRConnector .....	26
Table 7 – InterfaceClass ExternalDataConnector .....	26
Table 8 – InterfaceClass COLLADAInterface .....	26
Table 9 – InterfaceClass PLCopenXMLInterface .....	27
Table 10 – InterfaceClass ExternalDataReference .....	27

Table 11 – InterfaceClass Communication .....	28
Table 12 – InterfaceClass SignalInterface .....	28
Table 13 – RoleClass AutomationMLBaseRole .....	31
Table 14 – RoleClass Group .....	31
Table 15 – RoleClass Facet .....	31
Table 16 – RoleClass Resource .....	32
Table 17 – RoleClass Product .....	32
Table 18 – RoleClass Process .....	33
Table 19 – RoleClass Structure .....	33
Table 20 – RoleClass ProductStructure .....	33
Table 21 – RoleClass ProcessStructure .....	34
Table 22 – RoleClass ResourceStructure .....	34
Table 23 – RoleClass ExternalData .....	34
Table 24 – Attribute Types of the AutomationMLBaseAttributeTypeLib .....	36
Table 25 – Sub-attributes of the attribute “Cardinality” .....	38
Table 26 – Sub-attributes of the attribute “AssociatedValue” .....	38
Table A.1 – Overview of major extended AML concepts .....	57

## INTERNATIONAL ELECTROTECHNICAL COMMISSION

---

**ENGINEERING DATA EXCHANGE FORMAT FOR USE IN  
INDUSTRIAL AUTOMATION SYSTEMS ENGINEERING –  
AUTOMATION MARKUP LANGUAGE –****Part 1: Architecture and general requirements**

## FOREWORD

- 1) The International Electrotechnical Commission (IEC) is a worldwide organization for standardization comprising all national electrotechnical committees (IEC National Committees). The object of IEC is to promote international co-operation on all questions concerning standardization in the electrical and electronic fields. To this end and in addition to other activities, IEC publishes International Standards, Technical Specifications, Technical Reports, Publicly Available Specifications (PAS) and Guides (hereafter referred to as "IEC Publication(s)"). Their preparation is entrusted to technical committees; any IEC National Committee interested in the subject dealt with may participate in this preparatory work. International, governmental and non-governmental organizations liaising with the IEC also participate in this preparation. IEC collaborates closely with the International Organization for Standardization (ISO) in accordance with conditions determined by agreement between the two organizations.
- 2) The formal decisions or agreements of IEC on technical matters express, as nearly as possible, an international consensus of opinion on the relevant subjects since each technical committee has representation from all interested IEC National Committees.
- 3) IEC Publications have the form of recommendations for international use and are accepted by IEC National Committees in that sense. While all reasonable efforts are made to ensure that the technical content of IEC Publications is accurate, IEC cannot be held responsible for the way in which they are used or for any misinterpretation by any end user.
- 4) In order to promote international uniformity, IEC National Committees undertake to apply IEC Publications transparently to the maximum extent possible in their national and regional publications. Any divergence between any IEC Publication and the corresponding national or regional publication shall be clearly indicated in the latter.
- 5) IEC itself does not provide any attestation of conformity. Independent certification bodies provide conformity assessment services and, in some areas, access to IEC marks of conformity. IEC is not responsible for any services carried out by independent certification bodies.
- 6) All users should ensure that they have the latest edition of this publication.
- 7) No liability shall attach to IEC or its directors, employees, servants or agents including individual experts and members of its technical committees and IEC National Committees for any personal injury, property damage or other damage of any nature whatsoever, whether direct or indirect, or for costs (including legal fees) and expenses arising out of the publication, use of, or reliance upon, this IEC Publication or any other IEC Publications.
- 8) Attention is drawn to the Normative references cited in this publication. Use of the referenced publications is indispensable for the correct application of this publication.
- 9) Attention is drawn to the possibility that some of the elements of this IEC Publication may be the subject of patent rights. IEC shall not be held responsible for identifying any or all such patent rights.

International Standard IEC 62714-1 has been prepared by subcommittee 65E: Devices and integration in enterprise systems, of IEC technical committee 65: Industrial-process measurement, control and automation.

This second edition cancels and replaces the first edition published in 2014. This edition constitutes a technical revision.

This edition includes the following significant technical changes with respect to the previous edition:

- a) use of CAEX 3.0 according to IEC 62424:2016 which provides technical improvements as attribute libraries, nested interfaces, new fields for indicating the source of an object, a refinement of the mirror concept and native support of multiple roles, native meta information about the CAEX file source tool, identification of instances via unique IDs instead of paths, etc.,

- b) improved modelling of references to documents outside of the scope of the present standard,
- c) modelling of references between CAEX attributes and items in external documents, e.g. within an Excel sheet,
- d) revised role libraries,
- e) modified Port concept,
- f) modelling of multilingual expressions,
- g) modelling of structured attribute lists or array,
- h) a new AML container format,
- i) a new standard AML attribute library.

The text of this International Standard is based on the following documents:

FDIS	Report on voting
65E/582/FDIS	65E/586/RVD

Full information on the voting for the approval of this International Standard can be found in the report on voting indicated in the above table.

This document has been drafted in accordance with the ISO/IEC Directives, Part 2.

A list of all parts in the IEC 62714 series, published under the general title *Engineering data exchange format for use in industrial automation systems engineering – Automation markup language*, can be found on the IEC website.

The committee has decided that the contents of this document will remain unchanged until the stability date indicated on the IEC website under "<http://webstore.iec.ch>" in the data related to the specific document. At this date, the document will be

- reconfirmed,
- withdrawn,
- replaced by a revised edition, or
- amended.

**IMPORTANT – The 'colour inside' logo on the cover page of this publication indicates that it contains colours which are considered to be useful for the correct understanding of its contents. Users should therefore print this document using a colour printer.**



## INTRODUCTION

IEC 62714 is a solution for data exchange focusing on the domain of automation engineering.

The data exchange format defined in the IEC 62714 series (Automation Markup Language, AML) is an XML schema based data format for plant engineering data. AML has been developed in order to support the data exchange in a heterogeneous engineering tools landscape. The goal of AML is to interconnect engineering tools in their different disciplines, e.g. mechanical plant engineering, electrical design, process engineering, process control engineering, HMI development, PLC programming, robot programming, etc. The application of IEC 62714 is industry independent. It is applicable in all industries that require data exchange in their engineering tool chain, e.g. in discrete industry or process industry.

AML stores engineering information following the object-oriented paradigm and allows modelling of physical and logical plant components as data objects encapsulating different aspects. An object may consist of other sub-objects, and can itself be part of a larger composition or aggregation. Typical objects in plant automation comprise information on topology, geometry, kinematics and logic, whereas logic comprises sequencing, behaviour and control. Therefore, an important focus in the data exchange in engineering is the exchange of object oriented data structures, geometry, kinematics and logic.

AML combines existing industry data formats that are designed for the storage and exchange of different aspects of engineering information. These data formats are used on an “as-is” basis within their own specifications and are not branched for AML needs.

The core of AML is the top-level data format CAEX. CAEX is utilized to interconnect the different data formats. Therefore, AML has an inherent distributed document architecture.

Figure 1 illustrates the basic AML architecture and the distribution of topology, geometry, kinematics and logic information.

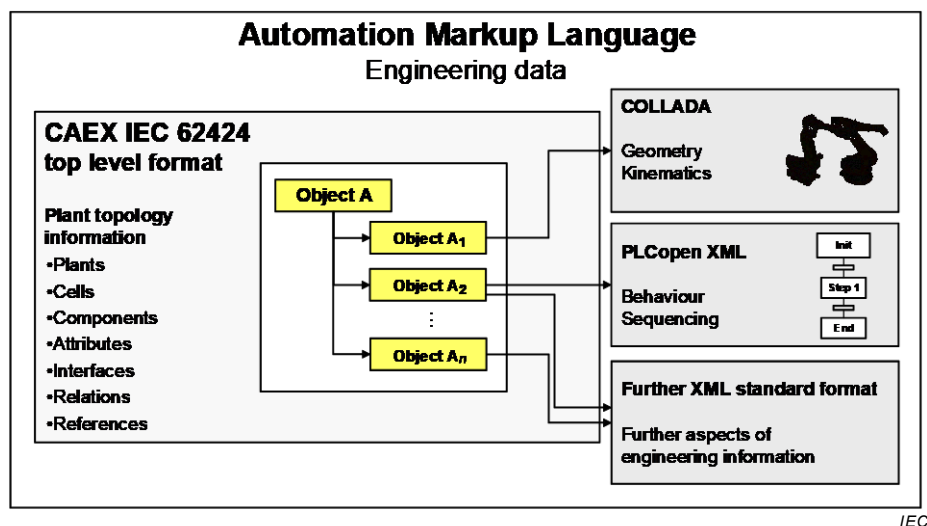


Figure 1 – Overview of the engineering data exchange format AML

Due to the different aspects of AML, the IEC 62714 series consists of different parts focusing on different aspects:

- IEC 62714-1: Architecture and general requirements

This part specifies the general AML architecture, the modelling of engineering data, classes, instances, relations, references, hierarchies, basic AML libraries and extended AML concepts. It is the basis of all future parts, and it provides mechanisms to reference other subformats.

- IEC 62714-2: Role class libraries  
This part specifies additional AML libraries.
- IEC 62714-3: Geometry and kinematics  
This part specifies the modelling of geometry and kinematics information.
- IEC 62714-4<sup>1</sup>: Logic  
This part specifies the modelling of logics, sequencing, behaviour and control related information.

Further parts will be added in the future in order to interconnect further data standards to AML.

As long as no further parts describe the integration of further standards, it is important to focus on a limited set of sub data formats. Otherwise, it would open up the usage of any data format and data exchange would not work.

Clause 1 defines the scope for IEC 62714.

Clause 2 provides normative references.

Clause 3 provides terms, definitions and abbreviations.

Clause 4 defines the conformity to IEC 62714.

Clause 5 describes general architecture specifications for IEC 62714.

Clause 6 defines the basic AML libraries.

Clause 7 describes how to model user-defined data.

Clause 8 describes extended AML concepts.

Annex A gives an informative introduction, use cases and examples regarding AML.

Annex B gives an informative XML representation of the libraries defined in this part of IEC 62714.

---

<sup>1</sup> Under consideration.

# ENGINEERING DATA EXCHANGE FORMAT FOR USE IN INDUSTRIAL AUTOMATION SYSTEMS ENGINEERING – AUTOMATION MARKUP LANGUAGE –

## Part 1: Architecture and general requirements

### 1 Scope

This part of IEC 62714 specifies general requirements and the architecture of automation markup language (AML) for the modelling of engineering information, which is exchanged between engineering tools for industrial automation and control systems. Its provisions apply to the export/import applications of related tools.

This part of IEC 62714 does not define details of the data exchange procedure or implementation requirements for the import/export tools.

### 2 Normative references

The following documents are referred to in the text in such a way that some or all of their content constitutes requirements of this document. For dated references, only the edition cited applies. For undated references, the latest edition of the referenced document (including any amendments) applies.

IEC 62424:2016, *Representation of process control engineering – Requests in P&I diagrams and data exchange between P&ID tools and PCE-CAE tools*

IEC 62714 (all parts), *Engineering data exchange format for use in industrial automation systems engineering – Automation markup language*

ISO/PAS 17506, *Industrial automation systems and integration – COLLADA digital asset schema specification for 3D visualization of industrial data*

ISO/IEC 29500-2, *Information technology – Document description and processing languages – Office Open XML File Formats – Part 2: Open Packaging Conventions*

IETF RFC 2046, *Multipurpose Internet Mail Extensions (MIME) Part Two: Media Types* [viewed 2017-11-13]. Available at <<http://www.ietf.org>>

IETF RFC 4122, *A Universally Unique Identifier (UUID) URN Namespace* [viewed 2017-11-13]. Available at <<http://www.ietf.org>>

IETF RFC 5646, *Tags for Identifying Languages* [viewed 2017-11-13]. Available at <<http://www.ietf.org>>

COLLADA 1.4.1:March 2008, *COLLADA – Digital Asset Schema Release 1.4.1* [viewed 2017-11-13]. Available at <[http://www.khronos.org/files/collada\\_spec\\_1\\_4.pdf](http://www.khronos.org/files/collada_spec_1_4.pdf)>

PLCopen XML 2.0:December 3rd 2008 and PLCopen XML 2.0.1:May 8th 2009, *XML formats for IEC 61131-3* [viewed 2017-11-13]. Available at <<http://www.plcopen.org>>

## SOMMAIRE

AVANT-PROPOS .....	87
INTRODUCTION .....	89
1 Domaine d'application .....	92
2 Références normatives .....	92
3 Termes, définitions et abréviations .....	93
3.1 Termes et définitions .....	93
3.2 Abréviations .....	96
4 Conformité.....	96
5 Spécification de l'architecture AML .....	96
5.1 Généralités .....	96
5.2 Architecture AML générale.....	96
5.3 Versions de sous-documents et informations concernant le document AML supérieur .....	98
5.4 Méta-informations concernant l'outil source AML .....	99
5.5 Spécification des relations AML .....	99
5.5.1 Généralités .....	99
5.5.2 Relations classe-instance .....	99
5.5.3 Relations entre instances .....	100
5.5.4 Identification des objets .....	101
5.6 Spécification de référence de document AML.....	101
5.6.1 Généralités .....	101
5.6.2 Référencement de documents COLLADA .....	102
5.6.3 Référencement de documents XML PLCopen .....	102
5.6.4 Référencement de documents supplémentaires dans le domaine d'application de l'IEC 62714 (toutes les parties).....	102
5.6.5 Référencement de documents ne relevant pas du domaine d'application de l'IEC 62714 (toutes les parties).....	102
5.6.6 Référencement des attributs CAEX avec des éléments dans les documents externes .....	103
6 Bibliothèques de type AML .....	103
6.1 Généralités .....	103
6.2 Dispositions générales.....	103
6.3 Bibliothèque de classes d'interface AML – AutomationMLInterfaceClassLib .....	103
6.3.1 Généralités .....	103
6.3.2 Bibliothèque InterfaceClass AutomationMLBaseInterface .....	106
6.3.3 InterfaceClass Order .....	106
6.3.4 InterfaceClass Port .....	107
6.3.5 InterfaceClass PPRConnector .....	107
6.3.6 InterfaceClass ExternalDataConnector .....	108
6.3.7 InterfaceClass COLLADAInterface .....	108
6.3.8 InterfaceClass PLCopenXMLInterface .....	109
6.3.9 InterfaceClass ExternalDataReference .....	109
6.3.10 InterfaceClass Communication .....	109
6.3.11 InterfaceClass SignalInterface .....	110
6.4 Bibliothèque de classes de rôles de type AML – AutomationMLBaseRoleClassLib .....	110
6.4.1 Généralités .....	110

6.4.2	RoleClass AutomationMLBaseRole .....	112
6.4.3	RoleClass Group .....	113
6.4.4	RoleClass Facet .....	113
6.4.5	RoleClass Resource .....	114
6.4.6	RoleClass Product .....	114
6.4.7	RoleClass Process .....	114
6.4.8	RoleClass Structure .....	115
6.4.9	RoleClass ProductStructure .....	115
6.4.10	RoleClass ProcessStructure .....	116
6.4.11	RoleClass ResourceStructure .....	116
6.4.12	RoleClass ExternalData .....	116
6.5	Bibliothèque de types d'attributs de base AML .....	117
6.5.1	Généralités .....	117
6.5.2	Attributs de AutomationMLBaseAttributeTypeLib .....	119
7	Modélisation des données définies par l'utilisateur .....	122
7.1	Généralités .....	122
7.2	Attributs définis par l'utilisateur .....	122
7.3	AttributeTypes définis par l'utilisateur .....	122
7.4	InterfaceClasses définies par l'utilisateur .....	123
7.5	RoleClasses définies par l'utilisateur .....	124
7.6	SystemUnitClasses définies par l'utilisateur .....	125
7.7	InstanceHierarchies définies par l'utilisateur .....	126
8	Concepts AML étendus .....	127
8.1	Vue d'ensemble générale .....	127
8.2	Interface AML Port .....	127
8.3	Objet Facet AML .....	127
8.4	Objet Group AML .....	128
8.5	Répartition des données centrales AML en différents documents .....	129
8.6	Internationalisation, expression AML multilingue .....	129
8.7	Informations de version des objets AML .....	129
8.8	Modélisation des listes ou tableaux d'attributs structurés .....	129
8.9	Conteneur AML .....	130
Annexe A (informative) Introduction générale au langage Automation Markup Language .....		132
A.1	Concepts généraux relatifs au langage Automation Markup Language .....	132
A.1.1	Architecture Automation Markup Language .....	132
A.1.2	Modélisation des informations concernant la topologie de l'installation .....	134
A.1.3	Référencement des informations concernant la géométrie et la cinématique .....	136
A.1.4	Référencement des informations concernant la logique .....	136
A.1.5	Référencement de documents ne relevant pas du domaine d'application de l'IEC 62714 .....	137
A.1.6	Association d'attributs CAEX et d'attributs de documents externes .....	138
A.1.7	Modélisation des relations .....	140
A.2	Concepts et exemples AML étendus .....	143
A.2.1	Vue d'ensemble générale .....	143
A.2.2	Concept AML Port .....	143
A.2.3	Concept AML Facet .....	147
A.2.4	Concept AML Group .....	149

A.2.5	Concept Process-Product-Resource (Processus-Produit-Ressource).....	153
A.2.6	Concept d'expressions multilingues AML .....	163
A.2.7	Listes et tableaux d'attributs .....	164
Annexe B (informative)	Représentation XML des bibliothèques de base AML normalisées .....	168
	Bibliographie.....	170
Figure 1	– Vue d'ensemble du format d'échange de données techniques (AML) .....	90
Figure 2	– Informations concernant les versions de documents AML.....	98
Figure 3	– Texte XML des informations de l'outil source AML .....	99
Figure 4	– Exemple de relation en tant que schéma de principe et en tant qu'arborescence d'objet .....	100
Figure 5	– Exemple de relation entre les objets "PLC1" et "Rob1".....	101
Figure 6	– Texte XML de l'exemple de relation entre les objets "PLC1" et "Rob1" .....	101
Figure 7	– Bibliothèque de classes d'interfaces de type AML .....	105
Figure 8	– Description XML de la bibliothèque de classes d'interfaces de type AML .....	106
Figure 9	– Bibliothèque de classes de rôles de type AML.....	111
Figure 10	– AutomationMLBaseRoleClassLib.....	112
Figure 11	– Texte XML de l'AutomationMLBaseRoleClassLib.....	112
Figure 12	– Bibliothèque de types d'attributs de base AML .....	118
Figure 13	– Texte XML d'AutomationMLBaseAttributeTypeLib .....	119
Figure 14	– Exemple d'attribut défini par l'utilisateur .....	122
Figure 15	– Exemples d'AttributeTypes définis par l'utilisateur .....	123
Figure 16	– Code XML des exemples d'AttributeTypes définis par l'utilisateur.....	123
Figure 17	– Exemple d'InterfaceClass définie par l'utilisateur dans une bibliothèque InterfaceClassLib définie par l'utilisateur .....	124
Figure 18	– Code XML de l'exemple d'InterfaceClass définie par l'utilisateur dans une bibliothèque InterfaceClassLib définie par l'utilisateur .....	124
Figure 19	– Exemple de RoleClass définie par l'utilisateur dans une bibliothèque RoleClassLib définie par l'utilisateur .....	125
Figure 20	– Code XML de l'exemple de RoleClass définie par l'utilisateur dans une bibliothèque RoleClassLib définie par l'utilisateur .....	125
Figure 21	– Exemples de différentes SystemUnitClasses définies par l'utilisateur .....	126
Figure 22	– Code XML des exemples de différentes SystemUnitClasses définies par l'utilisateur .....	126
Figure 23	– Exemple d'InstanceHierarchy définie par l'utilisateur .....	127
Figure 24	– Représentation AML d'une InstanceHierarchy définie par l'utilisateur .....	127
Figure A.1	– Architecture générale AML.....	133
Figure A.2	– Topologie de l'installation avec AML .....	135
Figure A.3	– Référence entre le document CAEX et un document COLLADA.....	136
Figure A.4	– Référence entre le format CAEX et un document XML PLCopen.....	137
Figure A.5	– Exemple de référencement d'un document externe .....	138
Figure A.6	– Texte XML de l'exemple de référencement d'un document externe .....	138
Figure A.7	– Exemple de référencement d'un attribut CAEX à un élément d'un document externe .....	139

Figure A.8 – Texte XML de l'exemple de référencement d'un attribut CAEX à un élément d'un document externe .....	140
Figure A.9 – Relations dans AML .....	141
Figure A.10 – Description XML de l'exemple des relations .....	142
Figure A.11 – Texte XML de la bibliothèque SystemUnitClassLib de l'exemple des relations .....	142
Figure A.12 – Texte XML de l'InstanceHierarchy de l'exemple des relations .....	143
Figure A.13 – Concept Port .....	144
Figure A.14 – Exemple de description du concept AML Port .....	144
Figure A.15 – Description XML du concept AML Port .....	146
Figure A.16 – Texte XML de description du concept AML Port .....	147
Figure A.17 – Définition d'une classe AML Port définie par l'utilisateur "UserDefinedPort" .....	147
Figure A.18 – Exemple d'AML Facet .....	148
Figure A.19 – Texte XML de l'exemple d'AML Facet .....	149
Figure A.20 – Exemple d'AML Group .....	150
Figure A.21 – Texte XML de l'exemple d'AML Group .....	150
Figure A.22 – Combinaison des concepts Facet et Group .....	151
Figure A.23 – Vue de texte XML de l'exemple combiné des concepts Facet et Group .....	152
Figure A.24 – Modèle d'IHM générique "B" visualisant une variable de processus "Y" d'un transporteur .....	153
Figure A.25 – Résultat généré "B" de l'IHM visualisant les deux transporteurs avec des variables de processus individuelles .....	153
Figure A.26 – Éléments de base du concept Process-Product-Resource .....	154
Figure A.27 – Interface PPRConnector .....	155
Figure A.28 – Exemple de concept Process-Product-Resource .....	156
Figure A.29 – Rôles AML exigés pour le concept Process-Product-Resource .....	156
Figure A.30 – Éléments de l'exemple .....	157
Figure A.31 – Liaisons de l'exemple .....	158
Figure A.32 – Liaisons de la perspective centrée sur les ressources dans l'exemple .....	159
Figure A.33 – InstanceHierarchy de l'exemple en langage AML .....	160
Figure A.34 – InternalElements de l'exemple .....	161
Figure A.35 – InternalLinks de l'exemple .....	161
Figure A.36 – InstanceHierarchy de l'exemple en langage XML .....	162
Figure A.37 – Exemple décrivant le concept d'expression multilingue AML .....	163
Figure A.38 – Description XML du concept d'expression multilingue AML .....	163
Figure A.39 – Texte XML décrivant le concept d'expression multilingue AML .....	164
Figure A.40 – Modèle AML de l'AttributeType multilingue .....	164
Figure A.41 – Code XML d'un AttributeType multilingue .....	164
Figure A.42 – Liste d'attributs "SupportedFrequencies" .....	165
Figure A.43 – Code XML pour la liste d'attributs "SupportedFrequencies" .....	166
Figure A.44 – Exemple de modèle CAEX de tableau "Edges" .....	166
Figure A.45 – Code XML pour le tableau d'attributs "Edges" .....	167
Figure B.1 – Texte XML de la bibliothèque de classes d'interfaces AML normalisées, de la bibliothèque de classes de rôles et de la bibliothèque de types d'attributs .....	169

Tableau 1 – Abréviations .....	96
Tableau 2 – Classes d'interfaces de la bibliothèque AutomationMLInterfaceClassLib .....	104
Tableau 3 – Bibliothèque InterfaceClass AutomationMLBaseInterface .....	106
Tableau 4 – InterfaceClass Order .....	107
Tableau 5 – Attributs facultatifs des interfaces Port AML .....	107
Tableau 6 – InterfaceClass PPRConnector .....	108
Tableau 7 – InterfaceClass ExternalDataConnector .....	108
Tableau 8 – InterfaceClass COLLADAInterface .....	108
Tableau 9 – InterfaceClass PLCopenXMLInterface .....	109
Tableau 10 – InterfaceClass ExternalDataReference .....	109
Tableau 11 – InterfaceClass Communication .....	110
Tableau 12 – InterfaceClass SignalInterface .....	110
Tableau 13 – RoleClass AutomationMLBaseRole .....	113
Tableau 14 – RoleClass Group .....	113
Tableau 15 – RoleClass Facet .....	113
Tableau 16 – RoleClass Resource .....	114
Tableau 17 – RoleClass Product .....	114
Tableau 18 – RoleClass Process .....	115
Tableau 19 – RoleClass Structure .....	115
Tableau 20 – RoleClass ProductStructure .....	116
Tableau 21 – RoleClass ProcessStructure .....	116
Tableau 22 – RoleClass ResourceStructure .....	116
Tableau 23 – RoleClass ExternalData .....	117
Tableau 24 – Type d'attributs d'AutomationMLBaseAttributeTypeLib .....	119
Tableau 25 – Sous-attribut de l'attribut "Cardinality" .....	121
Tableau 26 – Sous-attribut de l'attribut "AssociatedValue" .....	121
Tableau A.1 – Vue d'ensemble des principaux concepts AML étendus .....	143



## COMMISSION ÉLECTROTECHNIQUE INTERNATIONALE

---

**FORMAT D'ÉCHANGE DE DONNÉES TECHNIQUES POUR  
UNE UTILISATION DANS L'INGÉNIERIE DES SYSTÈMES  
D'AUTOMATISATION INDUSTRIELLE – AUTOMATION  
MARKUP LANGUAGE –****Partie 1: Architecture et exigences générales****AVANT-PROPOS**

- 1) La Commission Électrotechnique Internationale (IEC) est une organisation mondiale de normalisation composée de l'ensemble des comités électrotechniques nationaux (Comités nationaux de l'IEC). L'IEC a pour objet de favoriser la coopération internationale pour toutes les questions de normalisation dans les domaines de l'électricité et de l'électronique. À cet effet, l'IEC – entre autres activités – publie des Normes internationales, des Spécifications techniques, des Rapports techniques, des Spécifications accessibles au public (PAS) et des Guides (ci-après dénommés "Publication(s) de l'IEC"). Leur élaboration est confiée à des comités d'études, aux travaux desquels tout Comité national intéressé par le sujet traité peut participer. Les organisations internationales, gouvernementales et non gouvernementales, en liaison avec l'IEC, participent également aux travaux. L'IEC collabore étroitement avec l'Organisation Internationale de Normalisation (ISO), selon des conditions fixées par accord entre les deux organisations.
- 2) Les décisions ou accords officiels de l'IEC concernant les questions techniques représentent, dans la mesure du possible, un accord international sur les sujets étudiés, étant donné que les Comités nationaux de l'IEC intéressés sont représentés dans chaque comité d'études.
- 3) Les Publications de l'IEC se présentent sous la forme de recommandations internationales et sont agréées comme telles par les Comités nationaux de l'IEC. Tous les efforts raisonnables sont entrepris afin que l'IEC s'assure de l'exactitude du contenu technique de ses publications; l'IEC ne peut pas être tenue responsable de l'éventuelle mauvaise utilisation ou interprétation qui en est faite par un quelconque utilisateur final.
- 4) Dans le but d'encourager l'uniformité internationale, les Comités nationaux de l'IEC s'engagent, dans toute la mesure possible, à appliquer de façon transparente les Publications de l'IEC dans leurs publications nationales et régionales. Toutes divergences entre toutes Publications de l'IEC et toutes publications nationales ou régionales correspondantes doivent être indiquées en termes clairs dans ces dernières.
- 5) L'IEC elle-même ne fournit aucune attestation de conformité. Des organismes de certification indépendants fournissent des services d'évaluation de conformité et, dans certains secteurs, accèdent aux marques de conformité de l'IEC. L'IEC n'est responsable d'aucun des services effectués par les organismes de certification indépendants.
- 6) Tous les utilisateurs doivent s'assurer qu'ils sont en possession de la dernière édition de cette publication.
- 7) Aucune responsabilité ne doit être imputée à l'IEC, à ses administrateurs, employés, auxiliaires ou mandataires, y compris ses experts particuliers et les membres de ses comités d'études et des Comités nationaux de l'IEC, pour tout préjudice causé en cas de dommages corporels et matériels, ou de tout autre dommage de quelque nature que ce soit, directe ou indirecte, ou pour supporter les coûts (y compris les frais de justice) et les dépenses découlant de la publication ou de l'utilisation de cette Publication de l'IEC ou de toute autre Publication de l'IEC, ou au crédit qui lui est accordé.
- 8) L'attention est attirée sur les références normatives citées dans cette publication. L'utilisation de publications référencées est obligatoire pour une application correcte de la présente publication.
- 9) L'attention est attirée sur le fait que certains des éléments de la présente Publication de l'IEC peuvent faire l'objet de droits de brevet. L'IEC ne saurait être tenue pour responsable de ne pas avoir identifié de tels droits de brevets et de ne pas avoir signalé leur existence.

La Norme internationale IEC 62714-1 a été établie par le sous-comité 65E: Les dispositifs et leur intégration dans les systèmes de l'entreprise, du comité d'études 65 de l'IEC: Mesure, commande et automation dans les processus industriels.

Cette deuxième édition annule et remplace la première édition parue en 2014. Cette édition constitue une révision technique.

Cette édition inclut les modifications techniques majeures suivantes par rapport à l'édition précédente:

- a) utilisation de CAEX 3.0 conformément à l'IEC 62424:2016 qui apporte des améliorations techniques, comme les bibliothèques d'attributs, les interfaces imbriquées, les nouveaux champs indiquant la source d'un objet, un affinement du concept de miroir et une prise en charge native de plusieurs rôles, des méta-informations natives relatives à l'outil de source de fichier CAEX, l'identification des instances par l'intermédiaire des ID uniques en lieu et place des chemins, etc.,
- b) modélisation améliorée des références aux documents ne relevant pas du domaine d'application de la présente norme,
- c) modélisation des références entre les attributs CAEX et les éléments dans des documents externes (dans une feuille Excel, par exemple),
- d) bibliothèques de rôles révisées,
- e) concept d'accès modifié,
- f) modélisation des expressions multilingues,
- g) modélisation de listes ou de tableaux d'attributs structuré(e)s,
- h) nouveau format de conteneur AML,
- i) nouvelle bibliothèque d'attributs AML normalisée.

Le texte de cette Norme internationale est issu des documents suivants:

FDIS	Rapport de vote
65E/582/FDIS	65E/586/RVD

Le rapport de vote indiqué dans le tableau ci-dessus donne toute information sur le vote ayant abouti à l'approbation de cette Norme internationale.

Ce document a été rédigé selon les Directives ISO/IEC, Partie 2.

Une liste de toutes les parties de la série IEC 62714, publiées sous le titre général *Format d'échange de données techniques pour une utilisation dans l'ingénierie des systèmes d'automatisation industrielle – Automation Markup Language*, peut être consultée sur le site web de l'IEC.

Le comité a décidé que le contenu de ce document ne sera pas modifié avant la date de stabilité indiquée sur le site web de l'IEC sous "<http://webstore.iec.ch>" dans les données relatives au document recherché. À cette date, le document sera

- reconduit,
- supprimé,
- remplacé par une édition révisée, ou
- amendé.

**IMPORTANT – Le logo "colour inside" qui se trouve sur la page de couverture de cette publication indique qu'elle contient des couleurs qui sont considérées comme utiles à une bonne compréhension de son contenu. Les utilisateurs devraient, par conséquent, imprimer cette publication en utilisant une imprimante couleur.**

## INTRODUCTION

L'IEC 62714 constitue une approche de l'échange de données qui cible le domaine de l'ingénierie de l'automatisation.

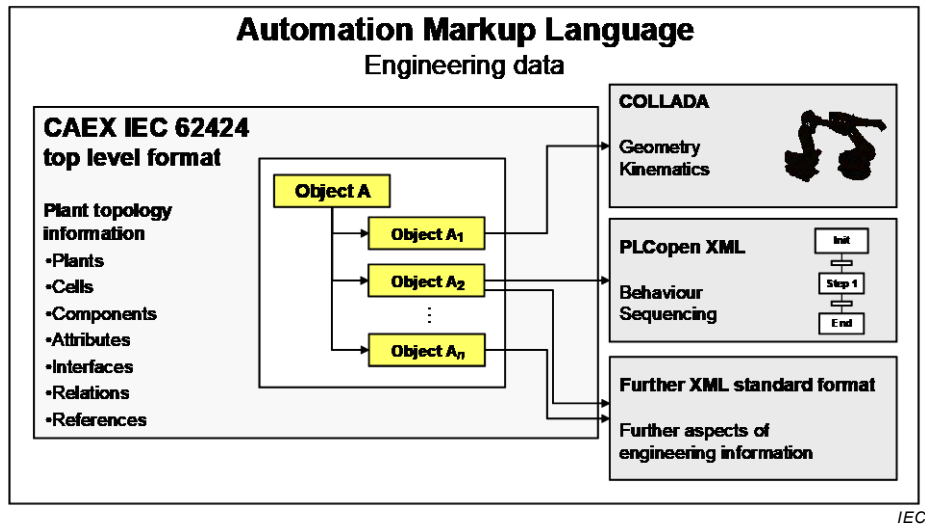
Le format d'échange de données défini dans la série IEC 62714 (Automation Markup Language, AML) est un format de données de type schéma XML pour les données d'ingénierie d'usine. L'AML a été mis au point afin de venir à l'appui de l'échange de données dans un environnement d'outils techniques hétérogène. L'objectif de l'AML est l'interconnexion des outils techniques dans leurs différentes disciplines, par exemple, ingénierie des installations mécaniques, études d'électricité, ingénierie de procédés, ingénierie de commande de processus, développement des IHM, programmation PLC, programmation de robots, etc. L'application de l'IEC 62714 dépend du secteur industriel. Elle s'applique à tous les secteurs industriels dont la chaîne d'outils techniques exige un échange de données (dans l'industrie d'assemblage ou l'industrie de transformation, par exemple).

L'AML archive les informations techniques en respectant le paradigme orienté objet et permet la modélisation des composants d'installations physiques et logiques sous forme d'objets de données qui englobent différents aspects. Un objet peut comporter d'autres sous-objets, et peut lui-même faire partie intégrante d'une composition ou d'une agrégation plus importante. Les objets typiques existant dans l'automatisation d'installations comprennent les informations concernant la topologie, la géométrie, la cinématique et la logique, tandis que la logique comprend pour sa part le séquençement, le comportement et la commande. Par conséquent, un objectif important de l'échange de données en ingénierie est l'échange de structures de données orientées objet, ainsi que la géométrie, la cinématique et la logique.

L'AML combine les formats de données industrielles existants, conçus pour l'archivage et l'échange de différents aspects des informations techniques. Ces formats de données sont utilisés "en l'état" dans le cadre de leurs propres spécifications et ne sont pas associés aux besoins du langage AML.

La caractéristique centrale de l'AML est le format de données central CAEX. CAEX permet d'interconnecter les différents formats de données. Le langage AML a par conséquent une architecture de document répartie intrinsèque.

La Figure 1 présente l'architecture AML de base et la répartition des informations concernant la topologie, la géométrie, la cinématique et la logique.



Anglais	Français
Engineering data	Données techniques
CAEX IEC 62424 top level format	Format central CAEX défini dans l'IEC 62424
Object	Objet
Plant topology information	Informations concernant la topologie de l'installation
Plants	Installations
Cells	Cellules
Components	Composants
Attributes	Attributs
Interfaces	Interfaces
References	Références
Geometry	Géométrie
Kinematics	Cinématique
Behaviour	Comportement
Sequencing	Séquencement
Init	Début
Step	Étape
End	Fin
Further XML standard format	Autre format standard XML
Further aspects of engineering information	Autres aspects des informations techniques

**Figure 1 – Vue d'ensemble du format d'échange de données techniques (AML)**

Du fait des différents aspects d'AML, la série IEC 62714 comporte différentes parties concentrées sur différents aspects:

- IEC 62714-1: Architecture et exigences générales  
 Cette partie spécifie l'architecture AML générale, et la modélisation des données techniques, classes, instances, relations, références, hiérarchies, bibliothèques AML de base et concepts AML étendus. Elle constitue la norme de référence de toutes les parties futures, et fournit des mécanismes de référencement d'autres sous-formats.
- IEC 62714-2: Bibliothèques de classe de rôles  
 Cette partie spécifie d'autres bibliothèques AML.
- IEC 62714-3: Géométrie et cinématique

Cette partie spécifie la modélisation des informations concernant la géométrie et la cinématique.

- IEC 62714-4<sup>1</sup>: Logique

Cette partie spécifie la modélisation des informations relatives à la logique, au séquençement, au comportement et à la commande.

D'autres parties pourront être ajoutées à l'avenir afin d'interconnecter d'autres normes de données avec l'AML.

Tant qu'aucune autre partie ne décrit l'intégration d'autres normes, il est important de cibler un ensemble limité de formats de sous-données. À défaut, cela ouvrirait la voie à l'utilisation de tout format de données et l'échange de données ne fonctionnerait pas.

L'Article 1 définit le domaine d'application de l'IEC 62714.

L'Article 2 donne les références normatives.

L'Article 3 donne les termes, définitions et abréviations.

L'Article 4 définit la conformité à l'IEC 62714.

L'Article 5 décrit les spécifications générales en matière d'architecture pour l'IEC 62714.

L'Article 6 définit les bibliothèques AML de base.

L'Article 7 décrit la modélisation des données définies par l'utilisateur.

L'Article 8 décrit les concepts AML étendus.

L'Annexe A fournit une introduction informative, des cas d'utilisation et des exemples d'AML.

L'Annexe B donne une représentation XML informative des bibliothèques définies dans la présente partie de l'IEC 62714.

---

<sup>1</sup> En préparation.

# FORMAT D'ÉCHANGE DE DONNÉES TECHNIQUES POUR UNE UTILISATION DANS L'INGÉNIERIE DES SYSTÈMES D'AUTOMATISATION INDUSTRIELLE – AUTOMATION MARKUP LANGUAGE –

## Partie 1: Architecture et exigences générales

### 1 Domaine d'application

La présente partie de l'IEC 62714 spécifie les exigences générales et l'architecture du langage AML (*Automation Markup Language*) pour la modélisation des informations techniques échangées entre les outils techniques d'automatisation industrielle et des systèmes de commande. Ses dispositions s'appliquent aux fonctions exportation/importation des outils associés.

La présente partie de l'IEC 62714 ne définit pas les détails de la procédure d'échange de données ou des exigences de mise en œuvre pour les outils d'importation/exportation.

### 2 Références normatives

Les documents suivants cités dans le texte constituent, pour tout ou partie de leur contenu, des exigences du présent document. Pour les références datées, seule l'édition citée s'applique. Pour les références non datées, la dernière édition du document de référence s'applique (y compris les éventuels amendements).

IEC 62424:2016, *Représentation de l'ingénierie de commande de processus – Demandes sous forme de diagrammes P&I et échange de données entre outils P&ID et outils PCE-CAE*

IEC 62714 (toutes les parties), *Format d'échange de données techniques pour une utilisation dans l'ingénierie des systèmes d'automatisation industrielle – Automation markup language*

ISO/PAS 17506, *Systèmes d'automatisation industrielle et intégration – Spécifications du schéma des actifs numériques COLLADA pour la visualisation 3D des données industrielles*

ISO/IEC 29500-2, *Technologies de l'information – Description des documents et langages de traitement – Formats de fichier "Office Open XML" – Partie 2: Conventions de paquetage ouvert*

IETF RFC 2046, *Multipurpose Internet Mail Extensions (MIME) Part Two: Media Types* [consulté 2017-11-13]. Adresse <<http://www.ietf.org>>

IETF RFC 4122, *A Universally Unique Identifier (UUID) URN Namespace* [consulté 2017-11-13]. Adresse <<http://www.ietf.org>>

IETF RFC 5646, *Tags for Identifying Languages* [consulté 2017-11-13]. Adresse <<http://www.ietf.org>>

COLLADA 1.4.1:March 2008, *COLLADA – Digital Asset Schema Release 1.4.1* [consulté 2017-11-13]. Adresse <[http://www.khronos.org/files/collada\\_spec\\_1\\_4.pdf](http://www.khronos.org/files/collada_spec_1_4.pdf)>

PLCopen XML 2.0:December 3rd 2008 and PLCopen XML 2.0.1:May 8th 2009, *XML formats for IEC 61131-3*  
[consulté 2017-11-13]. Adresse <<http://www.plcopen.org>>