

INTERNATIONAL STANDARD

NORME INTERNATIONALE



Nuclear power plants – Electrical power system – General requirements

**Centrales nucléaires de puissance – Système d'alimentation électrique –
Exigences générales**

INTERNATIONAL
ELECTROTECHNICAL
COMMISSION

COMMISSION
ELECTROTECHNIQUE
INTERNATIONALE

ICS 27.120.20

ISBN 978-2-8322-8817-7

**Warning! Make sure that you obtained this publication from an authorized distributor.
Attention! Veuillez vous assurer que vous avez obtenu cette publication via un distributeur agréé.**

CONTENTS

FOREWORD.....	5
INTRODUCTION.....	7
1 Scope.....	9
1.1 General.....	9
1.2 Application: new and pre-existing plants	11
1.3 Framework.....	11
1.4 Interaction with level 2 standards	11
2 Normative references	13
3 Terms and definitions	14
4 Abbreviated terms	23
5 Overall Electrical Power System life cycle	24
6 Architecture of Electrical Power System: identification of requirements.....	25
6.1 Objectives.....	25
6.2 Safety requirements applicable to the electrical architecture design.....	26
6.2.1 Defence in Depth.....	26
6.2.2 Application of Single Failure Criterion	26
6.2.3 Management of the Common Cause Failure	26
6.2.4 Loss Of Off-site Power conditions	26
6.2.5 Station Black Out conditions	27
6.2.6 Loss of Electrical Power conditions.....	27
6.2.7 Application of internal and external Hazards	27
6.2.8 Nuclear security requirements	28
6.2.9 Classification requirements.....	28
6.2.10 Probabilistic requirements	28
6.3 Electrical requirements	28
6.3.1 Requirements coordinated with the electric grid operator.....	28
6.3.2 Electrical disturbances.....	29
6.4 Functional performance requirements	29
6.5 Maintenance requirements.....	30
7 Design of the electrical architecture.....	30
7.1 Objectives.....	30
7.2 Safety design provision.....	30
7.2.1 Defence in Depth in the Electrical Power System.....	30
7.2.2 Single Failure in the Electrical Power System	31
7.2.3 Common Cause Failure in the Electrical Power System	31
7.2.4 Provisions for coping with Loss Of Off-site Power	37
7.2.5 Provisions for coping with Station Black Out	38
7.2.6 Provisions to avoid or reduce Loss of Electrical Power	38
7.2.7 Classification consideration	38
7.2.8 Provisions to achieve the reliability target for the Electrical Power System	39
7.3 Electrical design provision	40
7.3.1 General	40
7.3.2 Coordination with the grid.....	40
7.3.3 Design to achieve electrical requirements.....	40
7.4 Functional and performance design provisions.....	46
7.4.1 General	46

7.4.2	Electrical Power System studies	46
7.4.3	Design of the Interruptible Power Supply System.....	49
7.4.4	Design of the Uninterruptible Power Supply System	49
7.5	Maintenance	50
7.5.1	Consideration of the maintenance in the electrical design.....	50
7.6	Multi-unit shared electrical power systems	51
7.7	Electrical system layout	51
7.8	Supporting and associated systems for the Electrical Power System	51
7.9	Overall quality assurance programs	52
7.10	Requirements for output documentation.....	53
7.10.1	General	53
7.10.2	Architecture principles	54
7.10.3	Single line diagrams	55
8	Sub-system requirements	55
8.1	Electrical Power System basis requirements	55
8.1.1	General	55
8.1.2	System Design	56
8.1.3	Single line diagram	56
8.2	Equipment design specification	56
8.3	Equipment requirements	56
8.4	AC Interruptible Electrical Power Supply System	56
8.5	AC/DC Uninterruptible Power Supply System.....	57
8.6	Coordination and interaction with power grid.....	57
8.7	Earthing	57
9	Verification of the architecture of the Electrical Power System.....	57
9.1	General.....	57
9.2	Computerised tools and models verification	57
9.2.1	Electrical Power System verification	57
9.2.2	Layout of electrical power systems and equipment verification	57
9.3	Test requirements	58
10	Overall integration and commissioning	59
10.1	General.....	59
10.2	Requirements	59
10.3	Output documentation.....	60
11	Overall operation and maintenance	60
11.1	General.....	60
11.2	Requirements	60
11.3	Output documentation.....	60
12	System quality assurance plan	61
12.1	General.....	61
12.2	System verification plan	61
12.3	System configuration management plan.....	62
12.4	Fault resolution procedures.....	62
Annex A (informative)	Basic safety issues in NPPs	63
A.1	General.....	63
A.2	Plant safety objectives	63
A.3	Plant safety analysis	63
A.3.1	General	63

A.3.2	Analysis of event sequences	64
A.3.3	Assessment of design basis: deterministic/probabilistic methods	64
A.4	Defence in Depth	64
Annex B (informative)	AC Interruptible Electrical Power System	67
B.1	General.....	67
B.2	Electrical design provisions.....	67
B.2.1	Steady state conditions for Electrical Power System.....	67
B.2.2	Electrical disturbances.....	68
B.3	Design of the Interruptible power system	71
B.3.1	Design of the preferred power supply	71
B.3.2	Design of the off-site power supply	71
B.3.3	Design of on-site preferred power supply.....	72
B.3.4	Design of the AC interruptible power systems important to safety	72
B.3.5	Design of internal standby sources	72
B.4	Preferred power supply system (from IAEA SSG 34:2016, chapter 6, clauses 6.1 to 6.44)	73
B.4.1	General	73
B.4.2	Operation	73
B.4.3	Grid interface and agreement with grid operator	73
B.4.4	Reliability of the preferred power supply	73
B.4.5	Off-site power supplies	74
B.4.6	Availability	75
B.4.7	Independence of off-site circuits	75
B.4.8	Switchyard.....	76
B.5	Safety power supply system supporting DBC	76
B.5.1	General	76
B.5.2	Design (from IAEA SSG 34:2016, chapter 7, clauses 7.36 to 7.63)	77
B.5.3	Testing (from IAEA SSG 34:2016, chapter 7, clauses 7.64 to 7.67).....	79
B.5.4	Performance criteria (transient and dynamic) (from IAEA SSG 34:2016, chapter 7, clauses 7.68 to 7.70).....	79
B.5.5	Relay protection of standby power sources (from IAEA SSG 34:2016, chapter 7, clauses 7.71 to 7.75).....	79
B.5.6	Support systems for standby AC power sources	80
B.5.7	Fuel for standby AC power sources	80
B.6	Power supply system important to safety supporting DEC	80
B.6.1	General	80
B.6.2	Design (from IAEA SSG 34:2016, chapter 8, clauses 8.1 to 8.18)	81
B.7	Mobile sources connections network.....	82
B.8	Monitoring and switching of buses	82
Annex C (informative)	Earthing	84
Annex D (informative)	Logic diagram followed for the design of the EPS.....	85
Bibliography.....		86
Figure 1 – Scope of work of this document.....		10
Figure 2 – Architecture of Electrical Power System		12
Figure 3 – Connections between the overall Electrical Power System life cycle and the life cycles of the electrical power sub- systems		25
Figure 4 – Typical voltage design bases (IEC 62855).....		43
Table A.1 – Support of the electrical power supply for the defence in depth of the plant		66

INTERNATIONAL ELECTROTECHNICAL COMMISSION

**NUCLEAR POWER PLANTS –
ELECTRICAL POWER SYSTEM –
GENERAL REQUIREMENTS**
FOREWORD

- 1) The International Electrotechnical Commission (IEC) is a worldwide organization for standardization comprising all national electrotechnical committees (IEC National Committees). The object of IEC is to promote international co-operation on all questions concerning standardization in the electrical and electronic fields. To this end and in addition to other activities, IEC publishes International Standards, Technical Specifications, Technical Reports, Publicly Available Specifications (PAS) and Guides (hereafter referred to as "IEC Publication(s)"). Their preparation is entrusted to technical committees; any IEC National Committee interested in the subject dealt with may participate in this preparatory work. International, governmental and non-governmental organizations liaising with the IEC also participate in this preparation. IEC collaborates closely with the International Organization for Standardization (ISO) in accordance with conditions determined by agreement between the two organizations.
- 2) The formal decisions or agreements of IEC on technical matters express, as nearly as possible, an international consensus of opinion on the relevant subjects since each technical committee has representation from all interested IEC National Committees.
- 3) IEC Publications have the form of recommendations for international use and are accepted by IEC National Committees in that sense. While all reasonable efforts are made to ensure that the technical content of IEC Publications is accurate, IEC cannot be held responsible for the way in which they are used or for any misinterpretation by any end user.
- 4) In order to promote international uniformity, IEC National Committees undertake to apply IEC Publications transparently to the maximum extent possible in their national and regional publications. Any divergence between any IEC Publication and the corresponding national or regional publication shall be clearly indicated in the latter.
- 5) IEC itself does not provide any attestation of conformity. Independent certification bodies provide conformity assessment services and, in some areas, access to IEC marks of conformity. IEC is not responsible for any services carried out by independent certification bodies.
- 6) All users should ensure that they have the latest edition of this publication.
- 7) No liability shall attach to IEC or its directors, employees, servants or agents including individual experts and members of its technical committees and IEC National Committees for any personal injury, property damage or other damage of any nature whatsoever, whether direct or indirect, or for costs (including legal fees) and expenses arising out of the publication, use of, or reliance upon, this IEC Publication or any other IEC Publications.
- 8) Attention is drawn to the Normative references cited in this publication. Use of the referenced publications is indispensable for the correct application of this publication.
- 9) Attention is drawn to the possibility that some of the elements of this IEC Publication may be the subject of patent rights. IEC shall not be held responsible for identifying any or all such patent rights.

International Standard IEC 63046 has been prepared by subcommittee 45A: Instrumentation, control and electrical power systems of nuclear facilities, of IEC technical committee 45: Nuclear instrumentation.

The text of this International Standard is based on the following documents:

FDIS	Report on voting
45A/1348/FDIS	45A/1355/RVD

Full information on the voting for the approval of this International Standard can be found in the report on voting indicated in the above table.

This document has been drafted in accordance with the ISO/IEC Directives, Part 2.

The committee has decided that the contents of this document will remain unchanged until the stability date indicated on the IEC website under "<http://webstore.iec.ch>" in the data related to the specific document. At this date, the document will be

- reconfirmed,
- withdrawn,
- replaced by a revised edition, or
- amended.

IMPORTANT – The 'colour inside' logo on the cover page of this publication indicates that it contains colours which are considered to be useful for the correct understanding of its contents. Users should therefore print this document using a colour printer.

INTRODUCTION

a) Technical background, main issues, and organisation of the Standard

The purpose of this standard is to provide the high level specification and requirement to implement a suitable Electrical Power System in a Nuclear Power Plant (NPP).

The electric power system in NPPs supports reactor systems important to safety. It also allows electric energy production providing the transmission grid with active and reactive power and electro-mechanical inertia.

The designers, operators of NPPs (utilities), equipment suppliers, systems evaluators and licensors, may use this document.

b) Situation of the current Standard in the structure of the IEC SC 45A standard series

The entry point of the IEC SC 45A standard series should be summary report introducing the two first level standards for I&C (IEC 61513) and the Electrical Power System (IEC 63046).

This document is the first level IEC SC 45A document tackling the issue of general requirements for Electrical Power System and sub-systems.

For more details on the structure of the IEC SC 45A standard series, see item d) of this introduction.

c) Recommendations and limitations regarding the application of this Standard

It is important to note that this Standard establishes no additional functional requirements for safety systems.

To ensure that the Standard will continue to be relevant in future years, the emphasis has been placed on issues of principle, rather than specific technologies.

d) Description of the structure of the IEC SC 45A standard series and relationships with other IEC documents and other bodies documents (IAEA, ISO)

The top-level documents of the IEC SC 45A standard series are IEC 61513 and IEC 63046. IEC 61513 provides general requirements for I&C systems and equipment that are used to perform functions important to safety in NPPs. IEC 63046 provides general requirements for electrical power systems of NPPs; it covers power supply systems including the supply systems of the I&C systems. IEC 61513 and IEC 63046 are to be considered in conjunction and at the same level. IEC 61513 and IEC 63046 structure the IEC SC 45A standard series and shape a complete framework establishing general requirements for instrumentation, control and electrical systems for nuclear power plants.

IEC 61513 and IEC 63046 refer directly to other IEC SC 45A standards for general topics related to categorization of functions and classification of systems, qualification, separation, defence against common cause failure, control room design, electromagnetic compatibility, cybersecurity, software and hardware aspects for programmable digital systems, coordination of safety and security requirements and management of ageing. The standards referenced directly at this second level should be considered together with IEC 61513 and IEC 63046 as a consistent document set.

At a third level, IEC SC 45A standards not directly referenced by IEC 61513 or by IEC 63046 are standards related to specific equipment, technical methods, or specific activities. Usually these documents, which make reference to second-level documents for general topics, can be used on their own.

A fourth level extending the IEC SC 45 standard series, corresponds to the Technical Reports which are not normative.

The IEC SC 45A standards series consistently implements and details the safety and security principles and basic aspects provided in the relevant IAEA safety standards and in the relevant documents of the IAEA nuclear security series (NSS). In particular this includes the IAEA requirements SSR-2/1, establishing safety requirements related to the design of nuclear power plants (NPPs), the IAEA safety guide SSG-30 dealing with the safety classification of structures, systems and components in NPPs, the IAEA safety guide SSG-39 dealing with the design of instrumentation and control systems for NPPs, the IAEA safety guide SSG-34 dealing with the design of electrical power systems for NPPs and the implementing guide NSS17 for computer security at nuclear facilities. The safety and security terminology and definitions used by SC 45A standards are consistent with those used by the IAEA.

IEC 61513 and IEC 63046 have adopted a presentation format similar to the basic safety publication IEC 61508 with an overall life-cycle framework and a system life-cycle framework. Regarding nuclear safety, IEC 61513 and IEC 63046 provide the interpretation of the general requirements of IEC 61508-1, IEC 61508-2 and IEC 61508-4, for the nuclear application sector. In this framework IEC 60880, IEC 62138 and IEC 62566 correspond to IEC 61508-3 for the nuclear application sector.

IEC 61513 and IEC 63046 refer to ISO as well as to IAEA GS-R part 2 and IAEA GS-G-3.1 and IAEA GS-G-3.5 for topics related to quality assurance (QA).

At level 2, regarding nuclear security, IEC 62645 is the entry document for the IEC/SC 45A security standards. It builds upon the valid high level principles and main concepts of the generic security standards, in particular ISO/IEC 27001 and ISO/IEC 27002; it adapts them and completes them to fit the nuclear context and coordinates with the IEC 62443 series. At level 2, IEC 60964 is the entry document for the IEC/SC 45A control rooms standards and IEC 62342 is the entry document for the ageing management standards.

NOTE 1 It is assumed that for the design of I&C systems in NPPs that implement conventional safety functions (e.g. to address worker safety, asset protection, chemical hazards, process energy hazards) international or national standards would be applied.

NOTE 2 IEC/SC 45A domain was extended in 2013 to cover electrical systems. In 2014 and 2015 discussions were held in IEC/SC 45A to decide how and where general requirements for the design of electrical systems were to be considered. IEC/SC 45A experts recommended that an independent standard be developed at the same level as IEC 61513 to establish general requirements for electrical systems. Project IEC 63046 was launched to cover this objective. As IEC 63046 is published, from now on this Note 2 of the introduction of IEC/SC 45A standards will not be included in the newly published standards.

NUCLEAR POWER PLANTS – ELECTRICAL POWER SYSTEM – GENERAL REQUIREMENTS

1 Scope

1.1 General

This document:

- provides requirements and recommendations for the overall Electrical Power System. In particular, it covers interruptible and uninterruptible Electrical Power Systems including the systems supplying the I&C systems;
- is consistent and coherent with IEC 61513. Like IEC 61513, this document also highlights the need for complete and precise requirements, derived from the plant safety goals. Those requirements are prerequisites for generating the comprehensive requirements for the overall Electrical Power System architecture, and for the electrical power supply sub-systems;
- has to be considered in conjunction with and at the same level as IEC 61513. These two standards provide a complete framework establishing general requirements for instrumentation, control, and Electrical Power System for Nuclear Power Plants.

This document establishes:

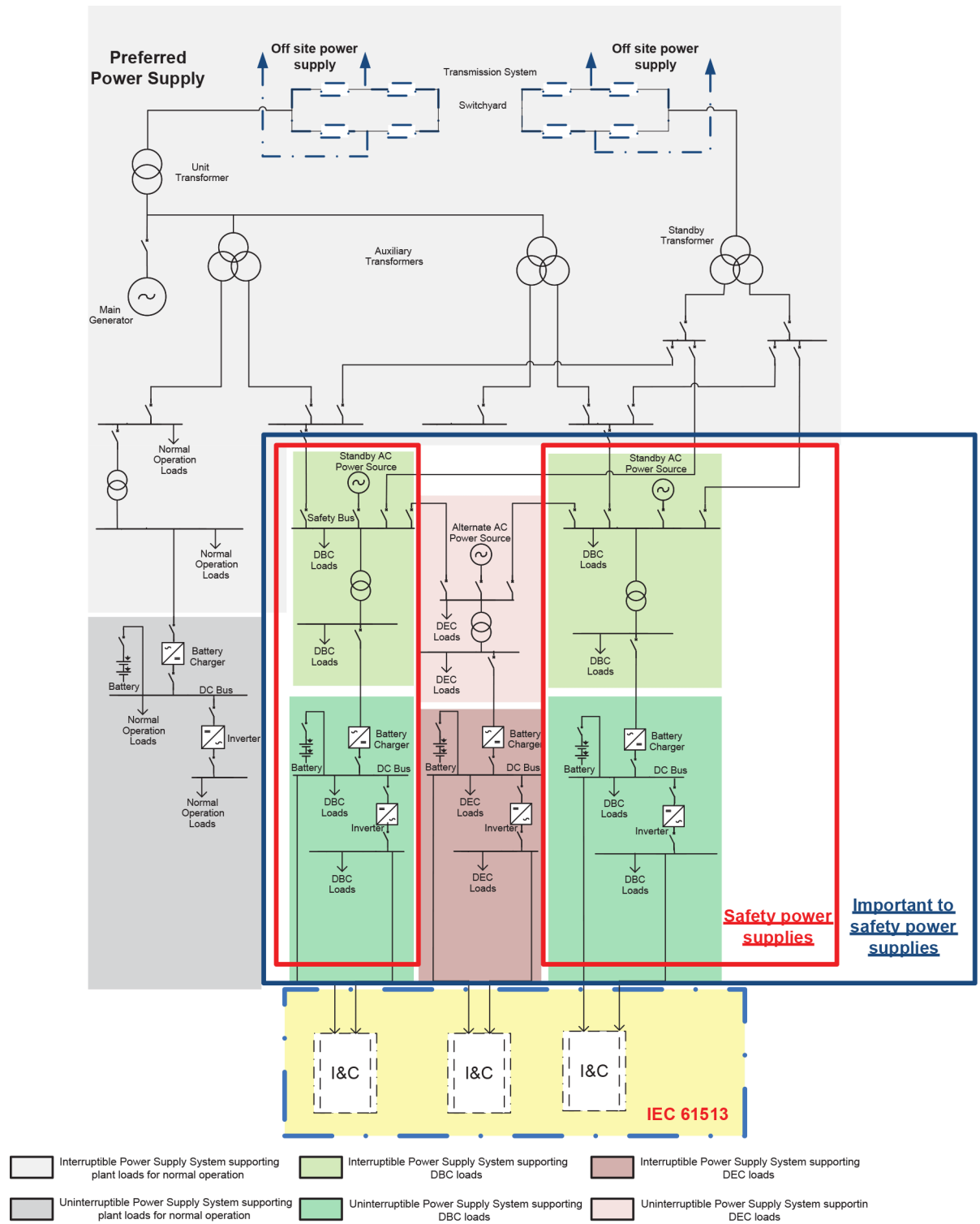
- the high level specification and requirement to implement a suitable Electrical Power System in a NPP that supports reactor systems important to safety. It also enables electrical energy production providing the transmission grid with active and reactive power and electro-mechanical inertia;
- the relationships between:
 - the plant safety requirements and the architecture of the overall Electrical Power System and its sub-systems (see Figure 1) including:
 - a) the contribution to the plant Defence in Depth;
 - b) the independency and redundancy provisions;
 - the electrical requirements and the architecture of the Electrical Power System and its sub-systems;
 - the functional requirements and the architecture of the Electrical Power System and its sub-systems;
 - the requirements associated with the maintenance strategy and the architecture of the Electrical Power System and its sub-systems;
- the design of Electrical power sub-systems (e.g. interruptible and uninterruptible);
- the requirements for supporting systems of Electrical Power System (HVAC, I&C, etc.);
- the Electrical Power System life-cycle framework.

This document does not cover the specification of:

- I&C systems;
- the transmission lines connecting to substations outside the NPP;
- electrical equipment requirements already defined in the industrial IEC standards;
- electrical power for security systems (e.g., fences, surveillance systems, entrance control);

- lighting and socket facility.

This document does not consider power production requirements.



IEC

Figure 1 – Scope of work of this document

NOTE Figure 1 is based on IAEA SSG34:2016, Figure 3, with adaptation regarding the scope.

This figure provides only an example. Various possible arrangements of buses, loads, generators and interconnections would meet the requirements of SSR-2/1. Furthermore, many elements of the plant system, such as buses that are not important to safety and direct current power systems, are not shown. This figure is intended only to represent the relationship between the elements of the plant power systems that are within the safety classification and the preferred power supply. The elements of the preferred power supply that are not within the bounds of the important to safety power supply are outside the scope of the plant safety classification. The system elements included in the important to safety power supplies will differ according to plant design and the classification methods applied in different States. The classification methods are held by IEC 61226. Some plant designs may not require safety standby power sources. All nuclear power plants are expected to have safety direct current power supplies.

1.2 Application: new and pre-existing plants

This document is applicable to the Electrical Power System of new nuclear power plants and upgrading or back fitting of existing plants.

For existing plants, only a subset of requirements may be applicable and this subset should be identified at the beginning of any project.

1.3 Framework

This document consists of six normative clauses (an overview is provided in Figure 2):

- Clause 6 addresses the identification of requirements;
- Clause 7 addresses the design of the electrical architecture;
- Clause 8 addresses the sub-system requirements;
- Clause 9 addresses the verification;
- Clause 10 addresses the overall integration and commissioning;
- Clause 11 addresses the overall operation and maintenance.

1.4 Interaction with level 2 standards

This document shall permit an electrical designer to establish the list of requirements applicable for the design.

It also provides the different provisions applicable for the different requirements.

These provisions will be applied to the different type of power networks (sub-system):

- interruptible AC power network;
- uninterruptible power network.

Moreover, other transverse level 2 standards will define requirements applicable to electrical architecture definition.

The nuclear standards linked with the safety provisions (such as safety classification, separation, qualification or surveillance testing, etc.) are considered as input data for this document.

6 Architecture of Electrical Power System: Identification of requirements		
6.2 Safety requirements	6.3 Electrical requirements	
6.2.1 Defence in Depth	6.3.1 Requirements coordinated with the electric grid operator	
6.2.2 Application of Single Failure Criterion	6.3.2 Electrical disturbances	
6.2.3 Management of the Common Cause Failure		
6.2.4 Loss Of Off-site Power conditions	6.4 Functional, performance requirements	
6.2.5 Station Black Out conditions		
6.2.6 Loss of Electrical power conditions	6.5 Maintenance requirements	
6.2.7 Application of internal and external Hazards		
6.2.8 Nuclear security requirements		
6.2.9 Classification requirements		
6.2.10 Probabilistic requirements		
7 Overall Architecture of Electrical Power System and structured approach: Design of the electrical architecture		
7.2 Safety design provision	7.3 Electrical design provision	7.6 Multi-unit shared electrical power systems
7.2.1 Defence in Depth in the Electrical Power System	7.3.2 Coordination with the grid	
7.2.2 SF in the Electrical Power System	7.3.3 Design to achieve electrical requirements	7.7 Electrical system layout
7.2.3 CCF in the Electrical Power System		
7.2.4 Provisions for coping with LOOP	7.4 Functional and performance design provisions	7.8 Supporting and associated systems for the EPS
7.2.5 Provisions for coping with SBO	7.4.2 Electrical Power System studies	
7.2.6 Provisions to avoid or reduce Loss of Electrical Power	7.4.3 Design of the Interruptible Power Supply System	7.9 Overall quality assurance programs
7.2.7 Classification consideration	7.4.4 Design of the Uninterruptible Power Supply System	
7.2.7.2 Qualification		7.10 Requirements for output documentation
7.2.7.3 Surveillance Testing	7.5 Maintenance	
7.2.8 Provisions to achieve the reliability target for the Electrical Power System	7.5.1 Consideration of the maintenance in the electrical design	
8 Sub-System requirements		
8.1 Electrical Power System basis requirements	8.4 AC Interruptible Electrical Power Supply System	8.6 Coordination and interaction with the grid
8.2 Equipment design specification	8.5 AC/DC Uninterruptible Power Supply System	8.7 Earthing
8.3 Equipment requirements		
9 Verification of the architecture of the Electrical Power System		
9.2 Computerised tools and models verification	9.3 Test requirements	
10 Overall integration and commissioning		
10.2 Requirements	10.3 Output documentation	
11 Overall operation and maintenance		
11.2 Requirements	11.3 Output documentation	
12 System quality assurance plan		
12.2 System verification plan	12.3 System configuration management plan	12.4 Fault resolution procedures

Figure 2 – Architecture of Electrical Power System

2 Normative references

The following documents are referred to in the text in such a way that some or all of their content constitutes requirements of this document. For dated references, only the edition cited applies. For undated references, the latest edition of the referenced document (including any amendments) applies.

IEC 60038:2009, *IEC standard voltages*

IEC 60671, *Nuclear power plants – Instrumentation and control systems important to safety – Surveillance testing*

IEC 60709:2018, *Nuclear power plants – Instrumentation, control and electrical power systems important to safety – Separation*

IEC/IEEE 60780-323, *Nuclear facilities – Electrical equipment important safety – Qualification*

IEC 60964:2018, *Nuclear power plants – Control rooms – Design*

IEC/IEEE 60980-344, *Nuclear facilities – Equipment important to safety – Seismic qualification*

IEC 61225, *Nuclear power plants – Instrumentation, control and electrical power systems – Requirements for static uninterruptible DC and AC power supply systems*

IEC 61226:2020, *Nuclear power plants – Instrumentation, control and electrical power systems important to safety – Categorization of functions and classification of systems*

IEC 61513:2011, *Nuclear power plants – Instrumentation and control important to safety – General requirements for systems*

IEC 62671, *Nuclear power plants – Instrumentation and control important to safety – Selection and use of industrial digital devices of limited functionality*

IEC 62808, *Nuclear power plants – Instrumentation and control systems important to safety – Design and qualification of isolation devices*

IEC 62855:2016, *Nuclear power plants – Electrical power systems – Electrical power systems analysis*

IEC 62859, *Nuclear power plants – Instrumentation and control systems – Requirements for coordinating safety and cybersecurity*

IEC 63272, *Nuclear facilities – Electrical power systems – AC interruptible power supply systems*

ISO 9001:2015, *Quality management systems – Requirements*

IAEA Safety Guide GS-G-3.1:2006, *Application of the management System for facilities and activities*

IAEA GS-R, Part 2:2016, *Leadership and Management for Safety*

IAEA Safety Guide SSG-34:2016, *Design of electrical power systems in Nuclear Power Plants*

SOMMAIRE

AVANT-PROPOS.....	92
INTRODUCTION.....	94
1 Domaine d'application	96
1.1 Généralités	96
1.2 Application: nouvelles centrales et centrales existantes	99
1.3 Cadre général	99
1.4 Interaction avec les normes de second niveau	99
2 Références normatives	101
3 Termes et définitions	102
4 Termes abrégés	111
5 Cycle de vie de l'ensemble du système d'alimentation électrique	113
6 Architecture du système d'alimentation électrique: identification des exigences.....	114
6.1 Objectifs	114
6.2 Exigences de sûreté applicables à la conception de l'architecture électrique	115
6.2.1 Défense en profondeur	115
6.2.2 Application du critère de défaillance unique	115
6.2.3 Gestion des défaillances de cause commune.....	115
6.2.4 Conditions de perte des sources d'alimentation externe	116
6.2.5 Conditions de manque de tension généralisé	116
6.2.6 Conditions de perte totale des alimentations électriques.....	116
6.2.7 Prise en compte des agressions internes et externes	116
6.2.8 Exigences de sécurité nucléaire	117
6.2.9 Exigences de classement	117
6.2.10 Exigences probabilistes	117
6.3 Exigences électriques	117
6.3.1 Exigences coordonnées avec le gestionnaire de réseau	117
6.3.2 Perturbations électriques	118
6.4 Exigences fonctionnelles et de performances.....	119
6.5 Exigences de maintenance	119
7 Conception de l'architecture électrique	119
7.1 Objectifs	119
7.2 Disposition relative à la conception de sûreté	119
7.2.1 Défense en profondeur du système d'alimentation électrique.....	119
7.2.2 Défaillance unique du système d'alimentation électrique.....	120
7.2.3 Défaillance de cause commune du système d'alimentation électrique	121
7.2.4 Dispositions pour faire face à la perte des alimentations électriques.....	127
7.2.5 Dispositions pour faire face au manque de tension généralisé	128
7.2.6 Dispositions visant à éviter ou à réduire la perte totale des alimentations électriques	128
7.2.7 Considérations relatives au classement	129
7.2.8 Dispositions visant à atteindre l'objectif de fiabilité du système d'alimentation électrique	130
7.3 Disposition relative à la conception électrique.....	130
7.3.1 Généralités	130
7.3.2 Coordination avec le réseau	130
7.3.3 Conception conforme aux exigences électriques.....	131
7.4 Dispositions fonctionnelles et de performances relatives à la conception	138

7.4.1	Généralités	138
7.4.2	Etudes du système d'alimentation électrique	138
7.4.3	Conception du système d'alimentation électrique interruptible	141
7.4.4	Conception du système d'alimentation électrique sans interruption	141
7.5	Maintenance	141
7.5.1	Considérations relatives à la maintenance lors de la conception électrique	141
7.6	Systèmes d'alimentation électrique partagés sur un site à tranches multiples	143
7.7	Installation du système électrique	143
7.8	Systèmes supports et associés au système d'alimentation électrique.....	143
7.9	Programmes d'assurance qualité d'ensemble	144
7.10	Exigences relatives à la documentation produite.....	145
7.10.1	Généralités	145
7.10.2	Principes d'architecture	146
7.10.3	Schémas unifilaires	147
8	Exigences relatives aux sous-systèmes.....	148
8.1	Exigences du système d'alimentation électrique.....	148
8.1.1	Généralités.....	148
8.1.2	Conception du système	148
8.1.3	Schéma unifilaire	148
8.2	Spécification de conception des équipements	148
8.3	Exigences relatives aux équipements	149
8.4	Système d'alimentation électrique interruptible en courant alternatif	149
8.5	Système d'alimentation électrique sans interruption CA/CC	149
8.6	Coordination et interaction avec le réseau électrique	149
8.7	Mise à la terre.....	149
9	Vérification de l'architecture du système d'alimentation électrique	149
9.1	Généralités	149
9.2	Vérification des modèles et outils informatisés.....	149
9.2.1	Vérification du système d'alimentation électrique	149
9.2.2	Implantation des systèmes d'alimentation électrique et vérification des équipements.....	150
9.3	Exigences d'essai	150
10	Intégration et mise en service globales.....	151
10.1	Généralités	151
10.2	Exigences	152
10.3	Documentation produite	152
11	Exploitation et maintenance d'ensemble	152
11.1	Généralités	152
11.2	Exigences	153
11.3	Documentation produite	153
12	Plan d'assurance qualité système.....	153
12.1	Généralités	153
12.2	Plan de vérification système	154
12.3	Plan de gestion de configuration système	154
12.4	Procédure de résolution des défauts	155
Annexe A (informative) Questions de sûreté fondamentales dans les centrales nucléaires.....		156
A.1	Généralités	156

A.2	Objectifs de sûreté de la centrale.....	156
A.3	Analyse de sûreté de la centrale	156
A.3.1	Généralités.....	156
A.3.2	Analyse des séquences d'événements.....	157
A.3.3	Estimation du dimensionnement: méthodes déterministes et probabilistes	157
A.4	Défense en profondeur	158
Annexe B (informative) Système d'alimentation électrique interruptible en courant alternatif		160
B.1	Généralités	160
B.2	Dispositions relatives à la conception électrique	160
B.2.1	Conditions de régime établi du système d'alimentation électrique	160
B.2.2	Perturbations électriques	161
B.3	Conception du système d'alimentation électrique interruptible.....	164
B.3.1	Conception de l'alimentation préférentielle	164
B.3.2	Conception de l'alimentation externe	164
B.3.3	Conception de l'alimentation interne préférentielle.....	165
B.3.4	Conception des systèmes électriques importants pour la sûreté interruptibles en courant alternatif	166
B.3.5	Conception des sources internes de secours	166
B.4	Alimentation préférentielle (issu du chapitre 6 de l'AIEA SSG 34:2016, 6.1 à 6.44).....	166
B.4.1	Généralités.....	166
B.4.2	Exploitation	166
B.4.3	Interface réseau et accord avec le gestionnaire du réseau.....	166
B.4.4	Fiabilité de l'alimentation préférentielle.....	167
B.4.5	Sources d'alimentation externes	167
B.4.6	Disponibilité.....	168
B.4.7	Indépendance des circuits externes	169
B.4.8	Poste.....	169
B.5	Système électrique de sûreté prenant en charge les DBC.....	170
B.5.1	Généralités.....	170
B.5.2	Conception (issu du chapitre 7 de l'AIEA SSG 34:2016, 7.36 à 7.63).....	170
B.5.3	Essais (issu du chapitre 7 de l'AIEA SSG 34:2016, 7.64 à 7.67).....	173
B.5.4	Critères de performances (transitoires et dynamiques) (issu du chapitre 7 de l'AIEA SSG 34:2016, 7.68 à 7.70).....	173
B.5.5	Protection par relais des sources de secours (issu du chapitre 7 de l'AIEA SSG 34:2016, 7.71 à 7.75).....	173
B.5.6	Systèmes supports des sources internes de secours en courant alternatif	174
B.5.7	Combustible des sources internes de secours en courant alternatif	174
B.6	Système électrique important pour la sûreté prenant en charge les DEC	174
B.6.1	Généralités.....	174
B.6.2	Conception (issu du chapitre 8 de l'AIEA SSG 34:2016, 8.1 à 8.18).....	174
B.7	Réseau de connexions de sources mobiles.....	176
B.8	Surveillance et basculement de source	176
Annexe C (informative) Mise à la terre		179
Annexe D (informative) Diagramme logique suivi pour la conception du système d'alimentation électrique		180
Bibliographie.....		181

Figure 1 – Domaine d'application du présent document	98
Figure 2 – Architecture du système d'alimentation électrique	100
Figure 3 – Liens entre le cycle de vie de l'ensemble du système d'alimentation électrique et les cycles de vie des sous-systèmes d'alimentation électrique.....	114
Figure 4 – Bases de conception de la tension classique (IEC 62855).....	134
Tableau A.1 – Appui du système d'alimentation électrique pour la défense en profondeur	159

COMMISSION ÉLECTROTECHNIQUE INTERNATIONALE

CENTRALES NUCLÉAIRES DE PUISSANCE – SYSTÈME D'ALIMENTATION ÉLECTRIQUE – EXIGENCES GÉNÉRALES

AVANT-PROPOS

- 1) La Commission Electrotechnique Internationale (IEC) est une organisation mondiale de normalisation composée de l'ensemble des comités électrotechniques nationaux (Comités nationaux de l'IEC). L'IEC a pour objet de favoriser la coopération internationale pour toutes les questions de normalisation dans les domaines de l'électricité et de l'électronique. A cet effet, l'IEC – entre autres activités – publie des Normes internationales, des Spécifications techniques, des Rapports techniques, des Spécifications accessibles au public (PAS) et des Guides (ci-après dénommés "Publication(s) de l'IEC"). Leur élaboration est confiée à des comités d'études, aux travaux desquels tout Comité national intéressé par le sujet traité peut participer. Les organisations internationales, gouvernementales et non gouvernementales, en liaison avec l'IEC, participent également aux travaux. L'IEC collabore étroitement avec l'Organisation Internationale de Normalisation (ISO), selon des conditions fixées par accord entre les deux organisations.
- 2) Les décisions ou accords officiels de l'IEC concernant les questions techniques représentent, dans la mesure du possible, un accord international sur les sujets étudiés, étant donné que les Comités nationaux de l'IEC intéressés sont représentés dans chaque comité d'études.
- 3) Les Publications de l'IEC se présentent sous la forme de recommandations internationales et sont agréées comme telles par les Comités nationaux de l'IEC. Tous les efforts raisonnables sont entrepris afin que l'IEC s'assure de l'exactitude du contenu technique de ses publications; l'IEC ne peut pas être tenue responsable de l'éventuelle mauvaise utilisation ou interprétation qui en est faite par un quelconque utilisateur final.
- 4) Dans le but d'encourager l'uniformité internationale, les Comités nationaux de l'IEC s'engagent, dans toute la mesure possible, à appliquer de façon transparente les Publications de l'IEC dans leurs publications nationales et régionales. Toutes divergences entre toutes Publications de l'IEC et toutes publications nationales ou régionales correspondantes doivent être indiquées en termes clairs dans ces dernières.
- 5) L'IEC elle-même ne fournit aucune attestation de conformité. Des organismes de certification indépendants fournissent des services d'évaluation de conformité et, dans certains secteurs, accèdent aux marques de conformité de l'IEC. L'IEC n'est responsable d'aucun des services effectués par les organismes de certification indépendants.
- 6) Tous les utilisateurs doivent s'assurer qu'ils sont en possession de la dernière édition de cette publication.
- 7) Aucune responsabilité ne doit être imputée à l'IEC, à ses administrateurs, employés, auxiliaires ou mandataires, y compris ses experts particuliers et les membres de ses comités d'études et des Comités nationaux de l'IEC, pour tout préjudice causé en cas de dommages corporels et matériels, ou de tout autre dommage de quelque nature que ce soit, directe ou indirecte, ou pour supporter les coûts (y compris les frais de justice) et les dépenses découlant de la publication ou de l'utilisation de cette Publication de l'IEC ou de toute autre Publication de l'IEC, ou au crédit qui lui est accordé.
- 8) L'attention est attirée sur les références normatives citées dans cette publication. L'utilisation de publications référencées est obligatoire pour une application correcte de la présente publication.
- 9) L'attention est attirée sur le fait que certains des éléments de la présente Publication de l'IEC peuvent faire l'objet de droits de brevet. L'IEC ne saurait être tenue pour responsable de ne pas avoir identifié de tels droits de brevets et de ne pas avoir signalé leur existence.

La Norme internationale IEC 63046 a été établie par le sous-comité 45A: Systèmes d'instrumentation, de contrôle-commande et d'alimentation électrique des installations nucléaires, du comité d'études 45 de l'IEC: Instrumentation nucléaire.

Le texte de cette Norme internationale est issu des documents suivants:

FDIS	Rapport de vote
45A/1348/FDIS	45A/1355/RVD

Le rapport de vote indiqué dans le tableau ci-dessus donne toute information sur le vote ayant abouti à l'approbation de cette Norme internationale.

La version française de cette norme n'a pas été soumise au vote.

Ce document a été rédigé selon les Directives ISO/IEC, Partie 2.

Le comité a décidé que le contenu de ce document ne sera pas modifié avant la date de stabilité indiquée sur le site web de l'IEC sous "<http://webstore.iec.ch>" dans les données relatives au document recherché. A cette date, le document sera

- reconduit,
- supprimé,
- remplacé par une édition révisée, ou
- amendé.

IMPORTANT – Le logo "*colour inside*" qui se trouve sur la page de couverture de cette publication indique qu'elle contient des couleurs qui sont considérées comme utiles à une bonne compréhension de son contenu. Les utilisateurs devraient, par conséquent, imprimer cette publication en utilisant une imprimante couleur.

INTRODUCTION

a) Contexte technique, questions importantes et structure de la présente norme

L'objectif de la présente norme est de fournir une spécification et des exigences de haut niveau pour la mise en œuvre d'un système d'alimentation électrique approprié dans une centrale nucléaire de puissance (CNP).

Dans une CNP, le système d'alimentation électrique est le support des systèmes importants pour la sûreté des réacteurs. Il permet également la production d'énergie électrique, fournissant la puissance active et réactive et l'inertie électromécanique au réseau de transport.

Le présent document peut être utilisé par les concepteurs, les exploitants de centrales nucléaires, les évaluateurs de systèmes et les régulateurs.

b) Position de la présente norme dans la série de normes du SC 45A de l'IEC

Il convient que le point d'entrée de la série de normes du SC 45A de l'IEC soit un rapport de synthèse introduisant les deux normes de premier niveau : pour l'I&C (IEC 61513) et pour le système d'alimentation électrique (IEC 63046).

La présente norme est le document du SC 45A de l'IEC de premier niveau qui traite des exigences générales pour le système d'alimentation électrique et ses sous-systèmes.

Pour plus d'informations sur la série de normes du SC 45A de l'IEC, se référer au point d) de la présente introduction.

c) Recommandations et limites relatives à l'application de présente norme

Il est important de noter que la présente norme n'établit pas d'exigence fonctionnelle supplémentaire pour les systèmes de sûreté.

Afin d'assurer la pertinence de la présente norme pour les années à venir, l'accent est mis sur les questions de principes plutôt que sur les technologies particulières.

d) Description de la structure de la série de normes du SC 45A de l'IEC et relations avec d'autres documents de l'IEC et d'autres organisations (AIEA, ISO)

Les documents de niveau supérieur de la série de normes du SC 45A de l'IEC sont les normes IEC 61513 et IEC 63046. La norme IEC 61513 traite des exigences générales relatives aux systèmes et équipements d'instrumentation et de contrôle-commande (systèmes d'I&C) utilisés pour accomplir les fonctions importantes pour la sûreté des centrales nucléaires. La norme IEC 63046 traite des exigences générales relatives aux systèmes d'alimentation électrique des centrales nucléaires; elle couvre les systèmes d'alimentation électrique, y compris les alimentations des systèmes d'I&C. Les normes IEC 61513 et IEC 63046 doivent être considérées ensemble et au même niveau. Les normes IEC 61513 et IEC 63046 structurent la série de normes du SC 45A de l'IEC et forment un cadre complet établissant les exigences générales relatives aux systèmes d'I&C et électriques des centrales nucléaires de puissance.

Les normes IEC 61513 et IEC 63046 font directement référence aux autres normes du SC 45A de l'IEC traitant de sujets génériques, tels que la catégorisation des fonctions et le classement des systèmes, la qualification, la séparation des systèmes, la défense contre les défaillances de cause commune, la conception des salles de commande, la compatibilité électromagnétique, la cybersécurité, les aspects logiciels et matériels relatifs aux systèmes numériques programmables, la coordination des exigences de sûreté et de sécurité et la gestion du vieillissement. Il convient de considérer que ces normes de second niveau forment, avec les normes IEC 61513 et IEC 63046, un ensemble documentaire cohérent.

Au troisième niveau, les normes du SC 45A de l'IEC, qui ne sont pas référencées directement par les normes IEC 61513 ou IEC 63046, sont relatives à des matériels particuliers, à des méthodes ou à des activités spécifiques. Généralement, ces documents, qui font référence aux documents de deuxième niveau pour les activités génériques, peuvent être utilisés de façon isolée.

Un quatrième niveau qui est une extension de la série de normes du SC 45A de l'IEC correspond aux rapports techniques qui ne sont pas des documents normatifs.

Les normes de la série produite par le SC 45A de l'IEC sont élaborées de façon à être en accord avec les principes de sûreté et de sécurité de haut niveau établis par les normes de sûreté de l'AIEA pertinentes pour les centrales nucléaires, ainsi qu'avec les documents pertinents de la collection de l'AIEA pour la sécurité nucléaire (NSS), en particulier avec le document d'exigences SSR-2/1 qui établit les exigences de sûreté relatives à la conception des centrales nucléaires, avec le guide de sûreté SSG-30 qui traite du classement de sûreté des structures, systèmes et composants des centrales nucléaires, avec le guide de sûreté SSG-39 qui traite de la conception de l'instrumentation et du contrôle commande des centrales nucléaires, avec le guide de sûreté SSG-34 qui traite de la conception des systèmes d'alimentation électrique des centrales nucléaires, et avec le guide de mise en œuvre NSS17 traitant de la sécurité informatique pour les installations nucléaires. La terminologie et les définitions utilisées pour la sûreté et la sécurité dans les normes produites par le SC 45A sont conformes à celles utilisées par l'AIEA.

Les normes IEC 61513 et IEC 63046 ont adopté une présentation similaire à celle de l'IEC 61508, avec un cycle de vie d'ensemble et un cycle de vie des systèmes. Au niveau sûreté nucléaire, les normes IEC 61513 et IEC 63046 sont l'interprétation des exigences générales de l'IEC 61508-1, de l'IEC 61508-2 et de l'IEC 61508-4 pour le secteur nucléaire. Dans ce domaine, l'IEC 60880, l'IEC 62138 et l'IEC 62566 correspondent à la partie 3 de l'IEC 61508 pour le secteur nucléaire.

Les normes IEC 61513 et IEC 63046 font référence aux normes ISO ainsi qu'aux documents AIEA GS-R partie 2 et AIEA GS-G-3.1 et AIEA GS-G-3.5 pour ce qui concerne l'assurance qualité.

Au second niveau, la norme IEC 62645 est le document chapeau du SC 45A de l'IEC portant sur la sécurité nucléaire. Elle est élaborée à partir des principes pertinents de haut niveau des normes ISO/IEC 27001 et 27002; elle les adapte et les complète pour qu'ils deviennent pertinents pour le secteur nucléaire; elle est coordonnée avec la série de normes IEC 62443. Au second niveau, la norme IEC 60964 est le document chapeau des normes du SC 45A de l'IEC portant sur les salles de commande et la norme IEC 62342 est le document chapeau des normes du SC 45A de l'IEC portant sur la gestion du vieillissement.

NOTE 1 Il est admis par hypothèse que pour la conception des systèmes d'I&C qui sont supports de fonctions de sûreté conventionnelle (par exemple pour garantir la sécurité des travailleurs, la protection des biens, la prévention contre les risques chimiques, la prévention contre les risques liés au procédé énergétique) des normes nationales ou internationales s'appliquent.

NOTE 2 Le domaine du SC 45A de l'IEC a été étendu en 2013 pour couvrir les systèmes électriques. En 2014 et en 2015 des discussions ont eu lieu au sein du SC 45A de l'IEC pour décider de la façon et de l'endroit pour établir les exigences générales portant sur la conception des systèmes électriques. Les experts du SC 45A de l'IEC ont recommandé que, pour établir des exigences générales pour les systèmes électriques, une norme indépendante soit développée au même niveau que l'IEC 61513. Le projet IEC 63046 a été lancé pour atteindre cet objectif. Comme la norme IEC 63046 est publiée, à partir de maintenant la présente NOTE 2 de l'introduction sera plus intégrée dans les normes nouvellement publiées.

CENTRALES NUCLÉAIRES DE PUISSANCE – SYSTÈME D'ALIMENTATION ÉLECTRIQUE – EXIGENCES GÉNÉRALES

1 Domaine d'application

1.1 Généralités

Le présent document:

- fournit des exigences et des recommandations pour l'ensemble du système d'alimentation électrique. Il couvre en particulier les systèmes d'alimentation électrique interruptibles et sans interruption, y compris les systèmes alimentant les systèmes d'I&C;
- est en conformité et cohérence avec l'IEC 61513. Tout comme l'IEC 61513, le présent document souligne également la nécessité de disposer d'exigences complètes et précises, issues des objectifs de sûreté de la centrale. Ces exigences constituent les conditions préalables à l'établissement des exigences relatives à l'architecture d'ensemble du système d'alimentation électrique, puis à l'établissement de celles portant sur les sous-systèmes d'alimentation électrique;
- est considéré conjointement avec l'IEC 61513 et au même niveau. Ces deux normes fournissent un cadre complet établissant des exigences générales pour les systèmes d'instrumentation, de contrôle-commande et d'alimentation électrique des centrales nucléaires.

Le présent document établit:

- la spécification et les exigences de haut niveau pour la mise en œuvre d'un système d'alimentation électrique approprié dans une CNP, système qui est le support des systèmes importants pour la sûreté des réacteurs. Il permet également la production d'énergie électrique, fournissant la puissance active et réactive et l'inertie électromécanique du réseau de distribution;
- les relations entre:
 - les exigences de sûreté de la centrale et l'architecture de l'ensemble du système d'alimentation électrique et de ses sous-systèmes (voir Figure 1), y compris:
 - a) la contribution à la défense en profondeur de la centrale;
 - b) les dispositions relatives à l'indépendance et à la redondance;
 - les exigences électriques et l'architecture du système d'alimentation électrique et de ses sous-systèmes;
 - les exigences fonctionnelles et l'architecture du système d'alimentation électrique et de ses sous-systèmes;
 - les exigences liées à la stratégie de maintenance et l'architecture du système d'alimentation électrique et de ses sous-systèmes;
- la conception des sous-systèmes d'alimentation électrique (interruptibles et sans interruption, par exemple);
- les exigences relatives aux systèmes supports du système électrique (CVC, I&C, etc.);
- le cycle de vie du système d'alimentation électrique.

Le présent document ne couvre pas la spécification:

- des systèmes d'I&C;
- des lignes de transport raccordées aux postes extérieurs;
- des exigences relatives aux équipements électriques, déjà définies dans les normes IEC industrielles;
- de l'alimentation des systèmes de sécurité (par exemple clôtures, systèmes de surveillance, contrôle d'entrée);
- des éclairages et des prises de courant.

Le présent document ne tient pas compte des exigences de production électrique.

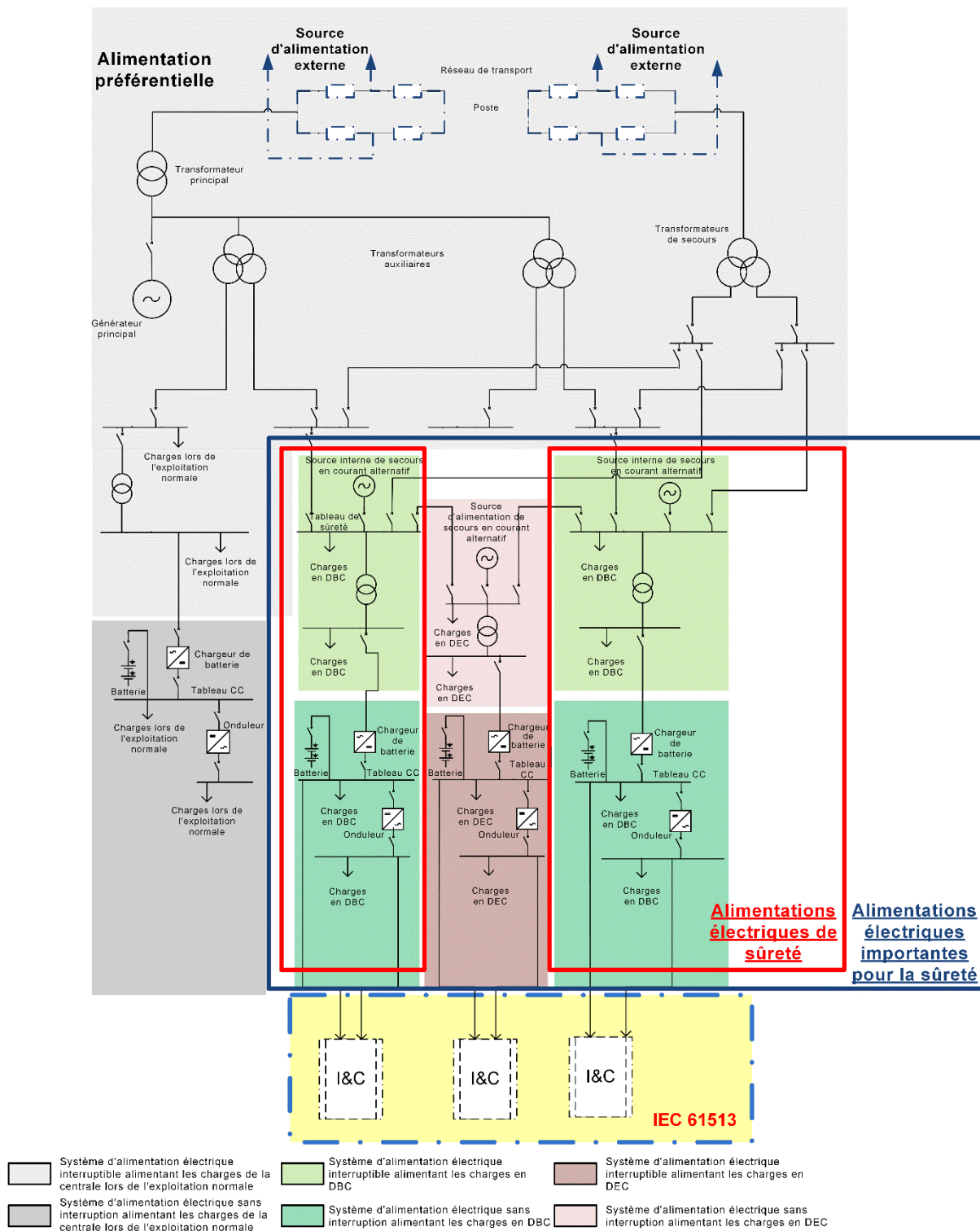


Figure 1 – Domaine d'application du présent document

NOTE La Figure 1 est issue de la figure 3 de l'AIEA SSG-34:2016, adaptée conformément au domaine d'application.

Cette figure fournit seulement un exemple. Différentes dispositions des tableaux, générateurs et branchement peuvent satisfaire aux Prescriptions SSR-2/1 de l'AIEA. De plus, de nombreux éléments du système de la centrale, tels que les tableaux non importants pour la sûreté et les systèmes d'alimentation en courant continu n'apparaissent pas. Le seul objectif de cette figure est de représenter les relations entre les éléments des systèmes de la centrale qui sont du domaine du classement de sûreté et des et du système d'alimentation préférentielle. Les éléments du système d'alimentation préférentielle qui ne sont pas compris dans les limites du système d'alimentation électrique important pour la sûreté sont hors du domaine du classement de sûreté de la centrale. Les éléments système appartenant aux systèmes d'alimentation électrique importants pour la sûreté seront différents suivant la conception de la centrale et les méthodes de classement appliquées par les différents États. Les méthodes de classement sont couvertes par l'IEC 61226. Certaines conceptions de centrale n'exigent pas nécessairement sources de secours internes de sûreté. Toutes les centrales nucléaires de puissance sont supposées avoir des alimentations électriques de sûreté en courant continu.

1.2 Application: nouvelles centrales et centrales existantes

Le présent document s'applique au système d'alimentation électrique des nouvelles centrales nucléaires de puissance ainsi qu'à l'amélioration ou la rénovation des centrales existantes.

Pour les centrales existantes, seul un sous-ensemble des exigences peut être applicable. Il convient de définir ce sous-ensemble au début de chaque projet.

1.3 Cadre général

Le présent document comprend six articles normatifs (dont une vue d'ensemble est fournie par la Figure 2):

- l'Article 6 traite de l'identification des exigences;
- l'Article 7 traite de la conception de l'architecture électrique;
- l'Article 8 traite des exigences relatives aux sous-systèmes;
- l'Article 9 traite de la vérification ;
- l'Article 10 traite de l'intégration et de la mise en service globale ;
- l'Article 11 traite de l'exploitation et de la maintenance d'ensemble.

1.4 Interaction avec les normes de second niveau

Le présent document doit permettre à un concepteur électrique d'établir la liste des exigences applicables à la conception.

Il prévoit également les différentes dispositions applicables aux différentes exigences.

Ces dispositions s'appliqueront aux différents types de réseaux électriques (sous-systèmes):

- alimentation interruptible en courant alternatif;
- alimentation sans interruption.

En outre, d'autres normes transverses de second niveau définiront des exigences applicables à la définition de l'architecture électrique.

Les normes nucléaires liées aux dispositions de sûreté (classement de sûreté, séparation, qualification ou essais de surveillance, etc.) sont vues comme des données d'entrée du présent document.

6 Architecture du système d'alimentation électrique: Identification des exigences		
6.2 Exigences de sûreté 6.2.1 Défense en profondeur 6.2.2 Application de SF 6.2.3 Gestion des défaillances de cause commune 6.2.4 Conditions de perte des sources d'alimentations externes 6.2.5 Conditions de perte totale des alimentations électriques 6.2.6 Conditions de perte d'alimentation électrique 6.2.7 Prise en compte des agressions internes et externes 6.2.8 Exigences de sécurité nucléaire 6.2.9 Exigences de classement 6.2.10 Exigences probabilistes	6.3 Exigences électriques 6.3.1 Exigences coordonnées avec l'opérateur du réseau de transport 6.3.2 Perturbations électriques	
	6.4 Exigences fonctionnelles et de performances	
	6.5 Exigences de maintenance	
7 Architecture globale du système d'alimentation électrique et approche structurée: Conception de l'architecture électrique		
7.2 Disposition relative à la conception de sûreté 7.2.1 Défense en profondeur du système d'alimentation électrique 7.2.2 SF du système d'alimentation électrique 7.2.3 DCC du système d'alimentation électrique 7.2.4 Dispositions pour faire face à la perte des alimentations externes 7.2.5 Dispositions pour faire face à la perte totale des alimentations électriques 7.2.6 Dispositions visant à éviter ou à réduire la perte d'alimentation électrique 7.2.7 Considérations relatives au classement 7.2.7.2 Qualification 7.2.7.3 Essais de surveillance 7.2.8 Dispositions visant à atteindre l'objectif de fiabilité du système d'alimentation électrique	7.3 Disposition relative à la conception électrique 7.3.2 Coordination avec le réseau 7.3.3 Conception conforme aux exigences électriques 7.4 Dispositions fonctionnelles et de performances relatives à la conception 7.4.2 Etudes du système d'alimentation électrique 7.4.3 Conception du système d'alimentation électrique interruptible 7.4.4 Conception du système d'alimentation électrique sans interruption 7.5 Maintenance 7.5.1 Considérations relatives à la maintenance de la conception électrique	7.6 Systèmes d'alimentation électrique partagés à unités multiples 7.7 Implantation du système électrique 7.8 Systèmes supports et associés au système d'alimentation électrique 7.10 Programme d'ensemble d'assurance qualité 7.10 Exigences relatives à la documentation produite
8 Exigences relatives aux sous-systèmes		
8.1 Exigences du système d'alimentation électrique 8.2 Spécification de conception des équipements 8.3 Exigences relatives aux équipements	8.4 Système d'alimentation électrique interruptible en courant alternatif 8.5 Système d'alimentation électrique sans interruption CA/CC	8.6 Coordination et interaction avec le réseau 8.7 Mise à la terre
9 Vérification de l'architecture du système d'alimentation électrique		
9.2 Vérification des modèles et outils informatisés	9.3 Exigences d'essai	
10 Intégration et mise en service globales		
10.2 Exigences	10.3 Documentation produite	
11 Exploitation et maintenance d'ensemble		
11.2 Exigences	11.3 Documentation produite	
12 Plan d'assurance qualité système		
12.2 Plan de vérification système	12.3 Plan de gestion de configuration système	12.4 Procédure de résolution des défauts

Figure 2 – Architecture du système d'alimentation électrique

2 Références normatives

Les documents suivants cités dans le texte constituent, pour tout ou partie de leur contenu, des exigences du présent document. Pour les références datées, seule l'édition citée s'applique. Pour les références non datées, la dernière édition du document de référence s'applique (y compris les éventuels amendements).

IEC 60038:2009, *Tensions nominales de l'IEC*

IEC 60671, *Centrales nucléaires de puissance – Systèmes d'instrumentation et de contrôle-commande importants pour la sûreté – Essais de surveillance*

IEC 60709:2018, *Centrales nucléaires de puissance – Systèmes d'instrumentation, de contrôle-commande et d'alimentation électrique importants pour la sûreté – Séparation*

IEC/IEEE 60780-323, *Installations nucléaires – Equipements électriques importants pour la sûreté – Qualification*

IEC 60964:2018, *Centrales nucléaires de puissance – Salles de commande - Conception*

IEC/IEEE 60980-344, *Installations nucléaires – Equipements importants pour la sûreté – Qualification sismique*

IEC 61225, *Centrales nucléaires de puissance – Systèmes d'instrumentation, de contrôle-commande et d'alimentation électrique – Exigences pour les systèmes d'alimentation en courant alternatif et en courant continu statiques sans interruption*

IEC 61226:2020, *Centrales nucléaires de puissance – Systèmes d'instrumentation, de contrôle-commande et d'alimentation électrique importants pour la sûreté – Catégorisation des fonctions et classement des systèmes*

IEC 61513:2011, *Centrales nucléaires de puissance – Instrumentation et contrôle-commande importants pour la sûreté – Exigences générales pour les systèmes*

IEC 62671, *Centrales nucléaires de puissance – Instrumentation et contrôle-commande importants pour la sûreté – Sélection et utilisation des appareils numériques à fonctionnalités limitées*

IEC 62808, *Centrales nucléaires de puissance – Systèmes d'instrumentation et de contrôle-commande importants pour la sûreté – Conception et qualification des appareils d'isolement*

IEC 62855:2016, *Centrales nucléaires de puissance – Systèmes d'alimentation électrique – Analyse des systèmes d'alimentation électrique*

IEC 62859, *Centrales nucléaires de puissance – Systèmes d'instrumentation et de contrôle-commande – Exigences pour coordonner sûreté et cybersécurité*

IEC 63272, *Installations nucléaires – Systèmes d'alimentation électriques – Systèmes d'alimentation électrique en courant continu interruptibles*

ISO 9001:2015, *Systèmes de management de la qualité – Exigences*

Guide de sûreté de l'AIEA N° GS-G-3.1:2006, *Application of the management System for facilities and activities* (disponible en anglais seulement)

Normes de sûreté de l'AIEA, Prescriptions N° GS-R partie 2 :2016, *Direction et gestion pour la sûreté*

Guide de sûreté SSG-34 de l'AIEA:2016, *Design of electrical power systems in Nuclear Power Plants* (disponible en anglais seulement)