



ISO/IEC TS 11801-9903

Edition 1.0 2021-03

TECHNICAL SPECIFICATION



**Information technology – Generic cabling systems for customer premises –
Part 9903: Matrix modelling of channels and links**

INTERNATIONAL
ELECTROTECHNICAL
COMMISSION

ICS 35.200

ISBN 978-2-8322-9498-7

Warning! Make sure that you obtained this publication from an authorized distributor.

CONTENTS

FOREWORD.....	5
INTRODUCTION.....	7
1 Scope.....	9
2 Normative references	9
3 Terms, definitions and abbreviated terms	9
3.1 Terms and definitions.....	9
3.2 Symbols and abbreviated terms	10
4 Matrix model.....	11
5 Matrix definition	11
5.1 General.....	11
5.2 Quadriports	11
5.3 Matrix port definition for a two-pair system representative for modelling purposes.....	11
5.4 Operational scattering matrix	12
5.5 General naming convention.....	12
5.6 S-matrix	13
5.7 Passivity	13
5.8 Operational reflection loss matrix.....	14
5.9 Transmission matrix (T-matrix).....	14
5.10 S-matrix of cabling	14
6 Calculation with matrices using limit lines	15
7 Extracting limit lines	15
8 General case using mixed-mode matrices.....	16
8.1 General.....	16
8.2 M-parameters	16
9 Submatrix DD	17
9.1 General.....	17
9.2 Equations to extract the cabling limit lines	17
9.2.1 General	17
9.2.2 Operational attenuation	17
9.2.3 Near-end crosstalk	17
9.2.4 Attenuation to far-end crosstalk ratio	17
9.2.5 Reflection (RL)	18
10 Component values to be used as input to the model	18
10.1 General.....	18
10.2 Cable	19
10.2.1 General	19
10.2.2 Wave attenuation.....	19
10.2.3 Near-end crosstalk	19
10.2.4 Far-end crosstalk.....	19
10.2.5 Reflection	20
10.3 Connections.....	21
10.3.1 General	21
10.3.2 As a point source of disturbance.....	21
10.3.3 As a transmission line.....	21
11 Submatrices CC, CD and DC.....	22

11.1	General.....	22
11.2	Submatrix CD	22
11.3	Submatrix DC	22
11.4	Submatrix CC	22
Annex A (informative) Matrix conversion formulas.....		23
A.1	Overview.....	23
A.2	Formulas.....	23
A.2.1	Mixed-mode to T-matrix	23
A.2.2	T-matrix to M-matrix	23
A.2.3	Conversion matrices	23
Annex B (normative) Channel and permanent link models for balanced cabling		25
B.1	General.....	25
B.2	Insertion loss	25
B.2.1	Insertion loss of the channel configuration	25
B.2.2	Insertion loss of the permanent link configurations.....	26
B.2.3	Assumptions for insertion loss	26
B.3	NEXT.....	27
B.3.1	NEXT of the channel configuration.....	27
B.3.2	NEXT of the permanent link configurations	27
B.3.3	Assumptions for NEXT.....	28
B.4	ACR-F	31
B.4.1	ACR-F of the channel configuration	31
B.4.2	ACR-F for the permanent link configurations.....	31
B.4.3	Assumptions for ACR-F	32
B.5	No Return loss.....	32
B.5.1	Return loss of the channel and permanent link configurations.....	32
B.5.2	Assumptions for the return loss circuit analysis method	33
B.6	PS ANEXT link modelling.....	36
B.6.1	General	36
B.6.2	PS ANEXT between connectors.....	36
B.6.3	PS ANEXT between cable segments	36
B.6.4	Principles of link modelling	36
B.7	PS AACR-F link modelling	37
B.7.1	General	37
B.7.2	PS AFEXT between connectors	37
B.7.3	PS AACR-F between cable segments	37
B.7.4	Principles of link modelling	37
B.7.5	Impact of PS AACR-F in channels and links with substantially different lengths	38
B.8	Component assumptions for modelling purposes.....	41
Annex C (informative) Terms and definitions.....		43
C.1	Comparison of namings	43
C.2	General.....	44
C.3	Background of terms and definitions	44
C.3.1	Operational attenuation	44
C.3.2	Operational transfer function (T_B).....	46
C.3.3	Image or wave transfer function (T)	46
C.3.4	Insertion transfer function of a two-port (T_{BI}).....	46

C.3.5	Insertion transfer function (T_{BI}) measured with a vector network analyser	46
C.3.6	Operational reflection loss transfer function ($T_{ref} = S_{ref}$) of a junction.....	46
Bibliography.....		48
Figure 1	– Link configurations of ISO/IEC 11801-1.....	7
Figure 2	– Matrix definition of a 4-port two twisted pair system	12
Figure 3	– Operational scattering parameters example from port 2	12
Figure 4	– Transmission matrix concatenation showing an example of a 2-connector permanent link	14
Figure 5	– Graphical example of a NEXT calculation showing statistical results (red) and final calculation (blue).....	16
Figure 6	– One pair M-matrix showing the submatrices	16
Figure 7	– 100 m cable return loss without reflection at both ends	20
Figure 8	– 100 m cable return loss with a reflection of 0,03 at both ends (6 Ω mismatch, ~23 dB return loss at 1 MHz).....	21
Figure A.1	– X matrices	24
Figure B.1	– Example of computation of NEXT with higher precision.....	28
Figure B.2	– Example of increased impact of PS AFEXT.....	38
Figure C.1	– Defining the operational attenuation and the operational transfer functions of a two-port	45
Figure C.2	– Defining the reflection transfer functions and the return loss of a junction.....	47
Table 1	– All four ports operational scattering parameter definition	12
Table 2	– Equal S-parameters for real components.....	13
Table B.1	– Insertion loss deviation	26
Table B.2	– Modelling assumptions for cable transmission parameters	41
Table B.3	– Model input assumptions used in the statistical calculation (Class E _A).....	41
Table B.4	– Model input assumptions used in the statistical calculation (Class F _A).....	42
Table C.1	– Comparison of naming in ISO/IEC 11801-1 and ISO/IEC TS 11801-9903.....	43

INFORMATION TECHNOLOGY – GENERIC CABLING SYSTEMS FOR CUSTOMER PREMISES –

Part 9903: Matrix modelling of channels and links

FOREWORD

- 1) ISO (the International Organization for Standardization) and IEC (the International Electrotechnical Commission) form the specialized system for worldwide standardization. National bodies that are members of ISO or IEC participate in the development of International Standards through technical committees established by the respective organization to deal with particular fields of technical activity. ISO and IEC technical committees collaborate in fields of mutual interest. Other international organizations, governmental and non-governmental, in liaison with ISO and IEC, also take part in the work.
- 2) The formal decisions or agreements of IEC and ISO on technical matters express, as nearly as possible, an international consensus of opinion on the relevant subjects since each technical committee has representation from all interested IEC and ISO National bodies.
- 3) IEC and ISO documents have the form of recommendations for international use and are accepted by IEC and ISO National bodies in that sense. While all reasonable efforts are made to ensure that the technical content of IEC and ISO documents is accurate, IEC and ISO cannot be held responsible for the way in which they are used or for any misinterpretation by any end user.
- 4) In order to promote international uniformity, IEC and ISO National bodies undertake to apply IEC and ISO documents transparently to the maximum extent possible in their national and regional publications. Any divergence between any IEC and ISO document and the corresponding national or regional publication shall be clearly indicated in the latter.
- 5) IEC and ISO do not provide any attestation of conformity. Independent certification bodies provide conformity assessment services and, in some areas, access to IEC and ISO marks of conformity. IEC and ISO are not responsible for any services carried out by independent certification bodies.
- 6) All users should ensure that they have the latest edition of this document.
- 7) No liability shall attach to IEC and ISO or their directors, employees, servants or agents including individual experts and members of its technical committees and IEC and ISO National bodies for any personal injury, property damage or other damage of any nature whatsoever, whether direct or indirect, or for costs (including legal fees) and expenses arising out of the publication, use of, or reliance upon, this ISO/IEC document or any other IEC and ISO documents.
- 8) Attention is drawn to the Normative references cited in this document. Use of the referenced publications is indispensable for the correct application of this document.
- 9) Attention is drawn to the possibility that some of the elements of this ISO/IEC document may be the subject of patent rights. IEC and ISO shall not be held responsible for identifying any or all such patent rights.

ISO/IEC TS 11801-9903 has been prepared by subcommittee 25: Interconnection of information technology equipment, of ISO/IEC joint technical committee 1: Information technology. It is a Technical Specification.

This first edition of ISO/IEC TS 11801-9903 cancels and replaces ISO/IEC TR 11801-9903 published in 2015. This edition constitutes a technical revision.

This edition includes the following significant technical changes with respect to the previous edition:

- a) the addition of further clarifications of the relations of parameters described in this edition and referenced analogous parameters in IEC TR 62152, e.g. operational attenuation versus operational transfer loss;
- b) the introduction and description of the higher order M-parameters 8×8 matrix of mixed-mode parameters, which includes the 4×4 submatrix of 4-port differential-mode-to-differential-mode (DD) parameters, among three other submatrices of mixed-mode parameters;
- c) Annex A, matrix conversion formulas, covers up to 16-port parameters matrices;
- d) the expanded Annex B description of example calculations for channel and permanent link, and updated component parameter tables.

The list of all currently available parts of the ISO/IEC 11801 series, under the general title *Information technology – Generic cabling for customer premises*, can be found on the IEC and ISO web sites.

The text of this Technical Specification is based on the following documents:

Draft	Report on voting
JTC1-SC25/2959/DTS	JTC1-SC25/2993/RVDTS

Full information on the voting for its approval can be found in the report on voting indicated in the above table.

The language used for the development of this Technical Specification is English.

This document was drafted in accordance with ISO/IEC Directives, Part 2, and developed in accordance with ISO/IEC Directives, Part 1, available at www.iec.ch/members_experts/refdocs.

IMPORTANT – The 'colour inside' logo on the cover page of this publication indicates that it contains colours which are considered to be useful for the correct understanding of its contents. Users should therefore print this document using a colour printer.

INTRODUCTION

The pass/fail limits for defined channel and permanent link cabling configurations have an implicit impact on the component limits for the cabling components used. The channel configurations and the link configurations are specified in ISO/IEC 11801-1:2017, Clause 6 and Clause 7, respectively.

The permanent link configurations, which represent the fixed portion of the cabling, have two possible topologies:

- a connection plus a segment of cable plus a connection (2-connector topology);
- a connection plus a segment of cable plus a connection plus another segment of cable plus another connection (3-connector topology).

The link configurations of ISO/IEC 11801-1 are shown in Figure 1.

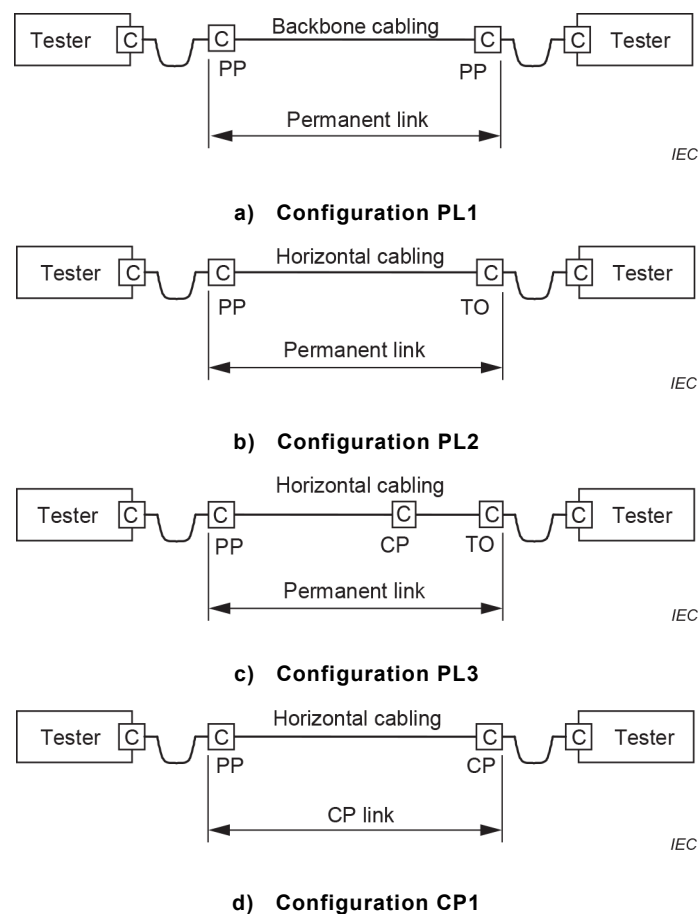


Figure 1 – Link configurations of ISO/IEC 11801-1

This document includes models and assumptions, which support pass/fail limits for the channel and permanent link test configurations in ISO/IEC 11801-1. These are based on the performance requirements of cable and connecting hardware as specified in IEC standards.

This document provides reasonable assurance that a channel created by adding compliant patch cords to a previously certified permanent link will meet the applicable channel performance limits.

Over the years the frequencies of the classes increased, but the theory for calculating the limits stayed the same. Especially the higher order effects had to be considered and in the end only by doing a Monte Carlo calculation, assuming that not all components would be at the limit at the same time, allowed compliance to be proved.

The model uses two pairs for all calculations. The limits are equal for pairs or pair combinations but in reality measured values could be different. If results are required that need more pairs to be considered, then this calculation can be done based on the results from multiple two-pair calculations with appropriate inputs (worst case). An example of such a calculation is the power sum and average limit lines for four pairs.

Symmetry and additional contributions that result from unbalanced signals and differential-to-common and common-to-differential mode coupling are included in this document by increasing the matrix size.

For details on the naming of transmission parameters, see Clause 3 and Clause C.1.

INFORMATION TECHNOLOGY – GENERIC CABLING SYSTEMS FOR CUSTOMER PREMISES –

Part 9903: Matrix modelling of channels and links

1 Scope

This part of ISO/IEC 11801, which is a Technical Specification, establishes a matrix-model for formulating limits for mixed-mode parameters within and between two pairs of balanced cabling. This is for the purpose of supporting new, improved balanced cabling channel and link specifications.

2 Normative references

The following documents, in whole or in part, are normatively referenced in this document and are indispensable for its application. For dated references, only the edition cited applies. For undated references, the latest edition of the referenced document (including any amendments) applies.

ISO/IEC 11801-1, *Information technology – Generic cabling for customer premises – Part 1: General requirements*